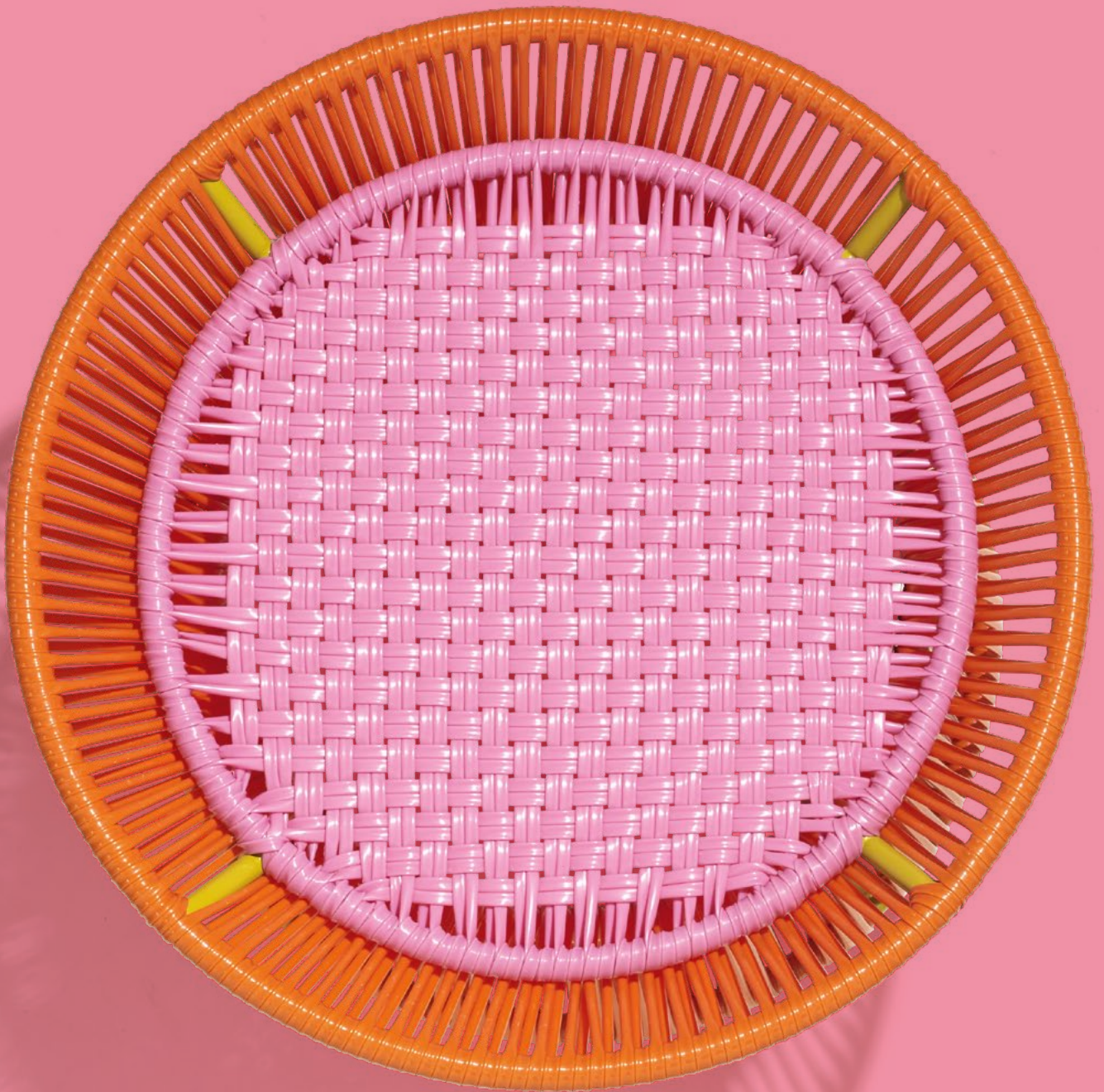


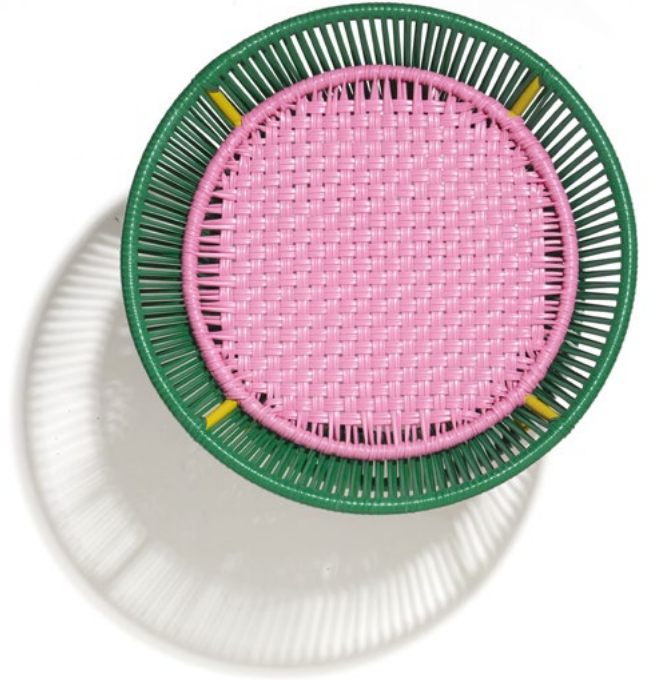
CARIBE Basket Table



ames

CARIBE

Basket Table



Product type

Basket Table

Materials

Galvanized and powder coated tubular steel, PVC strings made from recycled plastic

Colours

signal blue/turquoise/black
turquoise/emerald green/black
orange/bubblegum rose/curry yellow
emerald green/bubblegum rose/curry yellow

Country of origin

Colombia

Place of use

Commercial and Residential

Environment

Indoor and outdoor

Customise product

Please contact
shop@amesliving.de
for bespoke version

Design and inspiration

The charming Caribe Basket Table is a colorful companion for seating arrangements inside and outdoors. It's part of the Caribe collection, designed by Sebastian Herkner for ames. The German designer visited Colombia together with ames founder Ana Maria Calderon-Kayser and translated the vibrancy and spirit of the country's people and traditions into joyful, modern furniture pieces defined by clean lines, strong colours and the hand-woven webbing.

About the designer

German designer Sebastian Herkner is a long-term collaborator of ames and has visited Colombia multiple times to experience the country's cities, nature and people first hand. He also visited many of the ateliers that ames has partnered with to learn about the unique traditional crafts of Colombia's regions. A sought-after contemporary designer and recipient of many industry awards, he has worked with many international design brands, creating intriguing pieces that showcase his intuition for interesting material, colour and texture combinations.

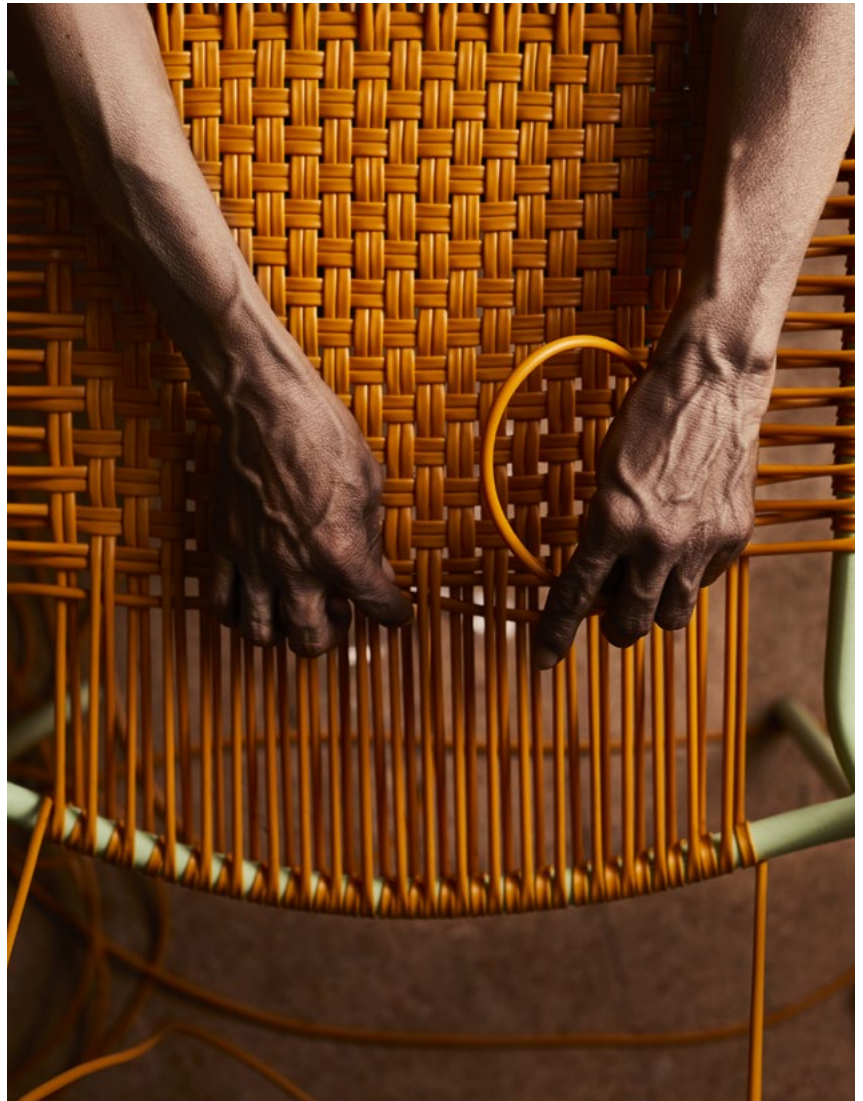
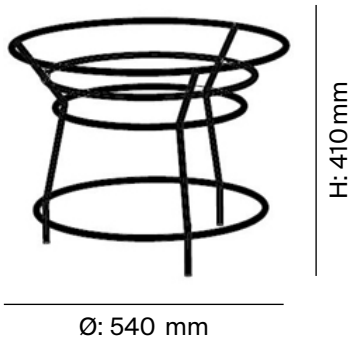
CARIBE

Basket Table



CARIBE Basket Table

Technical Specifications



Dimensions (mm)

Height: 410

Ø: 540

Packaging dimensions

(H x W x D) (mm)

538 x 538 x 550

Item weight (kg)

4

Craft and manufacturing

Each basket is made in Santa Marta, a city on the Caribbean coast of Colombia, by local craftspeople. They weave the PVC strings, which are made from recycled plastic, around the tubular steel frame. The weaving technique the artesanos and artesanas use is called Momposino, a traditional method known for intricate patterns. Just the preparation of all the materials takes ten days, while the production of each table takes two days.

Care instructions

Wipe clean with a damp cloth (do not use scratchy materials like a steel scourer) and gentle soap. You can also hose them down with water. To protect the colours, avoid exposing the product to direct sunlight over long periods and store indoors during winter. Fitted cover sold separately. If the product is exposed to sea air, wipe the frame regularly with a damp cloth.

CARIBE Basket Table



signal blue/
turquoise/black
01ACABT-B



turquoise/
emerald green/black
01ACABT-C



orange/
bubblegum rose/curry yellow
01ACABT-E



emerald green/
bubblegum rose/curry yellow
01ACABT-F