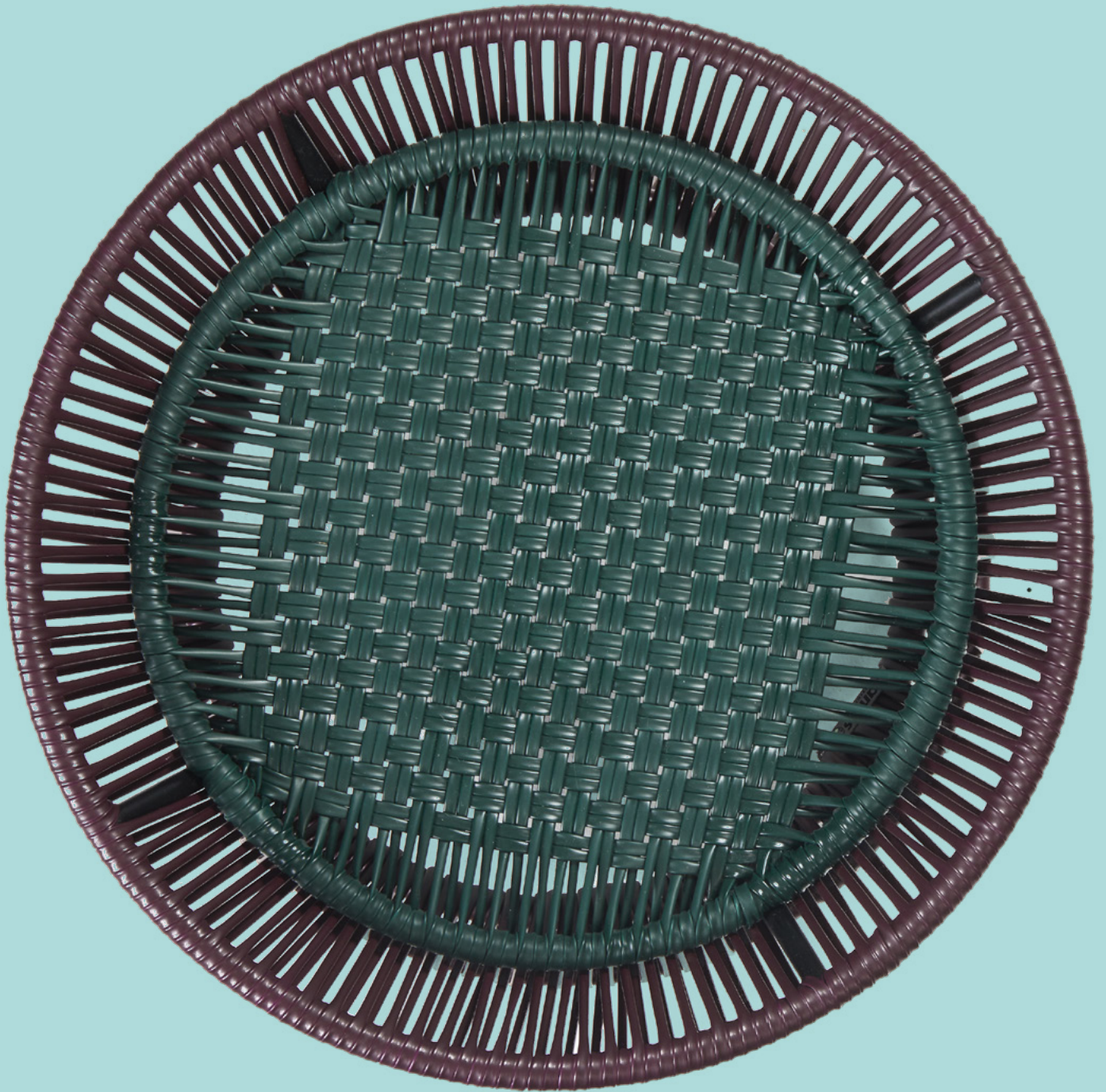


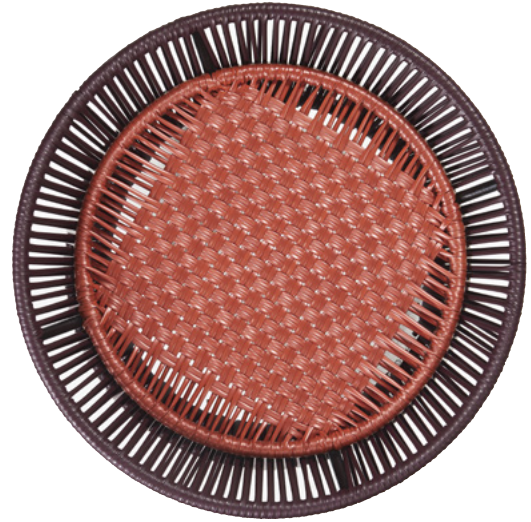
CARIBE CHIC Basket Table



ames

CARIBE CHIC

Basket Table



Product type

Basket Table

Materials

Galvanized and powder coated tubular steel, PVC strings made from recycled plastic

Colours

moss green/copper/black
dark blue/copper/black
black red/moss green/black
black red/copper/black
copper/black red/black
moss green/dark blue/black
black red/moss green/copper
moss green/dark blue/copper

Country of origin

Colombia

Place of use

Commercial and Residential

Environment

Indoor and outdoor

Customise product

Please contact
shop@amesliving.de
for bespoke version

Design and inspiration

The Caribe Chic Basket Table is an elegant design by Sebastian Herkner and can be used inside and outdoors. It's part of our Caribe Chic collection, featuring an intricate hand-woven webbing in contrasting earthy, muted shades. The pieces and colours are inspired by the incredible nature of the Colombian Huila region where the serene Tatacoa desert meets the powerful Rio Magdalena.

About the designer

German designer Sebastian Herkner is a long-term collaborator of ames and has visited Colombia multiple times to experience the country's cities, nature and people first hand. He also visited many of the ateliers that ames has partnered with to learn about the unique traditional crafts of Colombia's regions. A sought-after contemporary designer and recipient of many industry awards, he has worked with many international design brands, creating intriguing pieces that showcase his intuition for interesting material, colour and texture combinations.

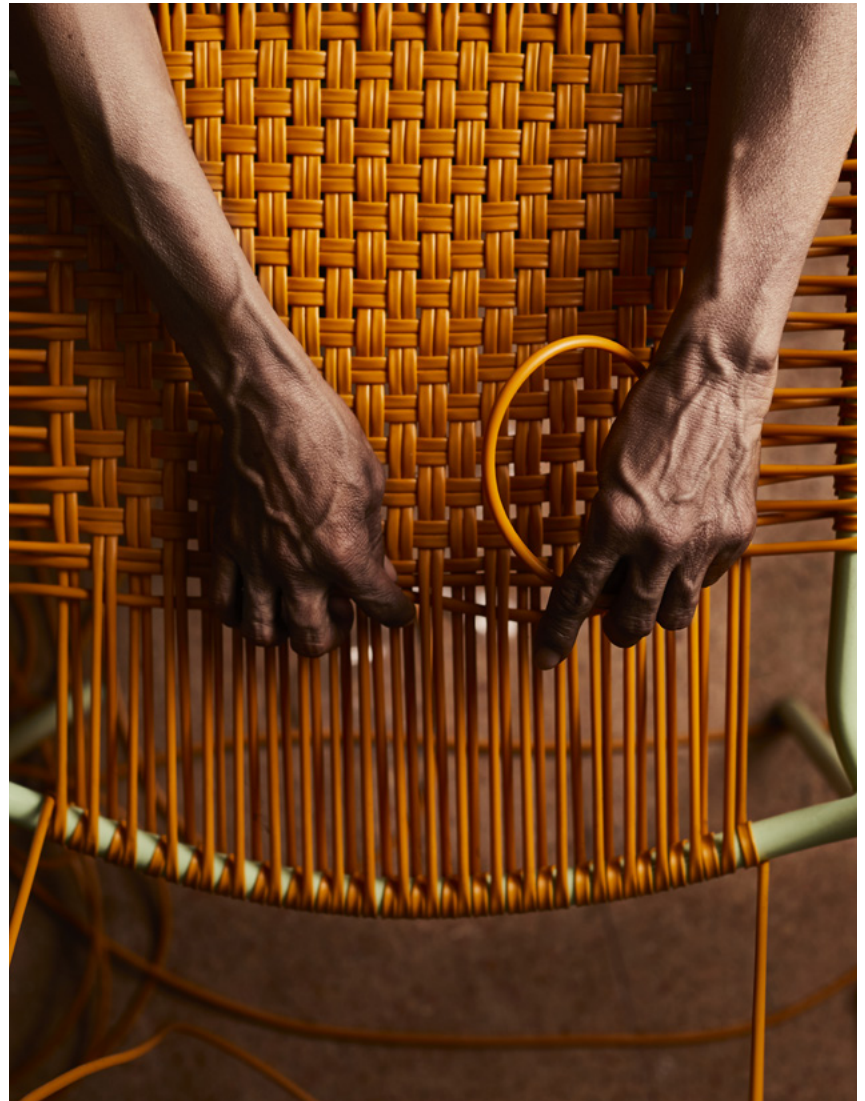
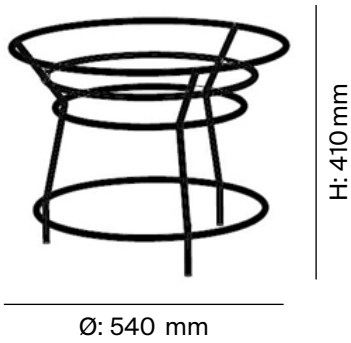
CARIBE CHIC

Basket Table



CARIBE CHIC Basket Table

Technical Specifications



Dimensions (mm)

Height: 410

Ø: 540

Packaging dimensions

(H x W x D) (mm)

538 x 538 x 550

Item weight (kg)

4

Craft and manufacturing

Each table is made in Santa Marta, a city on the Caribbean coast of Colombia, by local craftspeople. They weave the PVC strings, which are made from recycled plastic, around a powder coated tubular steel frame. The weaving technique the artesanos and artesanas use is called Momposino, a traditional method known for intricate patterns. Just the preparation of all the materials takes ten days, while the production of each table takes two days.

Care instructions

Wipe clean with a damp cloth (do not use scratchy materials like a steel scourer) and gentle soap. You can also hose them down with water. To protect the colours, avoid exposing the product to direct sunlight over long periods and store indoors during winter. Fitted cover sold separately. If the product is exposed to sea air, wipe the frame regularly with a damp cloth.

CARIBE CHIC

Basket Table



moss green/copper/black
01ACABT-I



dark blue/copper/black
01ACABT-J



black red/moss green/black
01ACABT-M



black red/copper/black
01ACABT-N



copper/black red/black
01ACABT-O



moss green/dark blue/black
01ACABT-P



black red/moss green/copper
01ACABT-Q



moss green/dark blue/copper
01ACABT-R