

CARIBE NATURAL Basket Table



ames

CARIBE NATURAL

Basket Table



Product type

Basket Table

Materials

Wicker from Bejuco roots,
Galvanized and powder
coated tubular steel frame

Colours

copper
black
yellow

Country of origin

Colombia

Place of use

Commercial and
Residential

Environment

Indoor

Customise product

Please contact
shop@amesliving.de
for bespoke versions

Design and inspiration

The Caribe Natural Basket Low Table is a design by Sebastian Herkner, featuring a beautiful wicker webbing. The shape of the table follows our popular Caribe and Caribe Chic pieces, while the beige hue of the natural material gives it a more subtle touch.

In Colombia, there's a long tradition of using the wicker to craft baskets for the arrieros, the coffee pickers, who use them to collect the beans on the plantations in the country's hinterlands.

"For Caribe, we've now chosen a natural wicker that has a long tradition in Colombian craftsmanship to create a collection that's clearly made for indoor spaces", says Sebastian Herkner.

About the designer

German designer Sebastian Herkner has been a friend of ames for many years and visited Colombia with our founder Ana Maria multiple times. These trips also offered him the chance to experience Colombia's nature, cities and way of life first hand. His experiences also informed the colour combinations and shapes of his designs for ames.

Sebastian studied product design at the Offenbach University of Art and Design. His intuition for materials, colours, textures and surfaces has made him a sought-after collaborator working with many international design brands. He's also known for his interior designs and creating unique exhibition spaces. His contributions to contemporary design have been honoured with numerous prizes, including the IF Award, the Elle Deco International Design Award and Maison et Objet's 'Designer of the Year' in 2019.

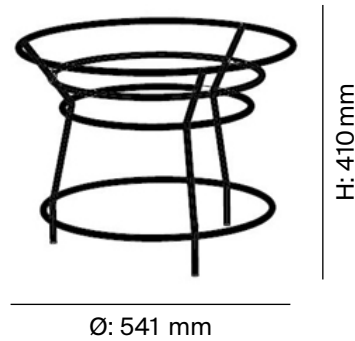
CARIBE NATURAL

Basket Table



CARIBE NATURAL Basket Table

Technical Specifications



Craft and manufacturing

The craftspeople in the ames ateliers use an exceptionally intricate weaving technique to create the Caribe Natural pieces. The result is a particularly dense webbing made from the roots of the Bejuco, which wraps around the seat, back or table base. This vine-like plant grows in the Eje Cafetero, the coffee-growing region of Colombia, where people use it to make baskets to collect coffee beans.

The plant's roots are dried in the sun and prepared for ten days to separate the bark from the inner, softer fibres. The artisans weave these fibres then by hand around the steel frame in a process that takes up to five days.

Care instructions

Wipe clean with a dry cloth, do not use chemical cleaners on the webbing. To protect the colours and materials, avoid exposing the product to direct sunlight over long periods. Protect the product with a cover or store it indoors during winter or harsh weather conditions. If the product is exposed to sea air, wipe the metal frame regularly with a damp cloth. Fitted cover sold separately.

Dimensions (mm)

Height: 410
Ø: 541

Packaging dimensions

(H × W × D) (mm)
550 × 550 × 550

Item weight (kg)

4

CARIBE NATURAL

Basket Table



copper
00ACNBT-A



black
00ACNBT-B



yellow
00ACNBT-C