

CARTAGENAS Reina Cocoon Chair



ames
vibrant living

CARTAGENAS

Reina Cocoon Chair



Product type

Reina Chair

Materials

Galvanized and powder coated tubular steel, PVC strings made from recycled plastic

Colours

black/black/black
coral/caramel brown/black
purple/pastel blue/black
purple/olive green/black
lilac/honey yellow/black

Country of origin

Colombia

Place of use

Commercial and
Residential

Environment

Indoor and outdoor

Customise product

Please contact
shop@amesliving.de
for bespoke version

Design and inspiration

A new dramatic statement piece joins the Cartagenas collection by Sebastian Herkner: the Reina Cocoon chair. Featuring a strong colour contrast and an oval-shaped, protective roof, the chair brings vibrancy and a touch of eccentricity to any outdoor space. Part throne, part beach chair, the piece will stand out on any poolside terrace, balcony or in the garden. 'Its unique character and bold colours make Reina a stunning eye-catcher', Sebastian says about his creation. This collection is an ode to Cartagena, the lively coastal metropolis on Colombia's Caribbean coast, a melting-pot, where Colombia's diverse ethnic communities live side-by-side, creating a city landscape where various cultural backgrounds merge with each other. 'The Reina cocoon chair works as a stand-alone accent piece. It's a perfect place for escaping and relaxing by oneself. By combining multiple models to a seating group, you can create an enticing setting for engaged conversations', he adds. The chair's name, Reina (Spanish for 'queen'), is another tribute to the city of Cartagena. In November, during the Fiestas Novembrinas, the people of Cartagena celebrate the country's independence with a lively carnival, parading the statues of pre-colonial Kings and Queens through the streets. The cocoon chair is available in five colour variations, including contrasting and monochrome versions.

About the designer

German designer Sebastian Herkner is a long-term collaborator of ames and has visited Colombia multiple times to experience the country's cities, nature and people first hand. He also visited many of the ateliers that ames has partnered with to learn about the unique traditional crafts of Colombia's regions. A sought-after contemporary designer and recipient of many industry awards, he has worked with many international design brands, creating intriguing pieces that showcase his intuition for interesting material, colour and texture combinations.

CARTAGENAS

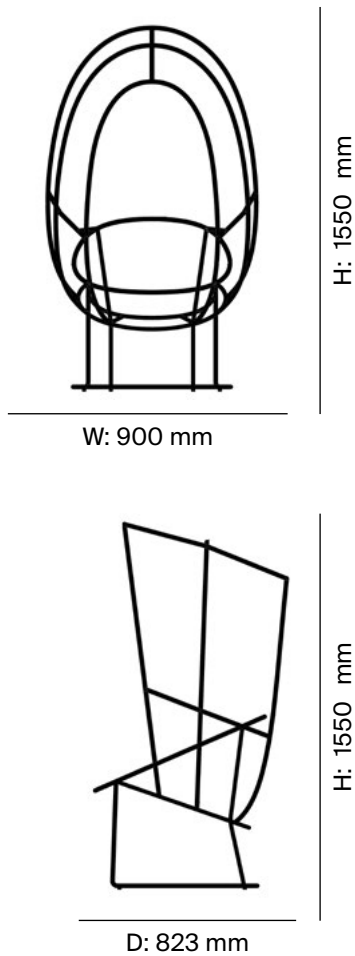
Reina Cocoon Chair



CARTAGENAS

Reina Cocoon Chair

Technical Specifications



Dimensions (mm)

Height: 1550
Width: 900
Depth: 823
Seat height: 430

Packaging dimensions

(H x W x D) (mm)
2000 x 900 x 900

Item weight (kg)

18

Craft and manufacturing

Like the rest of the Cartagenas collection – which includes dining chairs, lounge chairs, small tables and dining tables – the cocoon chair's webbing is hand-woven in ames ateliers in Bogota, Colombia's capital. The skilled craftspeople work with coloured strings made from recycled PVC and tie them artfully around a steel frame. It takes them 35 days to complete one chair.

Care instructions

Wipe clean with a damp cloth (do not use scratchy materials like a steel scourer) and gentle soap. You can also hose them down with water. To protect the colours, avoid exposing the product to direct sunlight over long periods and store indoors during winter. Fitted cover sold separately. If the product is exposed to sea air, wipe the frame regularly with a damp cloth.

CARTAGENAS

Reina Cocoon Chair



black/black/black
00ACARCO-A



coral/caramel brown/black
00ACARCO-B



purple/pastel blue/black
00ACARCO-C



purple/olive green/black
00ACARCO-D



lilac/honey yellow/black
00ACARCO-E

CARTAGENAS

Reina Chair Ltd. Edition



CARTAGENAS

Reina Chair Ltd. Edition



caramel brown/blue lila/
red ochre 00ACARCO-
LTD1



pastel blue/turquoise/
camouflage green
00ACARCO-LTD2