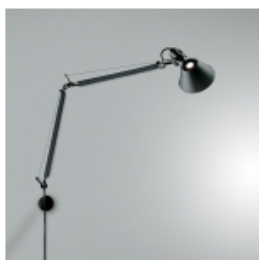


Tolomeo micro with "J" bracket wall

TOL1142

SPECIFICATIONS



Design By

Michele De Lucchi
Giancarlo Fassina

Collection

Design



Specifications

Lamp type	LED, INC
Lamp	MAX 60W E12/G16.5
Lamp Included	No
Control type	ON/OFF
Input Voltage	120V
Power consumption	N/A
Ballast	N/A

Colors & Finishes

Aluminum

Materials

•

Features & Accessories

- J-bracket mounting included

Tolomeo micro with "J" bracket wall

TOL1143

SPECIFICATIONS



Design By

Collection

Design



Specifications

Led type	10W Array
Power consumption	10.7W
CCT (Correlated Color Temperature)	3000K
CRI (Color Rendering Index)	>80
Lumens output	357Lm
Light output ratio	33.4Lm/W
Life expectancy	36000Hrs
Control type	
Input Voltage	120V
Driver	N/A

Colors & Finishes

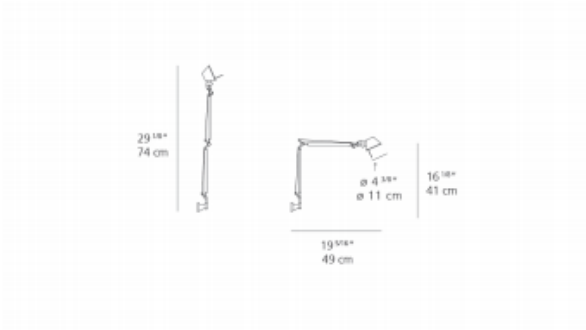
Materials

•

*Integrated light source

Features & Accessories

Dimensions



Packaging

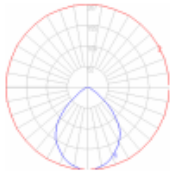
2 Boxes

1 X 8.27 in x 8.27 in x 20.08 in / 2.28 lbs - 21 cm x 21 cm x 51 cm / 1.036 kg

1 X 7.09 in x 6.69 in x 7.09 in / 1.1 lbs - 18 cm x 17 cm x 18 cm / .5 kg

Light distribution

DIRECT



Red = Max Cd. Through Vertical plane

Blue = Max Cd. Through Horizontal plane

Luminaire weight

1.8 lbs / .82 kg

Warranty

5 year Limited warranty

Last updated: 2015-12-14

We reserve the right to change specifications of our products.
For the latest product information please visit www.artemide.net
2015 © Artemide North America | All rights reserved

Artemide