

# R3-DS589

3" SQUARE ON SQUARE DIE CAST TRIM



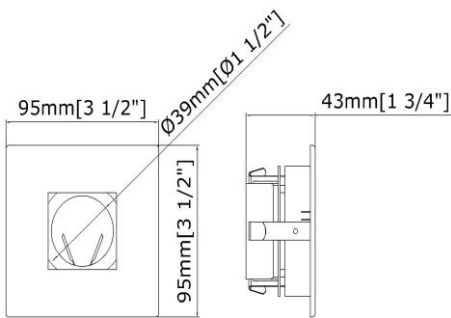
Project

Location

## PRODUCT DESCRIPTION

3" Square on square Die cast trim

To be used in low and line voltage applications.



**LAMPING:** Accommodates an MR-16 or GU-10 bulb. Please see housing for maximum wattage allowed according to selection.

Aluminum finish coated for abrasion resistance.

Steel metal clips secure to housing.

**DIAMETER:** 3 3/4"

**FINISHES:** Matte White (MW), Brushed Nickel (BN)

MODEL	FINISH
R3-DS589	MW
	BN

## COMPATIBLE HOUSINGS

Model	Description
R3-050	3" LOW VOLTAGE NON IC REMODEL HOUSING REMOTE TRANSFORMER (NOT SUPPLIED)50W MAX MR-16
R3-499AT	3" LOW VOLTAGE NON IC AIRTITE NEW CONSTRUCTION HOUSING 50W MAX MR-16
R3-499ICA	3" LOW VOLTAGE IC AIRTITE NEW CONSTRUCTION HOUSING 35W MAX MR-16
R3-499RAT	3" LOW VOLTAGE NON IC AIRTITE REMODEL HOUSING 50W MAX MR-16
R3-G19AT	3" LINE VOLTAGE NON IC AIRTITE NEW CONSTRUCTION HOUSING 50W MAX GU-10
R3-G19ICA	3" LINE VOLTAGE IC AIRTITE NEW CONSTRUCTION HOUSING 35W MAX GU-10
R3-G19RAT	3" LINE VOLTAGE NON IC AIRTITE REMODEL HOUSING 50W MAX GU-10

