

R4-493

4" ROUND ADJUSTABLE BAFFLE TRIM



Project

Location

PRODUCT DESCRIPTION

4" Round adjustable baffle trim

To be used in low and line voltage applications.

Trim will adjust 35 degrees from vertical position.

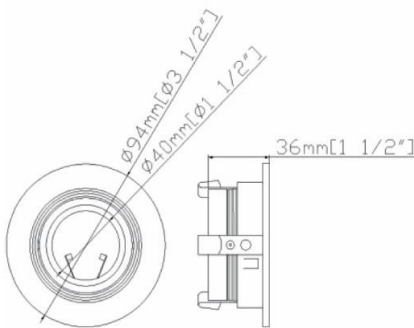
LAMPING: Accommodates an MR-16 or GU-10 bulb. Please see housing for maximum wattage allowed according to selection.

Painted finishes are powder coated for abrasion resistance, clear lens included. Steel metal clips secure to housing.

DIAMETER: 4 7/8"

FINISHES: Matte White (MW), Brushed Nickel w/ Clear (BC),

Brushed Nickel w/ Black (BNB), Bronze (BZ)



MODEL	FINISH
R4-493	MW
	BC
	BNB
	BZ

COMPATIBLE HOUSINGS

Model	Description
R4-050	4" LOW VOLTAGE NON IC REMODEL HOUSING REMOTE TRANSFORMER (NOT SUPPLIED) 50W MAX MR-16
R4-19AT	4" LINE VOLTAGE NON IC AIRTITE NEW CONSTRUCTION HOUSING 50W MAX R/PAR-20
R4-19RAT	4" LINE VOLTAGE NON IC AIRTITE REMODEL HOUSING 50W MAX R/PAR-20
R4-499AT	4" LOW VOLTAGE NON IC AIRTITE NEW CONSTRUCTION HOUSING 50W MAX MR-16
R4-499ICA	4" LOW VOLTAGE IC AIRTITE NEW CONSTRUCTION HOUSING 35W MAX MR-16
R4-499RAT	4" LOW VOLTAGE NON IC AIRTITE REMODEL HOUSING 50W MAX MR-16
R4-499SAT	4" LOW VOLTAGE NON IC AIRTITE NEW CONSTRUCTION HOUSING 50W MAX MR-16
R4-499SRAT	4" LOW VOLTAGE NON IC AIRTITE REMODEL HOUSING 50W MAX MR-16
R4-G19AT	4" LINE VOLTAGE NON IC AIRTITE NEW CONSTRUCTION HOUSING 50W MAX GU-10
R4-G19ICA	4" LINE VOLTAGE IC AIRTITE NEW CONSTRUCTION HOUSING 35W MAX GU-10
R4-G19RAT	4" LINE VOLTAGE NON IC AIRTITE REMODEL HOUSING 50W MAX GU-10
R4-G19ICAT-LED	4" LINE VOLTAGE IC AIRTITE NEW CONSTRUCTION HOUSING 8W MAX LED GU-10
R4-G19ICRAT-LED	4" LINE VOLTAGE IC AIRTITE REMODEL HOUSING 8W MAX LED GU-10