

R4-409

4" ROUND SHOWER TRIM



Project

Location

PRODUCT DESCRIPTION

4" Round shower trim with flat frosted glass (DAMP Location)

To be used in low and line voltage applications.

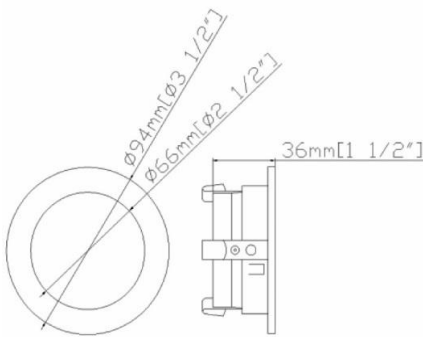
LAMPING: Accommodates an MR-16 or GU-10 bulb. Please see housing for maximum wattage allowed according to selection.

Painted finishes are powder coated for abrasion resistance, frosted lens included. Steel metal clips secure to housing.

DIAMETER: 4 7/8"

FINISHES: Matte White (MW), Brushed Nickel (BN),

Matte White Marine Grade(MW-MG)



MODEL	FINISH
	MW
R4-409	BN
	MW-MG

COMPATIBLE HOUSINGS

Model	Description
R4-050	4" LOW VOLTAGE NON IC REMODEL HOUSING REMOTE TRANSFORMER (NOT SUPPLIED) 50W MAX MR-16
R4-19AT	4" LINE VOLTAGE NON IC AIRTITE NEW CONSTRUCTION HOUSING WHEN USED WITH A GU-10 WHIP
R4-19RAT	4" LINE VOLTAGE NON IC AIRTITE REMODEL HOUSING WHEN USED WITH A GU-10 WHIP
R4-499AT	4" LOW VOLTAGE NON IC AIRTITE NEW CONSTRUCTION HOUSING 50W MAX MR-16
R4-499ICA	4" LOW VOLTAGE IC AIRTITE NEW CONSTRUCTION HOUSING 35W MAX MR-16
R4-499RAT	4" LOW VOLTAGE NON IC AIRTITE REMODEL HOUSING 50W MAX MR-16
R4-499SAT	4" LOW VOLTAGE NON IC AIRTITE NEW CONSTRUCTION HOUSING 50W MAX MR-16
R4-499SRAT	4" LOW VOLTAGE NON IC AIRTITE REMODEL HOUSING 50W MAX MR-16
R4-G19AT	4" LINE VOLTAGE NON IC AIRTITE NEW CONSTRUCTION HOUSING 50W MAX GU-10
R4-G19ICA	4" LINE VOLTAGE IC AIRTITE NEW CONSTRUCTION HOUSING 35W MAX GU-10
R4-G19RAT	4" LINE VOLTAGE NON IC AIRTITE REMODEL HOUSING 50W MAX GU-10
R4-G19ICAT-LED	4" LINE VOLTAGE IC AIRTITE NEW CONSTRUCTION HOUSING 8W MAX LED GU-10
R4-G19ICRAT-LED	4" LINE VOLTAGE IC AIRTITE REMODEL HOUSING 8W MAX LED GU-10