

# R4-421

4" ROUND ADJUSTABLE ALZAK



Project

Location

## PRODUCT DESCRIPTION

4" Round adjustable alzak

To be used in low and line voltage applications.

Trim will adjust 35 degrees from vertical position.

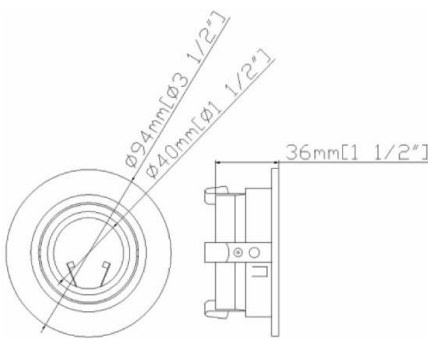
**LAMPING:** Accommodates an MR-16 or GU-10 bulb. Please see housing for maximum wattage allowed according to selection.

Painted finishes are powder coated for abrasion resistance, clear lens included. Steel metal clips secure to housing.

**DIAMETER:** 4 7/8"

**FINISHES:** Matte White (MW), Matte White w/ Clear (MWCL),

Matte White Anodized Aluminum MWAA, Brushed Nickel w/ Clear (BNCL)



MODEL	FINISH
	MW
R4-421	MWCL
	MWAA
	BNCL

## COMPATIBLE HOUSINGS

Model	Description
R4-050	4" LOW VOLTAGE NON IC REMODEL HOUSING REMOTE TRANSFORMER (NOT SUPPLIED) 50W MAX MR-16
R4-19AT	4" LINE VOLTAGE NON IC AIRTITE NEW CONSTRUCTION HOUSING <b>WHEN USED WITH A GU-10 WHIP</b>
R4-19RAT	4" LINE VOLTAGE NON IC AIRTITE REMODEL HOUSING <b>WHEN USED WITH A GU-10 WHIP</b>
R4-499AT	4" LOW VOLTAGE NON IC AIRTITE NEW CONSTRUCTION HOUSING 50W MAX MR-16
R4-499ICA	4" LOW VOLTAGE IC AIRTITE NEW CONSTRUCTION HOUSING 35W MAX MR-16
R4-499RAT	4" LOW VOLTAGE NON IC AIRTITE REMODEL HOUSING 50W MAX MR-16
R4-499SAT	4" LOW VOLTAGE NON IC AIRTITE NEW CONSTRUCTION HOUSING 50W MAX MR-16
R4-499SRAT	4" LOW VOLTAGE NON IC AIRTITE REMODEL HOUSING 50W MAX MR-16
R4-G19AT	4" LINE VOLTAGE NON IC AIRTITE NEW CONSTRUCTION HOUSING 50W MAX GU-10
R4-G19ICA	4" LINE VOLTAGE IC AIRTITE NEW CONSTRUCTION HOUSING 35W MAX GU-10
R4-G19RAT	4" LINE VOLTAGE NON IC AIRTITE REMODEL HOUSING 50W MAX GU-10