

# **LUCCI**

## **AIRFUSION FLUSSO**

### **DC CEILING FAN**

- **INSTALLATION**
- **OPERATION**
- **MAINTENANCE**
- **WARRANTY INFORMATION**

**CAUTION**  
**READ INSTRUCTIONS CAREFULLY FOR SAFE**  
**INSTALLATION AND FAN OPERATION.**

For customer support, please contact:

Tel: +1 (949) 800 8488

Email: [support@beaconlighting.us](mailto:support@beaconlighting.us)

[www.beaconlighting.us](http://www.beaconlighting.us).

**EN****CONGRATULATIONS ON YOUR PURCHASE**

Congratulations on purchasing the latest in energy saving ceiling fans. This fan runs on DC (direct current) power which gives it the benefit of being super energy efficient whilst still maintaining high volume air-movement and silent operation.

**Energy Saving** - The DC motor is the latest technology in fan design. Its highly efficient motor saves up to 65% more energy than ceiling fans with traditional AC motors.

**Silent operation** – This DC fan motor is programmed with a stabilised current which efficiently reduces motor noise.

**Low operating temperature** – The DC power is managed effectively which brings down the motor operating temperature to less than 50°C. This results in a much cooler motor than a standard AC fan and increases the longevity of the motor.

**6 speed remote control** - Regular AC ceiling fans usually come with only 3 speeds, this DC fan comes complete with a 6 speed remote, which gives greater choice of comfort levels.

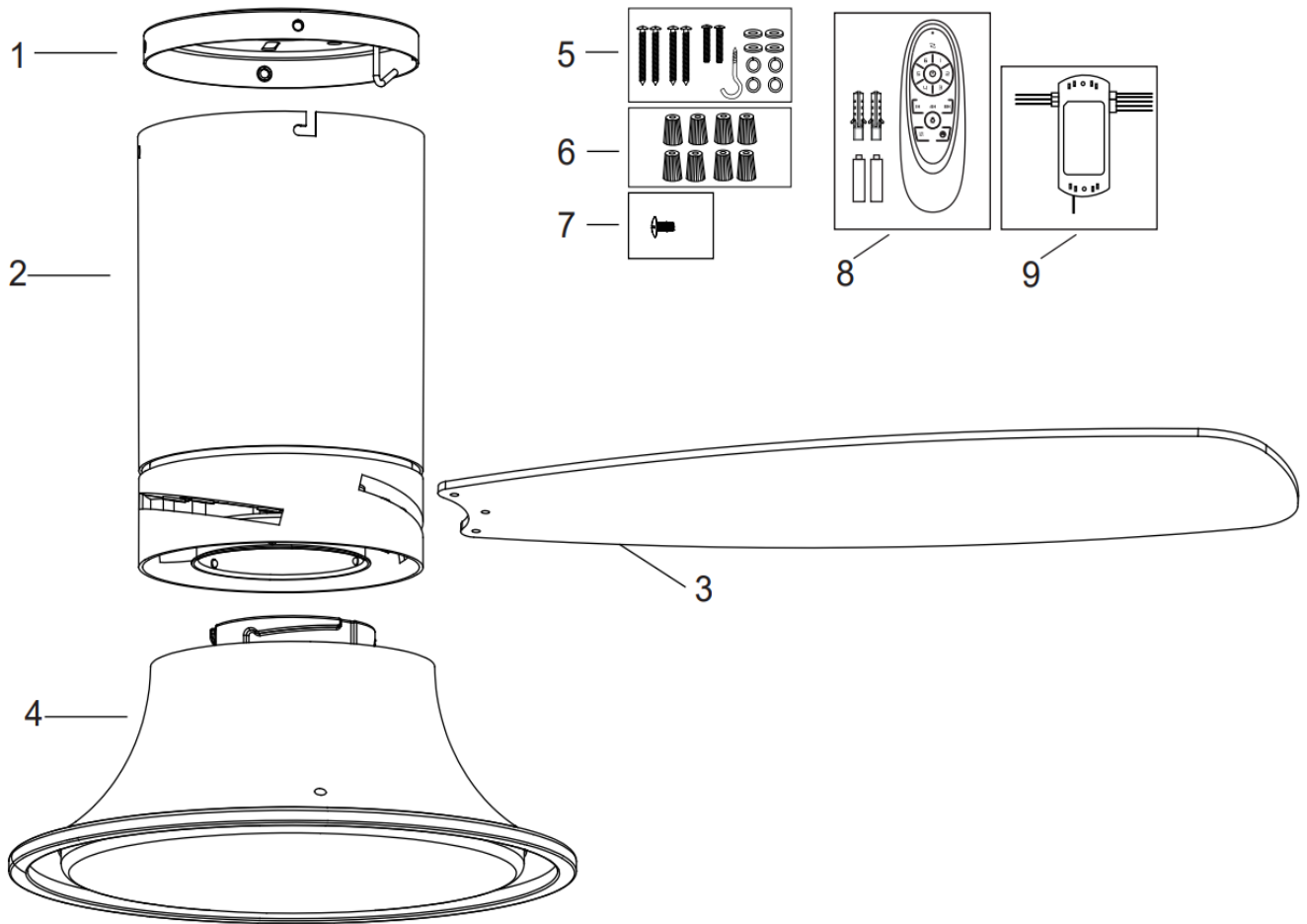
**SAFETY PRECAUTIONS****Read and Save These Instructions**

This product conforms to UL standard 507 and CSA STD. C22.2 NO.113.

1. **WARNING** -To avoid possible electrical shock, before installing or servicing your fan, disconnect the power by turning off the circuit breaker of the fuse box to the outlet box.
2. **WARNING** - To reduce the risk of fire, electric shock, or personal injury, mount to outlet box marked “acceptable for fan support of 35 lbs (15.9 kg) or less” and use the mounting screws provided with the outlet box and/or support directly from building structure. Most outlet boxes commonly used for the support of luminaries may not be acceptable for fan support and may need to be replaced. Consult a qualified electrician if in doubt.
3. Suitable for use with solid-state speed controls
4. **WARNING** - To reduce the risk of personal injury, do not bend the blade brackets when installing the blade brackets balancing the blades, or cleaning the fan. Do not insert foreign objects in between rotating fan blades.
5. **CAUTIONS** - All wiring must be in accordance with the National Electrical Code (ANSI/NFPA 70) and local electrical codes. If you are unfamiliar with wiring, use a qualified electrician.
6. To reduce the risk of injury to person, the fan must be mounted with a minimum of 7 feet clearance from the bottom edge of the blades to the floor.
7. After marking electrical connections, spliced conductors should be turned upward and pushed carefully up into the outlet box. The wires should be spread apart with the grounded conductor and the equipment-grounding conductor on one side of the outlet box.
8. This equipment has been tested and found to comply with the limits for a Class B digital device, pursuant to part 15 of the FCC rules. These limits are to provide reasonable protection against harmful interference in a residential installation. This equipment generates, uses and can radiate radio frequency energy and if not installed and used in accordance with the instructions may cause harmful interference to radio communications.
9. **CAUTION** - To reduce the risk of electric shock, disconnect the electrical supply circuit to the fan before installing light kit.
10. The light kit weight is 0.65kg.

## PARTS LIST

- Unpack your ceiling fan and carefully. Remove all parts and hardware.
- Lay out all the components on a smooth surface and make sure there are no components missing before assembling. If parts are missing, return the complete product to the place of purchase for inspection or replacement.
- Check whether the ceiling fan has been damaged during transport. Do not operate/install any product which appears damaged in any way. Return the complete product to the place of purchase for inspection, repair or replacement.
- Examine and identify the parts. Please refer to **Fig 1**.



**Fig. 1**

1	Mounting bracket x 1	5	• Wood screw x 4
2	Fan assembly x 1		• Machine screw x 2
3	Blade x3		• Flat washer x 4 and Spring washer x 4
4	LED light kit x 1		• Security Hook
6	Wire nut x 8	8	Remote x 1 set
7	Extra motor screw and washer for blade x 1	9	Receiver x 1 Set

## INSTALLING THE MOUNTING BRACKET

If there isn't an existing outlet box, then install one using the following instructions:

- Disconnect the power by removing the fuses or turning off the circuit breakers.
- Secure the outlet box (A) (not included) directly to the building structure. Use appropriate fasteners and materials (not included). The outlet box and its bracing must be able to fully support the weight of the moving fan (at least 35 lbs). Do not use a plastic outlet box.
- Figures 2-3 below show three different ways to mount the outlet box (A) (not included).

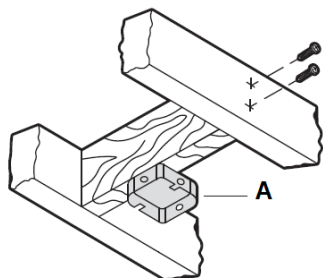


Fig. 2

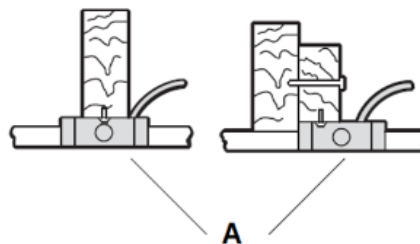


Fig. 3

NOTE: The ceiling fan must be installed in a location so that the blades are 300mm from the tip of the blade to the nearest objects or walls.

To hang your fan where there is an existing fixture but no ceiling joist, you may need an installation hanger bar (C) as shown in Fig. 4. Make sure the hanger bar you purchase has been designed for use with ceiling fans.

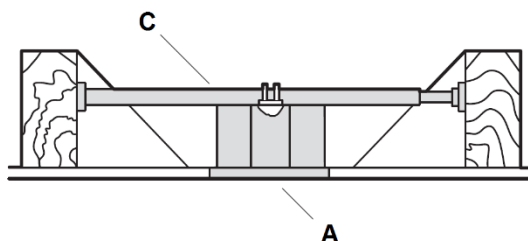


Fig. 4

### **ANGLED CEILING INSTALLATION**

The hanging system of this fan is **ONLY** suitable for flat ceiling installation.

**DO NOT install the fan on an angled ceiling.**

## HANGING THE FAN

### INSTALLING THE MOUNTING BRACKET

Pass the power supply wires (C) from the ceiling outlet box (B) through the center of the ceiling mounting bracket (D). Install the ceiling mounting bracket (D) on the outlet box (B) with the mounting screws (F) provided with the outlet box and washers (E) provided with fan. **Fig. 5**

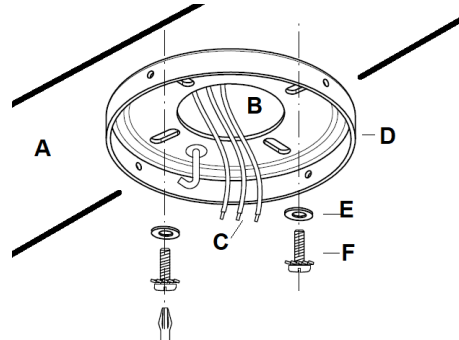


Fig. 5

### HANGING THE FAN MOTOR ASSEMBLY

- Lift the fan assembly (1) up to the mounting bracket. Hang the fan assembly onto the J-hook (2) of the mounting bracket. (Fig.6)

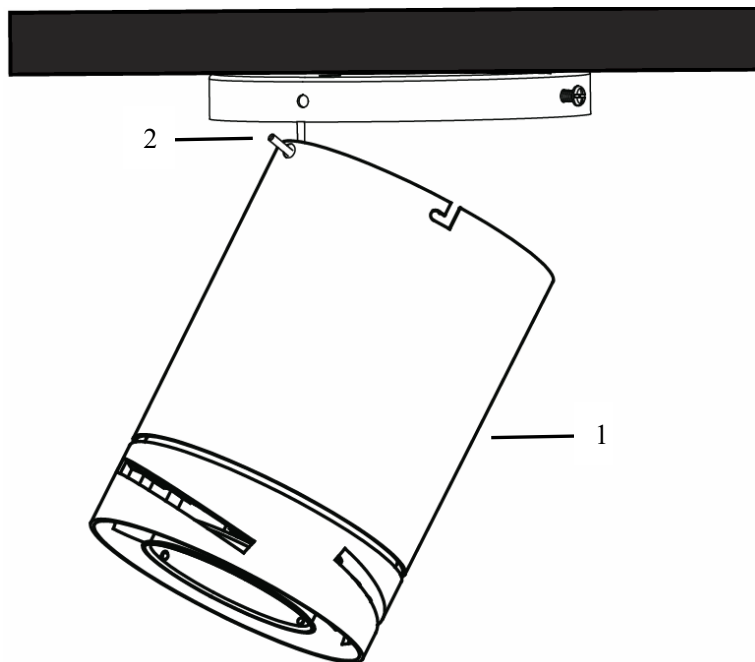


Fig. 6

- Complete the electrical wiring according to the 'ELECTRICAL WIRING DIAGRAM' section below. (Fig.7)

**Noted:** The Flusso fan is a DC technology fan and cannot be used with an AC wall switch. If use wall switch, on/off toggle wall switch – only, Always leave in the “on” position and use remote.

## ELECTRICAL WIRING DIAGRAM

**WARNING:** To avoid possible electrical shock, be sure you have turned off the power at the main circuit panel. Follow the steps below to connect the fan to your household wiring. Use the wire connecting nuts supplied with your fan. Secure the connectors with electrical tape. Make sure there are no loose wire strands or connections.

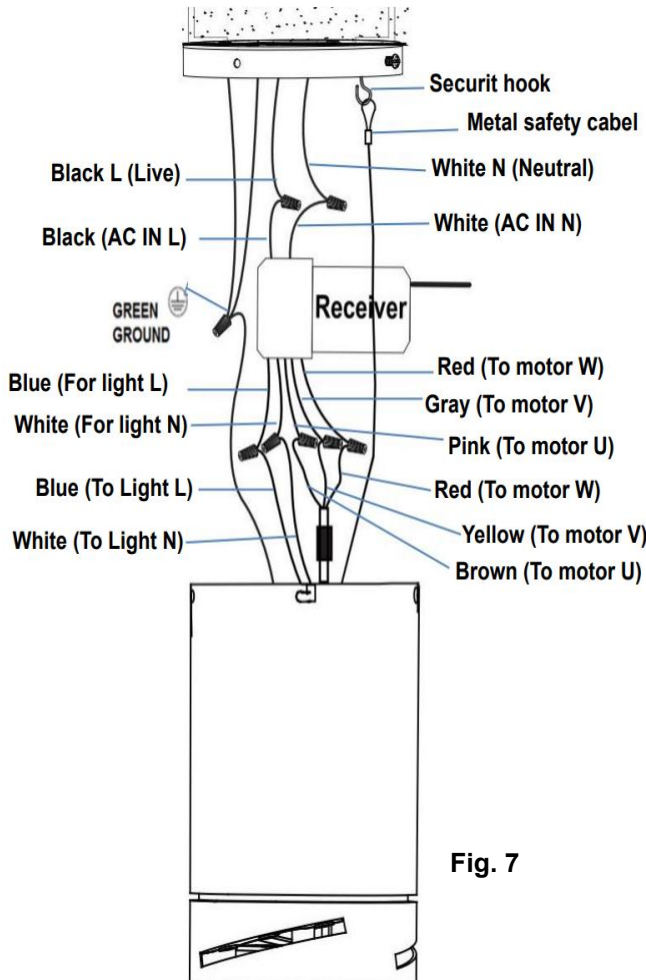


Fig. 7

1. Connect the household live supply wire (black) to receiver input wire (black, AC IN L) as shown in (Fig. 7)
2. Connect the household neutral supply wire (white) to the receiver input wire (white, AC IN N).
3. Connect the household ground wire to the fan mounting bracket ground wire (green) and fan body ground wire.
4. Connect the reveiver output wire (white, for light N) to motor input wire (White, To Light N).
5. Connect the reveiver output wire (Blue, for light L) to motor input wire (Blue, To Light L).
6. Connect the reveiver output wire (Pink, to motor U) to motor input wire (Brown, To motor U).
7. Connect the reveiver output wire (Gray, to motor V) to motor input wire (Yellow, To motor V).
8. Connect the reveiver output wire (Red, to motor W) to motor input wire (Red, To motor W).

9. Pull the safety cable onto the hook scw and tight, tie the safety cable and hook screw with Cable Tie.

(Fig. 8)

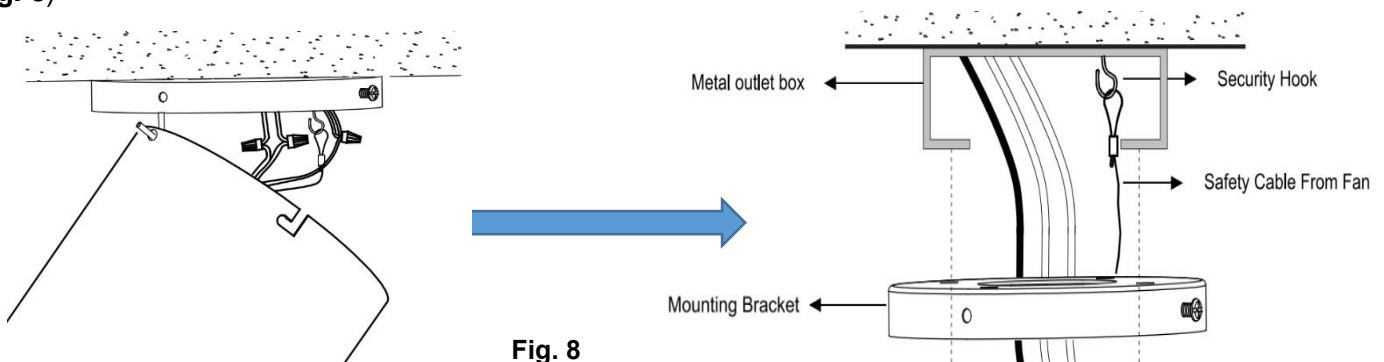


Fig. 8

10. After connecting the wires, Turn the connecting nuts upward and push the wiring into the fan hanging canopy.

11. Carefully put the Receiver into the fan hanging canopy. Take care not to damage or loosen any of the wiring.

## INSTALL THE FAN ASSEMBLY TO THE MOUNTING BRACKET

Install the fan assembly to the mounting bracket (**Fig.9a&Fig.9b**):

- Loosen two canopy screws (1) and remove from the mounting bracket.
- Loosen two canopy screws with star washer (2) by half thread from the mounting bracket. (For L-shape slot on canopy to be mounted).

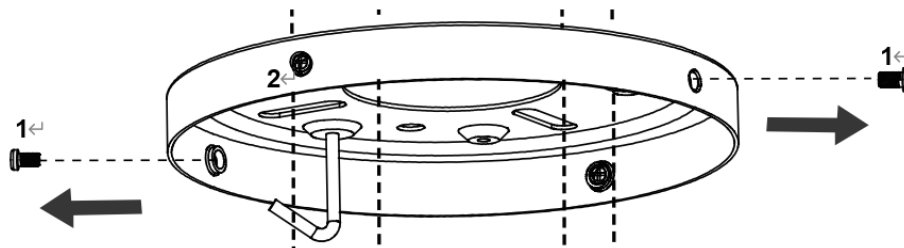


Fig. 9a

- Lift the hanging canopy (3) of the fan assembly up to the mounting bracket and let the L-shape slot on the hanging canopy (3) go through the two canopy screws with star washer (2). (**Fig.9b**)
- Turn the hanging canopy (3) until it locks in place at the end section of the L-shape slot, ensure the star washer are between the hanging canopy (3) and screw head. Secure it by tightening the two canopy screws with star washer (2).
- Secure and tighten the canopy screws (1) to the mounting bracket. The hanging canopy (3) shall have 4 screws (1) & (2) in total. Avoid damaging the electrical wiring prepared previously when hanging the canopy.

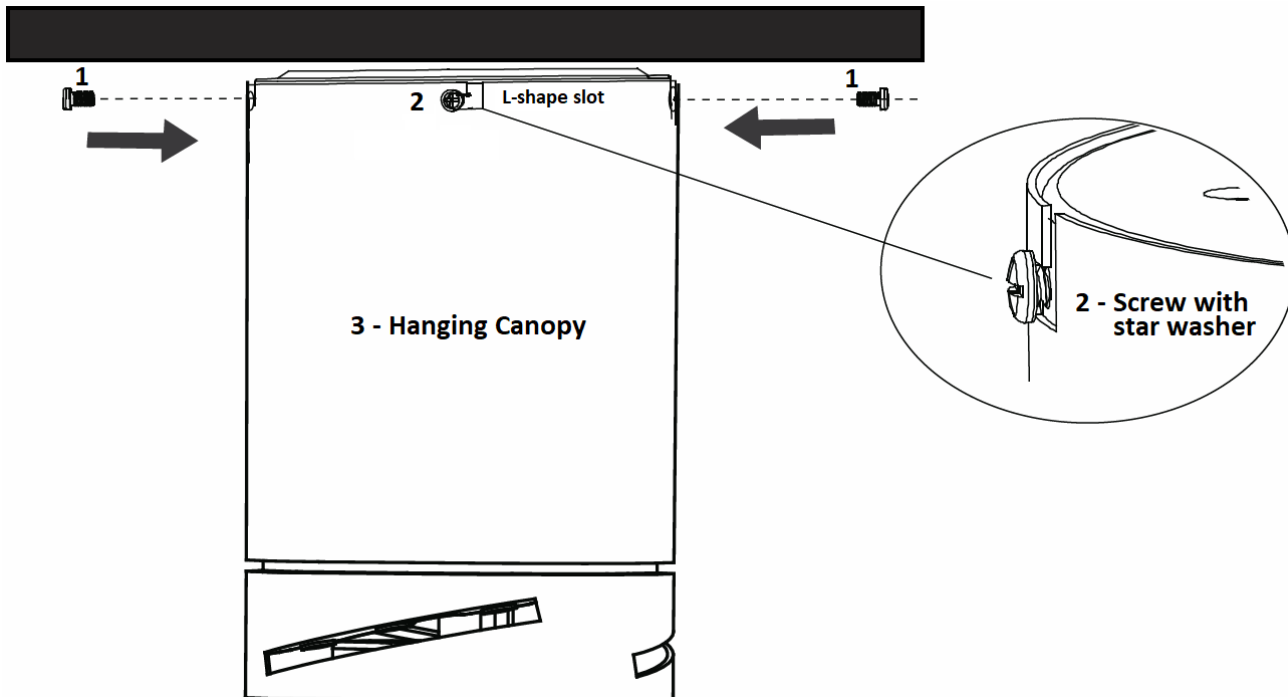
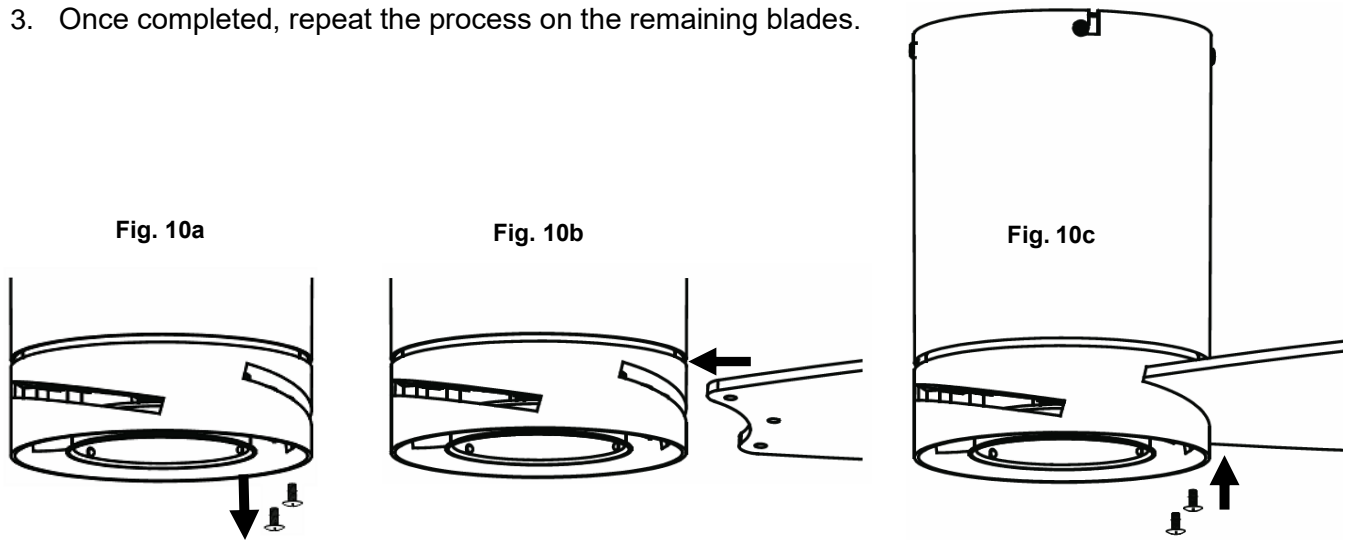


Fig. 9b

## INSTALLING THE FAN BLADE AND LIGHT KIT

### **BLADE ATTACHMENT (Fig.10)**

1. Remove the 3 blade screws from the fan motor (Fig. 10a), and insert the blade mounting end into the slot of the rotating drum (Fig. 10b).
2. Align the 3 holes on the blade with the 3 holes on the rotating drum of fan motor assembly and using the 3 blade screws, to secure the blade to the fan motor assembly. Ensure all screws are tightened evenly to reduce the chance of warping or unbalancing. Take care not to over tighten the screws, as this can damage the blades (Fig. 10c).
3. Once completed, repeat the process on the remaining blades.

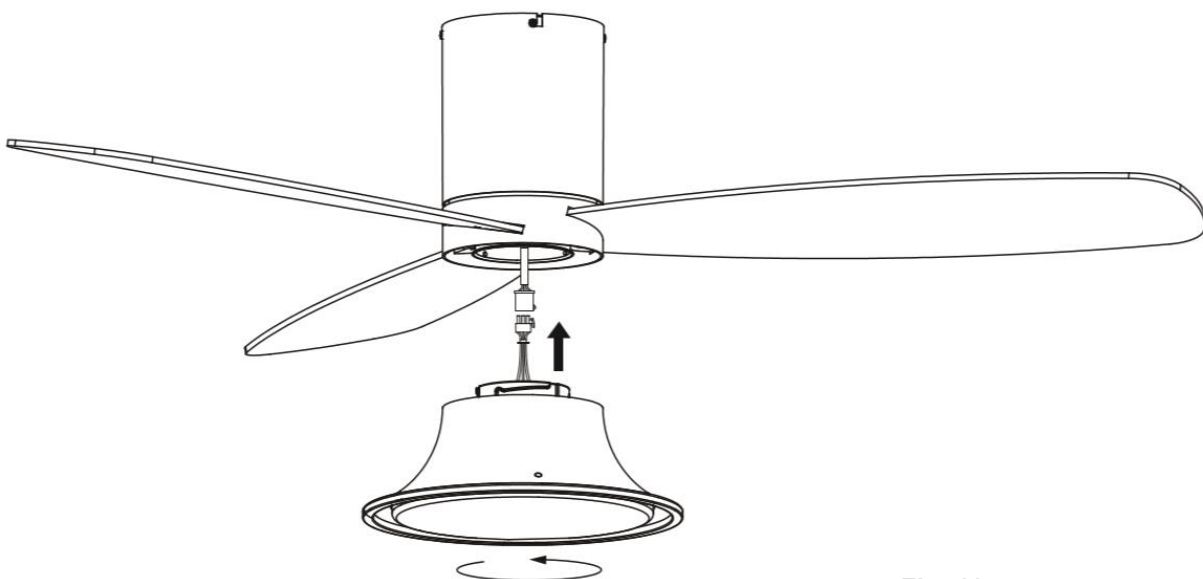


**NOTE :** Don't run the motor without blades installed!

### **INSTALLING THE LED LIGHT KIT ( FIG.11)**

**NOTE:** To avoid possible electrical shock, be sure you have turned off the power at the main circuit panel

- Connect the wires of light kit to the fan assembly via the quick connector.
- Install the light kit on the fan assembly then secure it by turning clockwise.



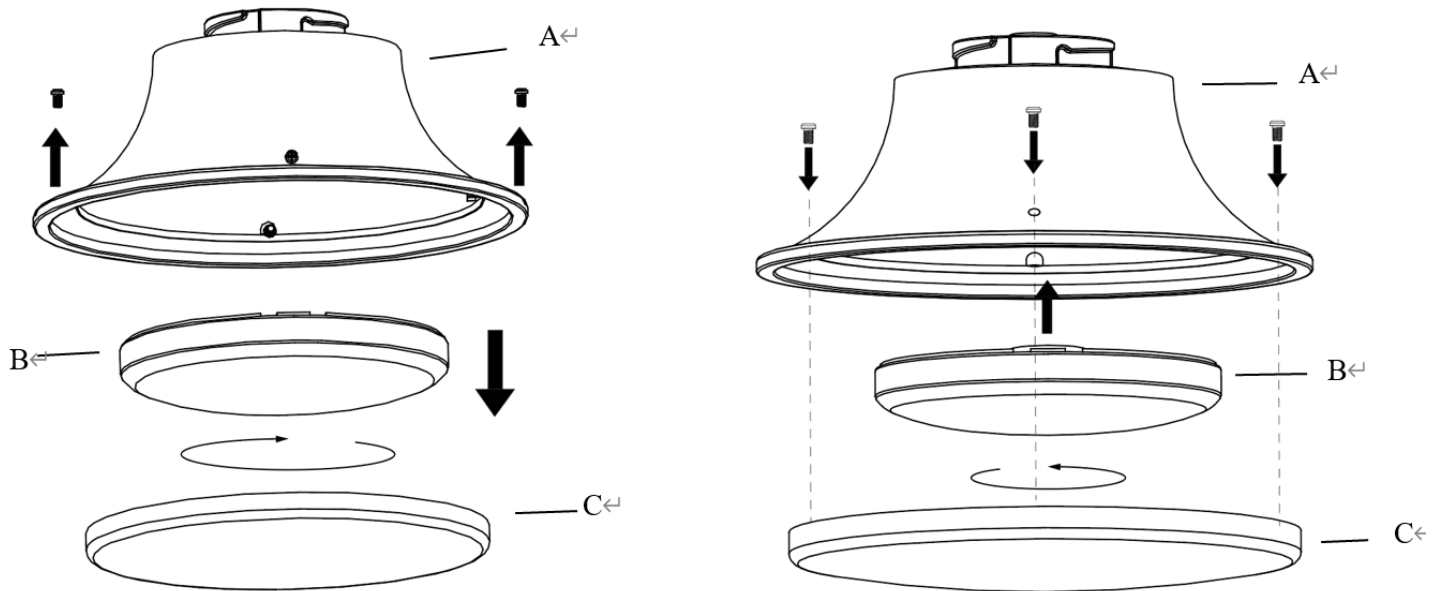
**Fig. 11**



## **INSTALLATION OF LAMP (Fig. 12)**

**NOTE:** The GX53 lamp is pre-installed in the light kit. Follow the steps below to replace the lamp.

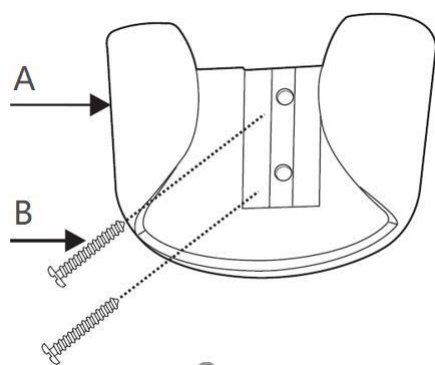
- Loosen the screws from the top rim of light kit (A).
- Remove the lamp shade (C) from the light kit (A).
- Remove and replace the GX53 lamp (B). Do not exceed the maximum power rating.
- Install the lamp shade (C) back to the light kit (A) and secure by tightening the screws.



**Fig. 12**

## **INSTALLATION OF THE REMOTE CONTROL HOLDER (Fig. 13)**

Install the holder (A) to the wall with two screws provided (B), hang up the remote by the holder.



**Fig. 13**

## USING YOUR CEILING FAN

### REMOTE CONTROL (Fig.14)

1. Open the battery compartment cover by removing the securing screw and insert 2 x AAA battery. Note the correct battery polarity (+/-) when inserting the battery, and then replace the cover and secure with the screw.
2. Test the remote by pressing and hold any button. A red LED will be lit up at the top of the remote to indicate that there is power to the remote and it is ready for use to control the fan.
3. Follow the guide below to operate the fan and learn the functions.

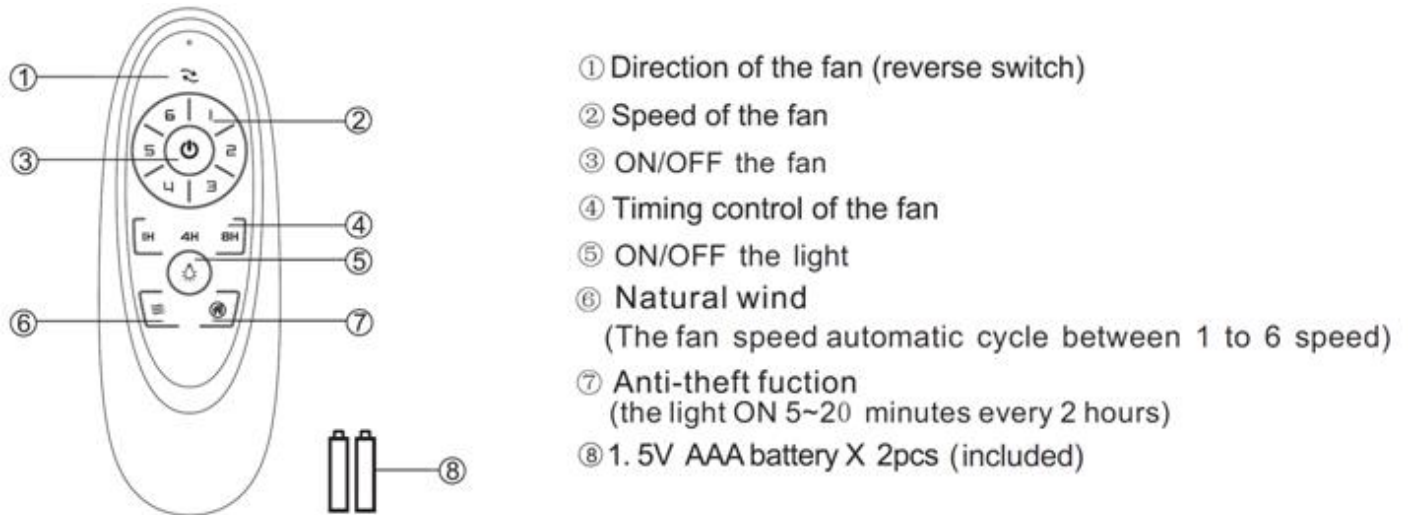


Fig. 14

- ① Direction of the fan (reverse switch)
- ② Speed of the fan
- ③ ON/OFF the fan
- ④ Timing control of the fan
- ⑤ ON/OFF the light
- ⑥ Natural wind  
(The fan speed automatic cycle between 1 to 6 speed)
- ⑦ Anti-theft fuction  
(the light ON 5~20 minutes every 2 hours)
- ⑧ 1.5V AAA battery X 2pcs (included)

### REPAIRING THE FAN RECEIVER & REMOTE PAIRING

**NOTE: The pairing of the remote and receiver has been done at the factory.**

**When the ceiling fan is installed, pairing the fan receiver and remote is NOT required.**

Should the remote and receiver lose control after installation or during use, the pairing of the remote and the receiver must be repaired. Below are the operating symptoms and method to repair the pairing of the DC ceiling fan remote and receiver.

#### **Issues:**

- Loss of control - Fan is only running at high speed after installation
- Loss of control - No reverse function after installation
- Loss of control - Remote cannot communicate with the receiver

#### **Solution:**

- Switch off the main power of ceiling fan.
- Switch on the main power of the ceiling fan. Press and hold the On/Off button on the remote for 5 seconds within 30 seconds after switching on. There will be a notification 'beep' sound from the receiver to indicate that the paring process is successful.
- Turn on and select the different speed of the ceiling fan to check the operation of the fan.

**NOTE : the fan is DC fan , There is some "stutter" for the fan during pairing , or At either rotation direction, the fan would some "stutter" before starting the rotation. this is normal.**

## AFTER INSTALLATION

### WOBBLE:

NOTE: ceiling fans tend to move during operation due to the fact that they are mounted on a rubber grommet. If the fan was mounted rigidly to the ceiling it would cause excessive vibration. Movement of a few centimetres is quite acceptable and DOES NOT suggest any problem.

**TO REDUCE THE FAN WOBBLE:** Please check that all screws which fix the mounting bracket .

### NOISE:

When it is quiet (especially at night) you may hear occasional small noises. Slight power fluctuations and frequency signals superimposed in the electricity for off-peak hot water control, may cause a change in fan motor noise. This is normal. Please allow a 24-hour “breaking -in” period, most noises associated with a new fan disappear during this time. All electric motors are audible to some extent. Please note that this is not a product fault, and as such is not covered under warranty.

## CARE & CLEANING

**NOTE: Always turn OFF the power at the mains switch before performing any maintenance or attempting to clean your fan.**

- 1) Every 6 months periodic cleaning of your ceiling fan is the only maintenance required. Use a soft brush or lint free cloth to avoid scratching the paint finish. Please turn OFF electricity power when you do so.
- 2) Do not soak or immerse your ceiling fan in water or other liquids. It could damage the motor or the blades and create the possibility of an electrical shock.
- 3) Ensure that the fan does not come in contact with any organic solvents or cleaners.
- 4) To clean the fan blade, wipe with only a damp clean cloth with NO organic solvents or cleaners.
- 5) The motor has a permanently lubricated ball bearing so there is no need to oil.

## TECHNICAL INFORMATION

Fan Size	Speed	Volts (V)	Amps (A)	Watts (W)	RPM	CFM	CFM/W	N.W. (lbs)	C.F.
FLUSSO-52-US-***	Extra-High	120	0.46	30.28W	196	4128.10	136.33	11.2	1.69
	Medium High	120	0.25	15.08W	163	3346.73	221.93	11.2	1.69
	Low	120	0.09	3.49W	97	1955.65	560.36	11.2	1.69

These are approximate measurements. They do not include data for any lamps or fixtures attached to the ceiling fan.

## WARRANTY

1 year warranty covers the entire fan. Please refer to warranty card for the details.

**E****FELICITACIONES CON SU COMPRA**

Felicitaciones por comprar lo último en ventiladores ahorradores de energía. Este ventilador funciona con CC (corriente continua) lo que le confiere la ventaja de ser súper eficiente energéticamente, a la vez que mantiene un alto volumen de movimiento de aire y un funcionamiento silencioso.

**Ahorro de energía** - El motor de CC es la última tecnología en diseño de ventiladores. Su motor de alta eficiencia ahorra hasta un 65% más de energía que los ventiladores de techo con motores de CA tradicionales.

**Funcionamiento silencioso** - Este motor de ventilador de CC está programado con una corriente estabilizada que reduce eficazmente el ruido del motor.

**Baja temperatura de funcionamiento** - La potencia de CC se maneja eficazmente, lo que reduce la temperatura de funcionamiento del motor a menos de 50°C. Esto da como resultado un motor mucho más frío que un ventilador de CA estándar y aumenta la longevidad del motor.

**Control remoto con 6 velocidades** - Los ventiladores de techo normales de CA suelen venir con sólo 3 velocidades, este ventilador de CC viene con un control remoto con 6 velocidades, lo que proporciona una mayor elección de niveles de confort.

**MEDIDAS DE SEGURIDAD****Lea y conserve estas instrucciones**

Este producto cumple con la norma UL 507 y CSA STD. C22.2 NO.113.

1. **ADVERTENCIA** - Para evitar cualquier posible descarga eléctrica, antes de instalar o reparar su ventilador desconecte la alimentación apagando el disyuntor del circuito de la caja de fusibles a la caja de salida.
2. **ADVERTENCIA** - Para disminuir el riesgo de incendios, descargas eléctricas o lesiones personales, ármelo en la caja de salida marcada como "apta para soportar ventilador de 35 lbs (15.9 kg) o menos" y use los tornillos de armado incluidos en la caja de salida y/o instálelo directamente a la estructura del edificio. La mayoría de las cajas de salida usadas normalmente para instalar luminarias no son aptas para instalar ventiladores y puede ser necesario reemplazarlas. En caso de duda, consulte con un electricista calificado.
3. Apto para utilizarse con controles de velocidad de estado sólido.
4. **ADVERTENCIA** - Para disminuir el riesgo de que se produzcan lesiones personales, no doble los soportes de las aspas al instalarlos para equilibrar las aspas o al limpiar el ventilador. No inserte objetos extraños entre las aspas giratorias del ventilador.
5. **PRECAUCIONES** - Todo el cableado debe estar conforme con el Código Eléctrico Nacional (ANSI/NFPA 70) y los códigos eléctricos locales. Si no está familiarizado con el cableado, emplee a un electricista calificado.
6. Para disminuir el riesgo de sufrir lesiones personales, el ventilador debe ubicarse a una distancia mínima de 7 pies (2.13 m) entre el borde de la parte inferior de las aspas y el suelo.
7. Después de hacer las conexiones eléctricas, los conductores empalmados se deben voltear hacia arriba y empujar con cuidado al interior de la caja de salida. Los cables deben estar separados con el conductor conectado a tierra y el conductor de descarga a tierra de equipos en un lado de la caja de salida.
8. Este equipo fue probado y se demostró que cumple con los límites de un dispositivo digital de Clase B, según la parte 15 de las reglas de la FCC. Estos límites se establecieron para proporcionar una protección razonable contra la interferencia dañina en una instalación residencial. Este equipo genera, usa y puede radiar energía de frecuencias de radio y, de no instalarse y utilizarse de acuerdo con las

## Airfusion Flusso Installation Instructions

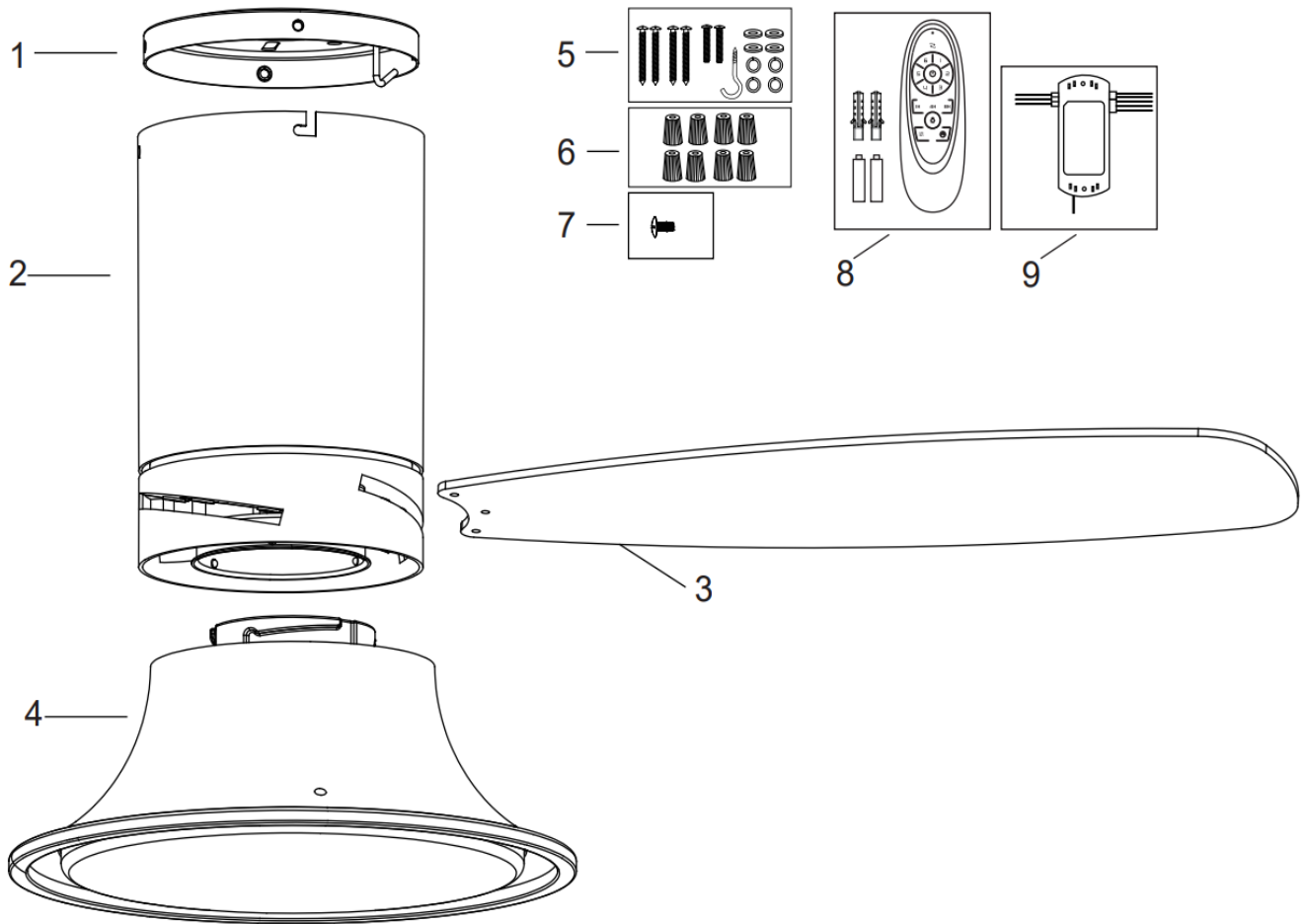
---

instrucciones, puede causar interferencia dañina con las comunicaciones de radio.

9. PRECAUCIÓN - Para reducir el riesgo de descarga eléctrica, desconecte el circuito de suministro eléctrico del ventilador antes de instalar el juego de luces.
10. El peso de del juego de luces es de 0.65 kg.

## LISTA DE PIEZAS

- Desempaque su ventilador de techo con cuidado. Saque todas las piezas y los tornillos.
- Deposite todos los componentes sobre una superficie lisa y verifique que no falta ninguno antes de iniciar el armado. Si falta alguna pieza, regrese el producto completo al lugar donde lo adquirió para que lo examinen o reemplacen.
- Compruebe si el ventilador de techo se dañó durante el transporte. No ponga en funcionamiento ni instale ningún producto que presente cualquier tipo de daño. Regrese el producto completo al lugar donde lo adquirió para que lo examinen, reparen o reemplacen.
- Examine e identifique las piezas. Consulte la **Fig. 1**.



**Fig. 1**

1	1 soporte de armado	5	<ul style="list-style-type: none"> <li>• 4 tornillos para madera</li> </ul>
2	1 conjunto de ventilador		<ul style="list-style-type: none"> <li>• 2 tornillos de máquina</li> </ul>
3	Cuchilla x3		<ul style="list-style-type: none"> <li>• Arandela plana x 4 y arandela de resorte x 4</li> </ul>
4	Kit de luces LED x 1		<ul style="list-style-type: none"> <li>• Gancho de seguridad</li> </ul>
6	8 tuercas para cable	8	1 set de control remoto
7	Tornillo adicional del motor y arandela para cuchilla x 1	9	1 set de receptor

## INSTALACIÓN DEL SOPORTE DE ARMADO

Si no hay una caja de salida existente, luego instale una siguiendo estas instrucciones:

- Desconecte el suministro eléctrico retirando los fusibles o apagando los disyuntores de circuito.
- Fije la caja de salida (A) (no incluida) directamente a la estructura del edificio. Use fijaciones y materiales apropiados (no incluidos). La caja de salida y su soporte deben ser capaces de soportar completamente el peso del ventilador en movimiento (al menos 35 lbs). No use una caja de salida de plástico.
- Las imágenes 2-3 siguientes muestran tres tipos distintos de armado de la caja de salida (A) (no incluida).

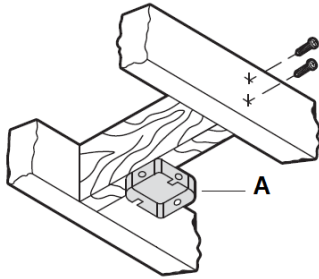


Fig. 2

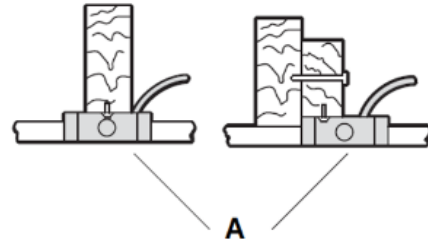


Fig. 3

NOTA: El ventilador de techo debe instalarse en un lugar para que las cuchillas estén a 300 mm de la punta de la cuchilla a los objetos o paredes más cercanos.

Para colgar su ventilador donde ya existe una luminaria pero no hay una viga de techo, es posible que necesite instalar una barra de colgado (C) como se ilustra en la **Fig. 4**. Asegúrese de que la barra de colgado que compre se haya diseñado para utilizarse con ventiladores de techo.

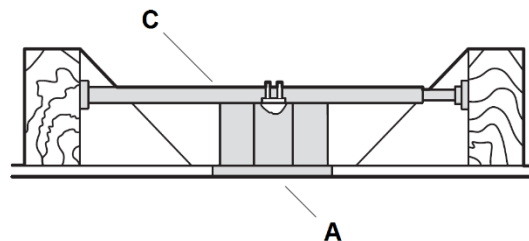


Fig. 4

### **INSTALACIÓN EN UN TECHO INCLINADO**

El sistema de colgado de este ventilador **SOLO** es apto para instalar el ventilador en techos planos.

**NO instale el ventilador en un techo en ángulo.**

## CÓMO COLGAR EL VENTILADOR

### INSTALACIÓN DEL SOPORTE DE ARMADO

Pase los cables de alimentación eléctrica (C) de la caja de salida del techo (B) a través del centro del soporte de armado en el techo (D). Instale el soporte de armado en el techo (D) en la caja de salida (B) con los tornillos de armado (F) suministrados con la caja de salida y las arandelas (E) incluidas con el ventilador. **Fig. 5**

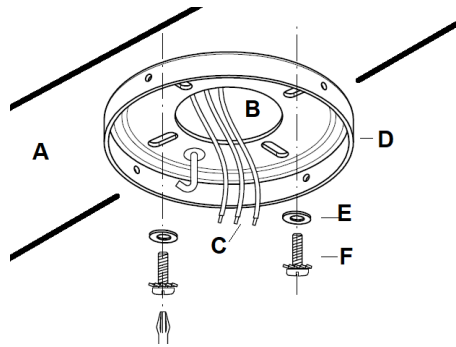


Fig. 5

### CÓMO COLGAR EL ENSAMBLAJE DEL MOTOR DEL VENTILADOR

- Eleve el conjunto del ventilador (1) hasta el soporte de montaje. Cuelgue el ensamblaje del ventilador en el gancho en forma de J (2) del soporte de armado. (Fig.6)

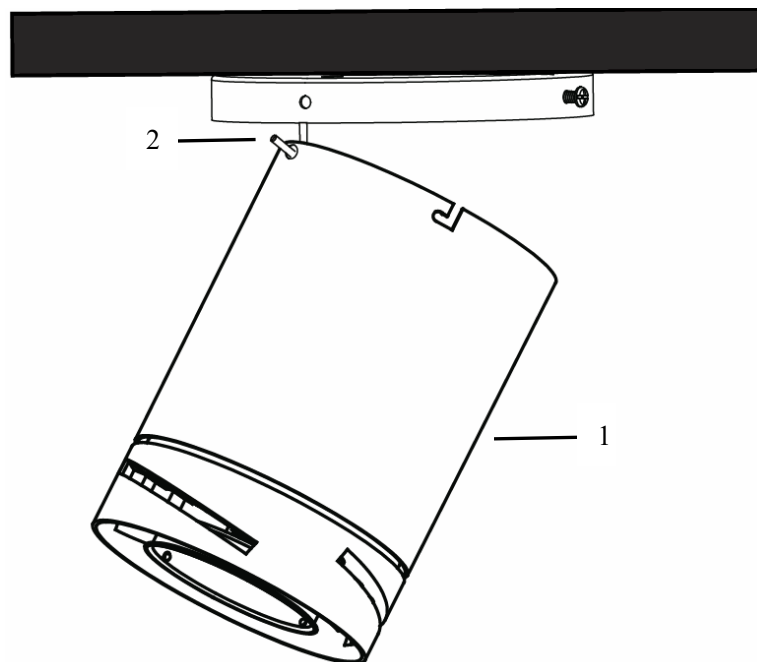


Fig. 6

- Complete el cableado eléctrico según la sección de "DIAGRAMA DE CABLEADO ELÉCTRICO" a continuación. (Fig.7)

**Nota:** El ventilador Flusso es un ventilador con tecnología de CC y no puede utilizarse con un interruptor de pared de CA. Si se utiliza el interruptor de pared, el interruptor de pared de encendido/apagado - sólo, dejar siempre en la posición "on" y utilizar el control remoto.



**DIAGRAMA DE CABLEADO ELÉCTRICO**

**ADVERTENCIA:** Para evitar cualquier posible descarga eléctrica, asegúrese de haber desconectado la alimentación eléctrica en el panel de circuito principal.

Siga los pasos que aparecen a continuación para conectar el ventilador al cableado de su casa. Use las tuercas de conexión de cable que se suministran con su ventilador. Fije los conectores con cinta eléctrica. Asegúrese de que no haya hilos de cables sueltos o conexiones flojas.

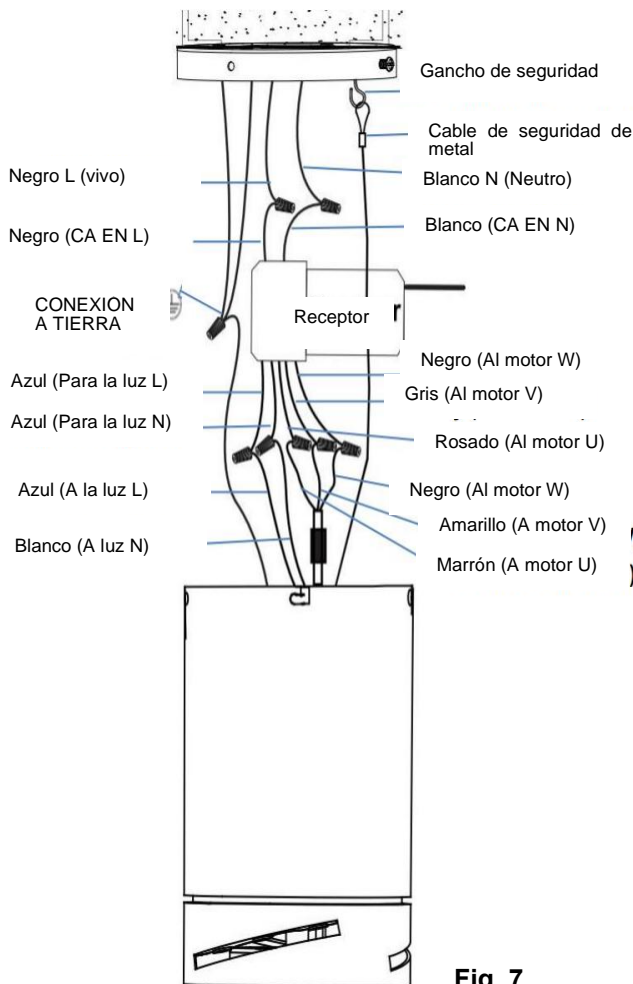


Fig. 7

2. Conecte el cable vivo de suministro eléctrico del hogar (negro) al cable de entrada del receptor (negro, AC IN L) como se muestra en (Fig. 7)
2. Conecte el cable neutro del suministro eléctrico del hogar (blanco) al cable de entrada del receptor (blanco, CA EN N).
3. Conecte el cable a tierra del hogar al cable a tierra del soporte de montaje del ventilador (verde) y al cable a tierra del cuerpo del ventilador.
4. Conecte el cable de salida del receptor (blanco, para luz N) al cable de entrada del motor (blanco, a luz N).
5. Conecte el cable de salida del receptor (azul, para luz L) al cable de entrada del motor (azul, a luz L).
6. Conecte el cable de salida del receptor (rosado, al motor U) al cable de entrada del motor (marrón, al motor U).
7. Conecte el cable de salida del receptor (gris, al motor

V) al cable de entrada del motor (amarillo, al motor V).

8. Conecte el cable de salida del receptor (rojo, al motor W) al cable de entrada del motor (rojo, al motor W).

9. Tire del cable de seguridad en el tornillo del gancho y ajuste, sujete el cable de seguridad y del tornillo del gancho con el sujetacables. (Fig. 8)

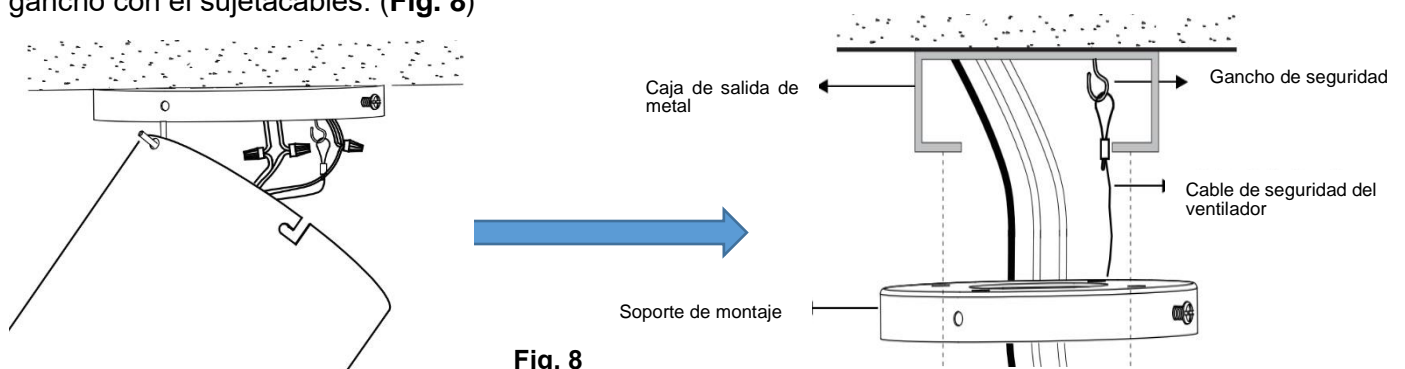


Fig. 8

10. Después de conectar los cables, gire las tuercas de conexión hacia arriba y presione el cableado hacia el interior del florón.
11. Coloque con cuidado el receptor en el dosel colgante del ventilador. Tenga cuidado de no dañar ni aflojar nada del cableado.

## INSTALACIÓN DEL CONJUNTO DEL VENTILADOR EN EL SOPORTE DE ARMADO

Instale el ensamblaje del ventilador sobre la abrazadera de montaje (**Fig.9a&Fig.9b**):

- Afloje dos tornillos del florón (1) y retírelos del soporte de armado.
- Afloje dos tornillos del florón con arandela de estrella (2) del soporte de armado hasta la mitad. (Para armar la ranura en L en el florón).

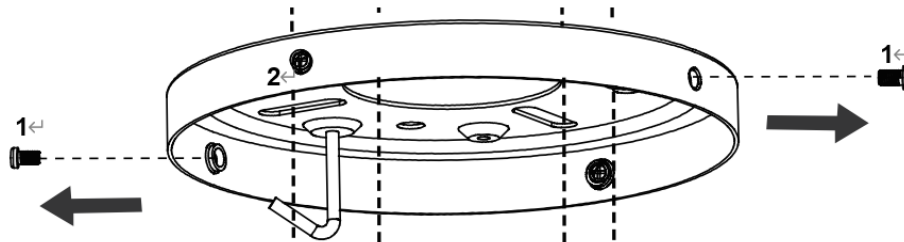


Fig. 9a

- Eleve el florón (3) del conjunto del ventilador hasta el soporte de armado y deje que la ranura en forma de L del florón (3) pase por los dos tornillos del florón con una arandela de estrella (2). (**Fig.9b**)
- Gire el florón (3) hasta que encaje en su lugar en la sección final de la ranura en forma de L. Asegúrese de que la arandela de estrella esté entre el florón (3) y la cabeza del tornillo. Asegúrelo apretando los dos tornillos del florón con una arandela de estrella (2).
- Asegure y apriete los tornillos del florón (1) al soporte de armado. El florón (3) deberá tener 4 tornillos (1) y (2) en total. Evite dañar el cableado eléctrico previamente instalado al colgar el florón.

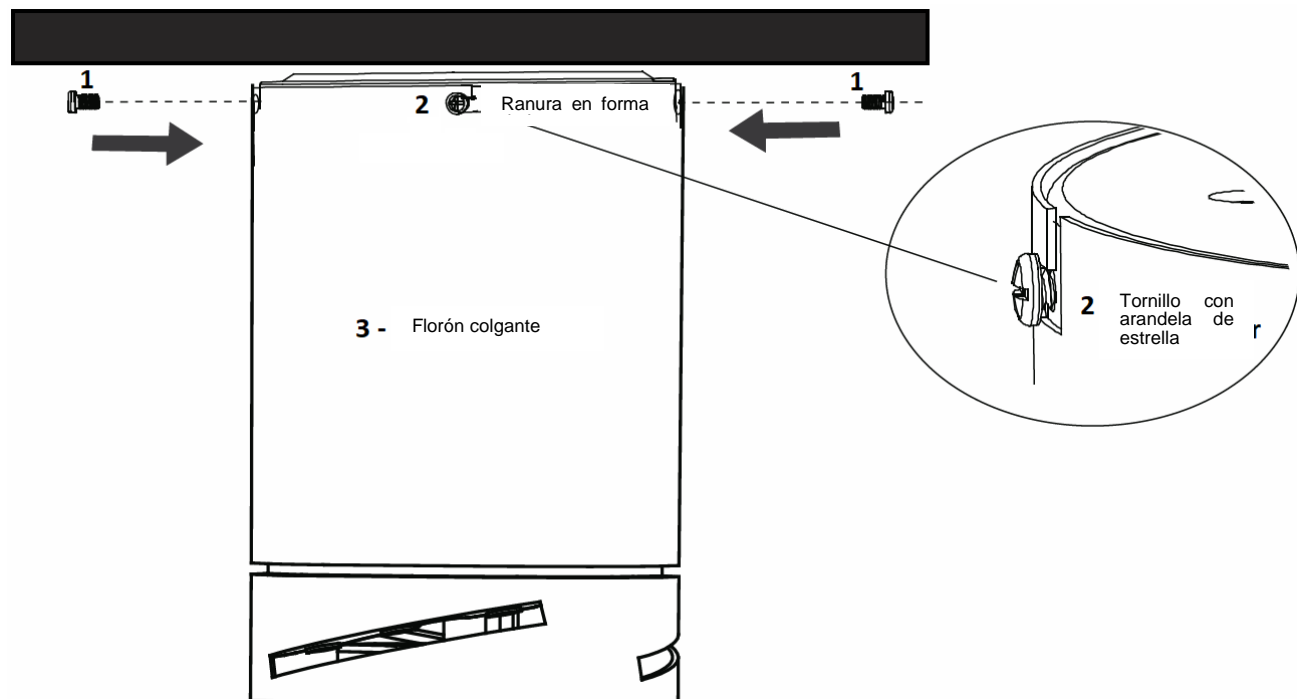
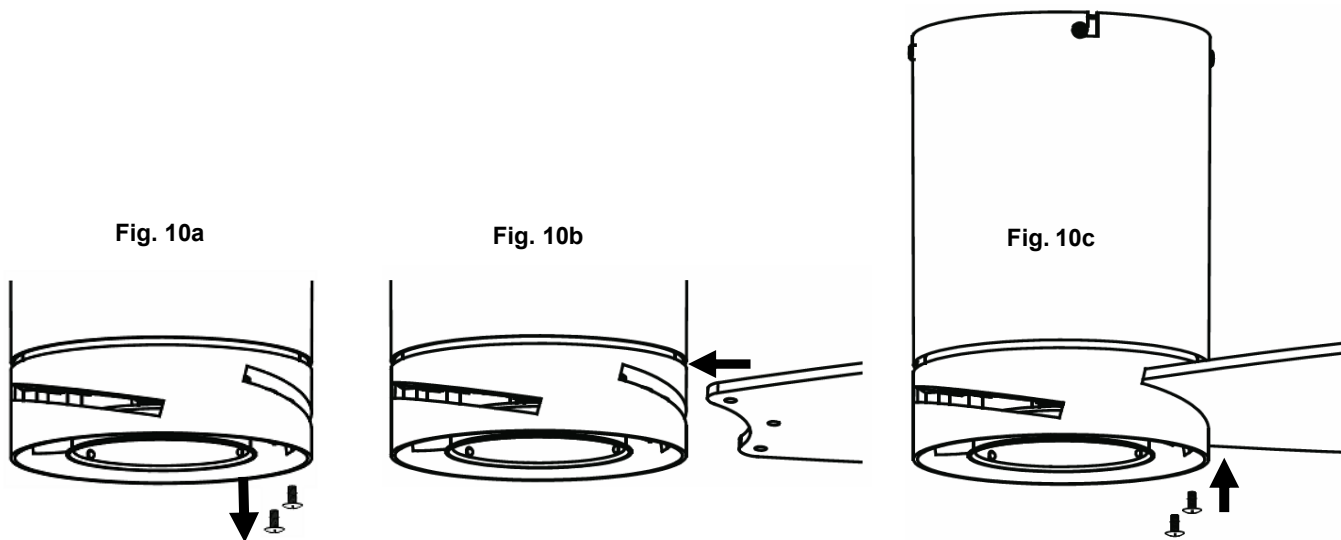


Fig. 9b

## INSTALACIÓN DE LA CUCHILLA DEL VENTILADOR Y EL JUEGO DE LUCES

### ACCESORIO DE LA CUCHILLA (Fig. 10)

1. Retire los 3 tornillos de la cuchilla del motor de ventilador (Fig. 10a) e inserte el extremo de montaje de la cuchilla en la ranura del tambor giratorio (Fig. 10b).
2. Alinee los 3 orificios de la cuchilla con los 3 orificios del tambor giratorio del ensamblaje del motor del ventilador y usando los 3 tornillos de la cuchilla, asegure la cuchilla al ensamblaje del motor del ventilador. Asegúrese que todos los tornillos estén ajustados uniformemente para reducir la probabilidad de deformación o desequilibrio. Cuide de no sobreajustar los tornillos, ya que esto puede dañar las cuchillas (Fig 10c).
3. Una vez completado, repita el proceso en las cuchillas restantes.



NOTA: ¡No opere el motor sin las cuchillas instaladas!

### INSTALACIÓN DEL JUEGO DE LUCES LED (FIG. 11)

**NOTA:** Para evitar cualquier posible descarga eléctrica, asegúrese de haber desconectado la alimentación eléctrica en el panel de circuito general

- Conecte los alambres del juego de luces al ensamblaje del motor a través del conector rápido,
- Instale el juego de luces en la parte del motor del ventilador y luego asegúrelo girándola en sentido horario.

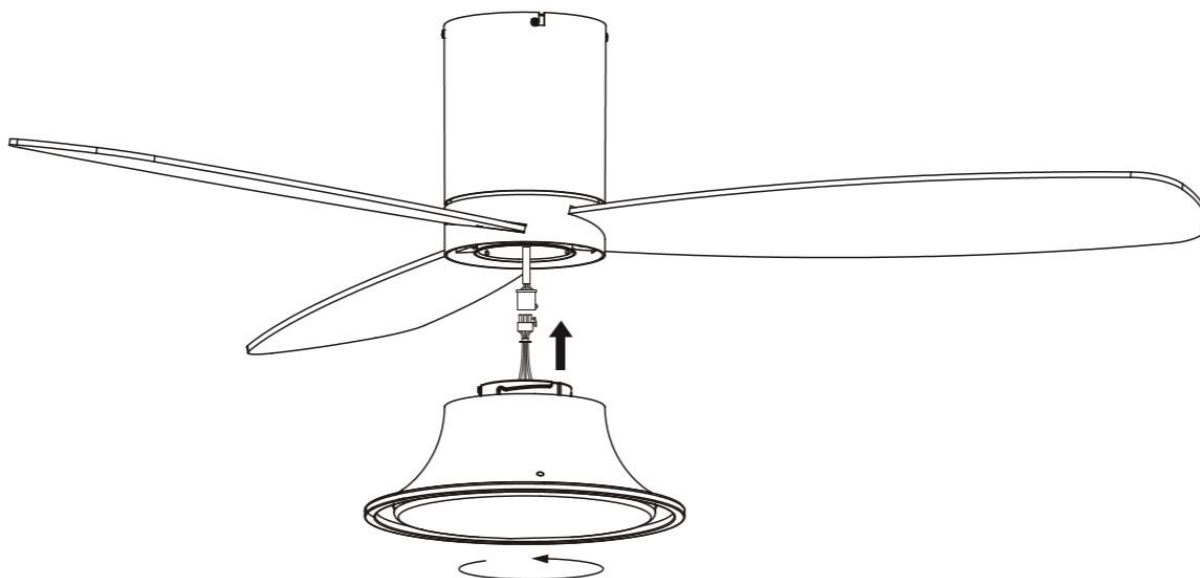


Fig. 11

**INSTALACIÓN DE LA LÁMPARA (Fig. 12)**

**NOTA:** La lámpara GX53 está preinstalada en el juego de luces. Siga los siguientes pasos para sustituir la lámpara.

- Afloje los tornillos de la placa superior del juego de luces (A).
- Retire la pantalla de la lámpara (C) del juego de luces (A).
- Retire y vuelva a colocar la lámpara GX53 (B). No exceda la potencia máxima nominal.
- Instale la pantalla de la lámpara (C) al juego de luces y asegúrela ajustando los tornillos.

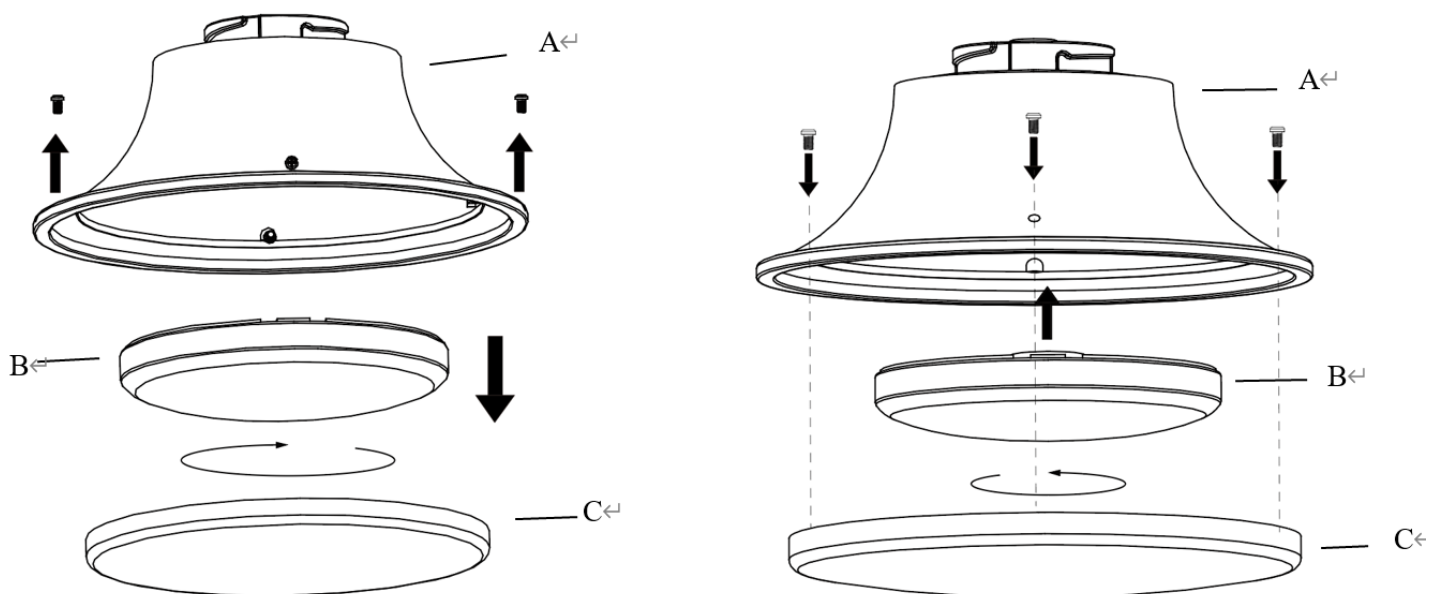
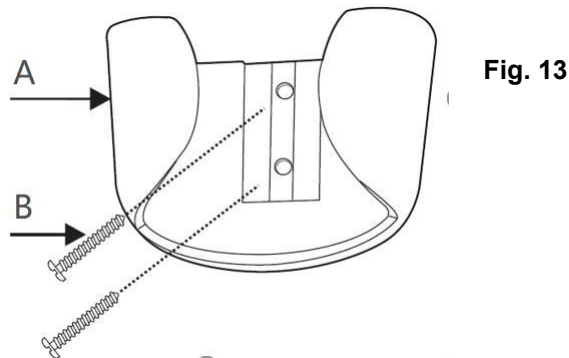


Fig. 12

## **INSTALACIÓN DEL SUJETADOR DEL CONTROL REMOTO (Fig. 13)**

Instale el sujetador (A) en la pared con los dos tornillos suministrados (B) y cuelgue el control remoto en el sujetador.

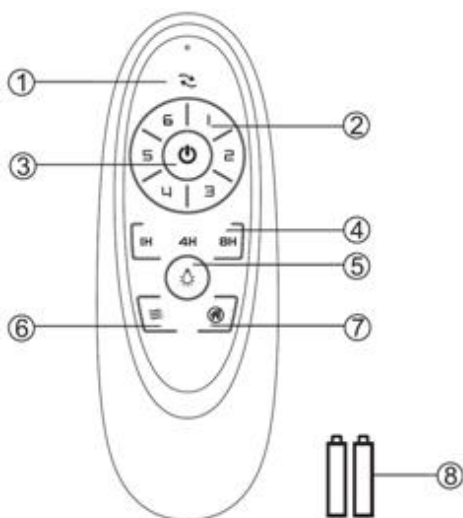


**Fig. 13**

## **USO DE SU VENTILADOR DE TECHO**

### **CONTROL REMOTO (Fig.14)**

4. Abra la tapa del compartimento de las pilas retirando el tornillo de seguridad e introduzca 2 pilas AAA. Tenga en cuenta la polaridad correcta de la pila (+/-) al insertarla y, a continuación, vuelva a colocar la tapa y fíjela con el tornillo.
5. Pruebe el control remoto manteniendo pulsado cualquier botón. Una luz LED roja se encenderá en la parte superior del mando para indicar que hay energía en el control remoto y que está listo para ser utilizado para controlar el ventilador.
6. Siga la siguiente guía para manejar el ventilador y aprender las funciones.



**Fig. 14**

1. Dirección del ventilador (interruptor de reversa)
2. Velocidad del ventilador
3. Encender/Apagar el ventilador
4. Control del tiempo del ventilador
5. Encender/Apagar la luz
6. Viento natural  
(El ciclo automático de la velocidad del ventilador es de entre 1 y 6 velocidades)
7. Función antirrobo  
(la luz se enciende 5~20 minutos cada 2 horas)
8. Pila AAA de 1.5 X 2pzas. (incluida)

## **REPARACIÓN DEL RECEPTOR DEL VENTILADOR Y EMPAREJAMIENTO CON EL CONTROL REMOTO**

**NOTA: El emparejamiento del control remoto y el receptor se ha realizado en fábrica.**

**Cuando el ventilador de techo esté instalado, NO es necesario emparejar el receptor del ventilador con el control remoto.**

Si el control remoto y el receptor pierden el control después de la instalación o durante el uso, el emparejamiento del control y el receptor debe ser reparado. A continuación se muestran los síntomas de funcionamiento y el método para reparar el emparejamiento del control remoto del ventilador de techo de CC y el receptor.

### **Problemas:**

- Pérdida de control - El ventilador sólo funciona a alta velocidad después de la instalación
- Pérdida de control - No hay función de reversa después de la instalación
- Pérdida de control - El control remoto no puede comunicarse con el receptor

### **Solución:**

- Desconecte la alimentación principal del ventilador de techo.
- Encienda la alimentación principal del ventilador de techo. Mantenga pulsado el botón de encendido/apagado del control remoto durante 5 segundos dentro de los 30 segundos siguientes al encendido. El receptor emitirá un pitido de notificación para indicar que el proceso de emparejamiento se ha realizado correctamente.
- Encienda y seleccione las diferentes velocidades del ventilador de techo para comprobar su funcionamiento.

**NOTA: el ventilador es un ventilador de corriente continua. Hay un poco de "tartamudeo" para el ventilador durante el emparejamiento, o En cualquier dirección de rotación, el ventilador haría un poco de "tartamudeo" antes de iniciar la rotación. Esto es normal.**

## **DESPUÉS DE LA INSTALACIÓN**

### **BAMBOLEO:**

NOTA: Los ventiladores de techo tienden a moverse cuando están en funcionamiento debido a que están armados sobre una arandela de caucho. Si el ventilador se montó en el techo de forma rígida, esto podría causar una vibración excesiva. Un movimiento de unos centímetros es aceptable y NO indica problema alguno.

**CÓMO REDUCIR EL BAMBOLEO DEL VENTILADOR:** Verifique todos los tornillos que fijan la abrazadera de montaje.

### **RUIDO:**

Cuando hay silencio (especialmente por la noche), es posible escuchar pequeños ruidos de vez en cuando. Las fluctuaciones ligeras de suministro eléctrico y las señales de frecuencia superpuestas en el control de agua caliente fuera de horas pico pueden causar cambios en el ruido del motor del ventilador. Esto es normal. Deje un periodo de ajuste de 24 horas y la mayoría de los ruidos asociados con el nuevo ventilador desaparecerán en dicho periodo de tiempo. Todos los motores eléctricos producen un cierto ruido. Tenga en cuenta que esto no es un problema del producto y que no está cubierto por la garantía.

### CUIDADOS Y LIMPIEZA

**NOTA: Apague siempre el ventilador del interruptor principal antes de realizarle cualquier operación de mantenimiento o de limpiarlo.**

- 1) El único mantenimiento que necesita el ventilador es una limpieza periódica cada 6 meses. Use un cepillo suave o un paño sin fibras para evitar arañar el acabado de pintura. Desconecte el suministro eléctrico antes de hacerlo.
- 2) No remoje ni sumerja el ventilador en agua ni en otros líquidos. Esto podría dañar el motor o las aspas y causar descargas eléctricas.
- 3) No permita que el ventilador entre en contacto con disolventes orgánicos ni con productos de limpieza.
- 4) Limpie las aspas solo con un paño húmedo y NO utilice disolventes orgánicos ni productos de limpieza.
- 5) El motor posee un rodamiento de bola permanentemente lubricado y no necesita engrasarse.

### INFORMACIÓN TÉCNICA

Dimensiones del ventilador	Velocidad	Voltios (V)	Amperios (A)	Vatios (W)	RPM	CFM	CFM/W	Peso neto (lbs)	C.F.
FLUSSO-52-US-***	Extra alta	120	0.46	30.28W	196	4128.10	136.33	11.2	1.69
	Media alta	120	0.25	15.08W	163	3346.73	221.93	11.2	1.69
	Baja	120	0.09	3.49W	97	1955.65	560.36	11.2	1.69

Estas medidas son aproximadas. No incluyen datos de lámparas o luminarias fijadas al ventilador de techo.

### GARANTÍA

1 año de garantía para todo el ventilador. Consulte la tarjeta de garantía para ver los detalles.

**F****NOUS VOUS FÉLICITONS DE VOTRE ACHAT**

Nous vous félicitons d'avoir acheté le dernier ventilateur de plafond à économie d'énergie. Ce ventilateur fonctionne sur une alimentation CC (courant continu), ce qui lui donne l'avantage d'être très économe en énergie tout en maintenant un mouvement d'air important et un fonctionnement silencieux.

**Économie d'énergie** - Le moteur à courant continu est la dernière technologie en matière de conception de ventilateurs. Son moteur à haut rendement permet d'économiser jusqu'à 65% d'énergie de plus que les ventilateurs de plafond équipés de moteurs à courant alternatif traditionnels.

**Fonctionnement silencieux** - Ce moteur de ventilateur à courant continu est programmé avec un courant stabilisé qui réduit efficacement le bruit du moteur.

**Faible température de fonctionnement** - L'alimentation en courant continu est gérée efficacement, ce qui réduit la température de fonctionnement du moteur à moins de 50°C. Il en résulte un moteur beaucoup plus froid qu'un ventilateur CA standard et augmente la longévité du moteur.

**Télécommande à 6 vitesses** - Les ventilateurs de plafond CA ordinaires sont généralement livrés avec seulement 3 vitesses, ce ventilateur CC est livré avec une télécommande à 6 vitesses, ce qui offre un plus grand choix de niveaux de confort.

**PRÉCAUTIONS DE SÉCURITÉ****Lisez et conservez ces instructions**

Ce produit est conforme à la norme UL 507 et à la norme CSA STD. C22.2 NO.113.

1. **AVERTISSEMENT** - Pour éviter tout risque d'électrocution, avant d'installer ou de réparer votre ventilateur, débranchez l'alimentation électrique en désactivant le disjoncteur de la boîte à fusibles de la prise de courant.
2. **AVERTISSEMENT** - Pour réduire les risques d'incendie, de choc électrique ou de blessures, montez-le sur le boîtier de sortie marqué « adapté au support de ventilateur de 35 livres (15,9 kg) ou moins » et utilisez les vis de montage fournies avec le boîtier de sortie et / ou le support directement à partir de la structure du bâtiment. La plupart des boîtiers de sortie couramment utilisés pour le support des luminaires peuvent ne pas être adaptés pour le support de ventilateurs et doivent éventuellement être remplacés. Consultez un électricien qualifié en cas de doute.
3. Convient pour une utilisation avec des commandes de vitesse à semi-conducteurs.
4. **AVERTISSEMENT** - Pour réduire les risques de blessures, ne tordez pas les supports de pale lors de l'installation des supports de pale, lors de l'équilibrage des pales ou lors du nettoyage du ventilateur. N'insérez pas d'objets étrangers entre les pales du ventilateur en rotation.
5. **ATTENTION** - Tout le câblage doit être conforme au code électrique national (ANSI / NFPA 70) et aux codes électriques locaux. Si vous ne connaissez pas le câblage, faites appel à un électricien qualifié.
6. Pour réduire les risques de blessures, le ventilateur doit être monté avec un dégagement minimum de 7 pieds du bord inférieur des pales au sol.
7. Après avoir marqué les connexions électriques, les conducteurs épissés doivent être tournés vers le haut et poussés avec précaution dans le boîtier de sortie. Les fils doivent être écartés avec le conducteur mis à la terre et le conducteur de mise à la terre de l'équipement sur un côté du boîtier de sortie.
8. Cet équipement a été testé et déclaré conforme aux limites imposées aux appareils numériques de classe B, conformément à la section 15 des règles de la FCC. Ces limites doivent fournir une protection raisonnable contre les interférences nuisibles dans une installation résidentielle. Cet équipement génère, utilise et peut émettre de l'énergie de fréquence radio. S'il n'est pas installé et utilisé conformément aux



instructions, il peut causer des interférences nuisibles aux communications radio.

9. ATTENTION - Pour réduire le risque de choc électrique, débranchez le circuit d'alimentation électrique du ventilateur avant d'installer le kit d'éclairage.
10. Le poids de la plaque du kit d'éclairage est de 0,65 kg.

## LISTE DES PIÈCES

- Déballez votre ventilateur de plafond et identifiez soigneusement les pièces. Retirez toutes les pièces et le matériel.
- Disposez tous les composants sur une surface lisse et assurez-vous qu'aucun composant ne manque avant l'assemblage. S'il manque des pièces, renvoyez le produit complet au lieu d'achat pour le faire inspecter ou remplacer.
- Vérifiez si le ventilateur de plafond a été endommagé pendant le transport. N'utilisez / n'installez aucun produit qui semble endommagé de quelque manière que ce soit. Renvoyez le produit complet au lieu d'achat pour le faire inspecter, réparer ou remplacer.
- Examinez et identifiez les pièces. Veuillez vous référer au **schéma 1**.

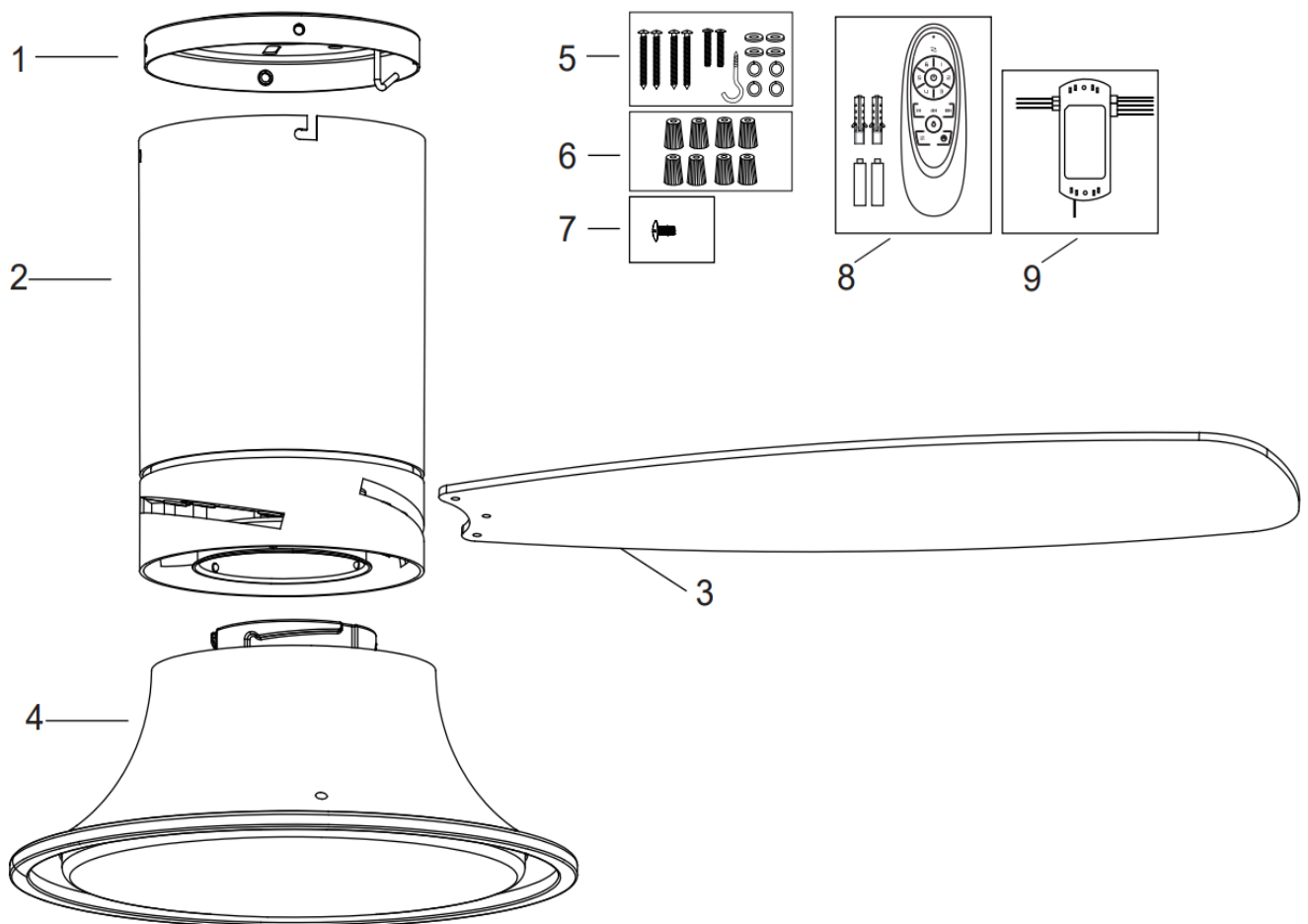


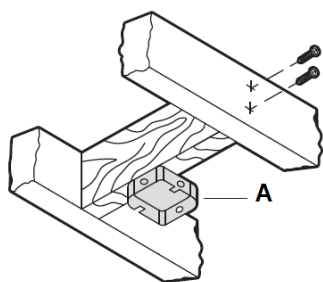
Schéma 1

1	Support de montage x 1	5	• Vis à bois x 4
2	Assemblage du ventilateur x 1		• Vis à métaux x 2
3	Pale x 3		• Rondelle plate x 4 et rondelle élastique x 4
4	Kit d'éclairage LED x 1		• Crochet de sécurité
6	Écrou de fil x 8	8	Télécommande x 1 set
7	Vis de moteur et rondelle pour pale x 1	9	Récepteur x 1 set

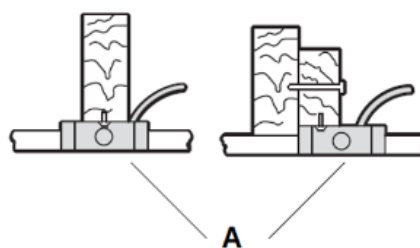
## INSTALLATION DU SUPPORT DE MONTAGE

S'il n'y a pas de boîtier de boîtier de sortie existant, installez-en un en suivant les instructions suivantes :

- Déconnectez l'alimentation en retirant les fusibles ou en désactivant les disjoncteurs.
- Fixez le boîtier de sortie (A) (non inclus) directement à la structure du bâtiment. Utilisez les fixations et le matériel appropriés (non inclus). Le boîtier de sortie et son support doivent être en mesure de supporter pleinement le poids du ventilateur en mouvement (au moins 35 livres). N'utilisez pas de boîtier de sortie en plastique.
- Les schémas 2 et 3 ci-dessous illustrent trois manières différentes de monter le boîtier de sortie (A) (non fourni).



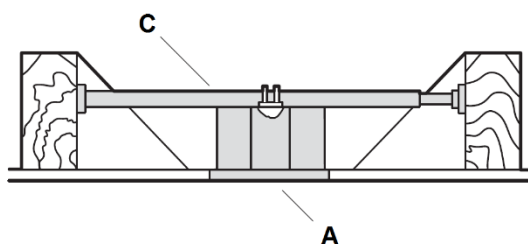
**Schéma 2**



**Schéma 3**

**REMARQUE :** Le ventilateur de plafond doit être installé dans un endroit tel que les pales soient espacées de 300 mm de la pointe de la pale jusqu'aux objets ou aux murs les plus proches.

Pour suspendre votre ventilateur là où il y a un luminaire existant mais pas de solive de plafond, vous aurez peut-être besoin d'une barre de suspension d'installation (C), comme illustré sur le **schéma 4**. Assurez-vous que la barre de suspension que vous avez achetée a été conçue pour être utilisée avec un ventilateur de plafond.



**Schéma 4**

### **INSTALLATION SUR UN PLAFOND INCLINÉ**

Le système de suspension de ce ventilateur convient **UNIQUEMENT** à une installation sur un plafond plat. **N'installez PAS ce ventilateur sur un plafond incliné.**

## SUSPENSION DU VENTILATEUR

### INSTALLATION DU SUPPORT DE MONTAGE

Passez les fils d'alimentation (C) du boîtier de sortie de plafond (B) par le centre du support de montage au plafond (D). Installez le support de montage au plafond (D) sur le boîtier de sortie (B) à l'aide des vis de montage (F) fournies avec le boîtier de sortie, et les rondelles (E) fournies avec le ventilateur. **Schéma 5**

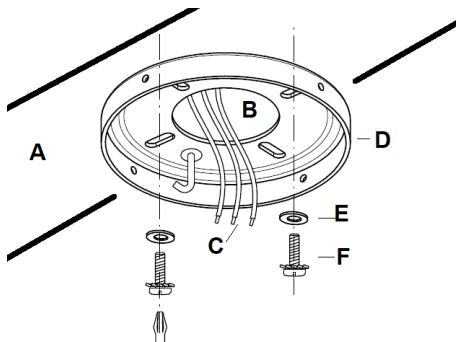


Schéma 5

### SUSPENSION DU BOÎTIER MOTEUR DU VENTILATEUR

- Soulevez l'ensemble du ventilateur (1) jusqu'à l'embout de montage. Accrochez le ventilateur au crochet en J (2) du support de montage. (Schéma 6)

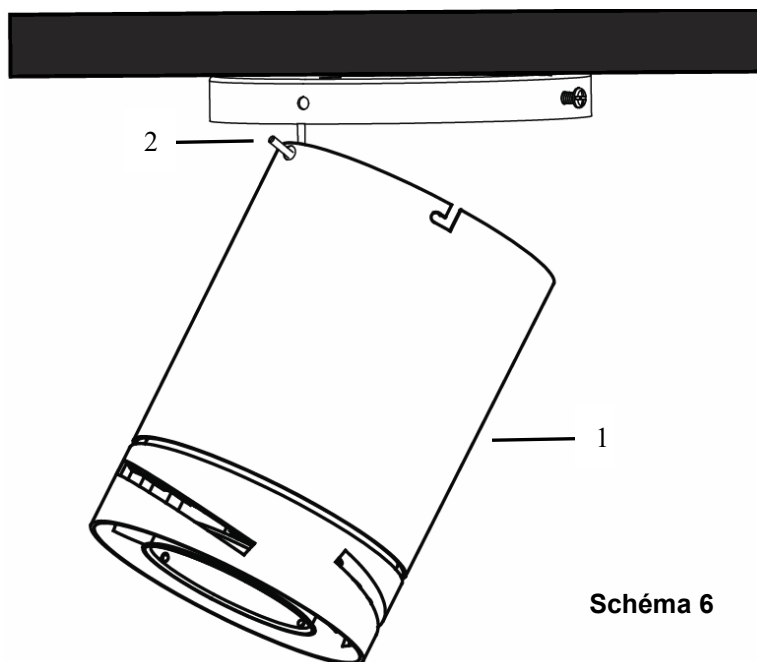


Schéma 6

- Complétez le câblage électrique conformément à la section « SCHÉMA DE CÂBLAGE ÉLECTRIQUE » ci-dessous. (Schéma 7)

**Remarque :** Le ventilateur Flusso est un ventilateur à technologie CC et ne peut pas être utilisé avec un interrupteur mural CA. En cas d'utilisation d'un interrupteur mural, utilisez un interrupteur mural à bascule marche/arrêt uniquement, laissez-le toujours en position de marche et utilisez la télécommande.

## SCHÉMA DE CÂBLAGE ÉLECTRIQUE

**AVERTISSEMENT :** Pour éviter tout risque d'électrocution, assurez-vous d'avoir coupé l'alimentation au niveau du panneau de circuit principal..

Suivez les étapes ci-dessous pour connecter le ventilateur au câblage de votre domicile. Utilisez les écrous de connexion des fils fournis avec votre ventilateur. Fixez les connecteurs avec du ruban isolant. Assurez-vous qu'il n'y a pas de brins de fils ou de connexions desserrés.

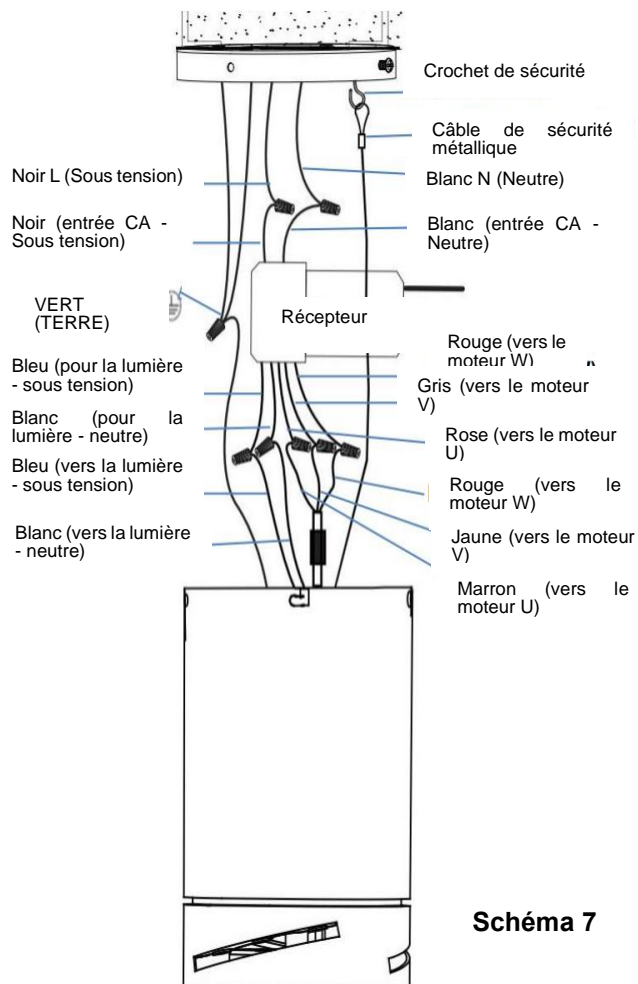


Schéma 7

1. Raccordez le fil d'alimentation secteur domestique (noir) au fil d'entrée du récepteur (noir, entrée CA - sous tension), comme illustré sur le (schéma 7)
2. Connectez le fil d'alimentation neutre (blanc) au fil d'entrée du récepteur (blanc, entrée CA Neutre).
3. Connectez le fil de terre domestique au fil de terre du support de ventilateur (vert) et au fil de terre du boîtier du ventilateur.
4. Connectez le fil de sortie du récepteur (blanc, pour la lumière - Neutre) au fil d'entrée du moteur (blanc, lumière).
5. Connectez le fil de sortie du récepteur (bleu, pour la lumière - Sous tension) au fil d'entrée du moteur (bleu, vers la lumière - sous tension).
6. Connectez le fil de sortie du récepteur (rose, vers le moteur U) au fil d'entrée du moteur (marron, vers le moteur U).

7. Connectez le fil de sortie du récepteur (gris, vers le moteur V) au fil d'entrée du moteur (jaune, vers le moteur V).

8. Connectez le fil de sortie du récepteur (rouge, vers le moteur W) au fil d'entrée du moteur (rouge, vers le moteur W)

9. Tirez le câble de sécurité sur la vis à crochet et serrez-le, attachez le câble de sécurité et la vis à crochet avec le serre-câble. (Schéma 8)

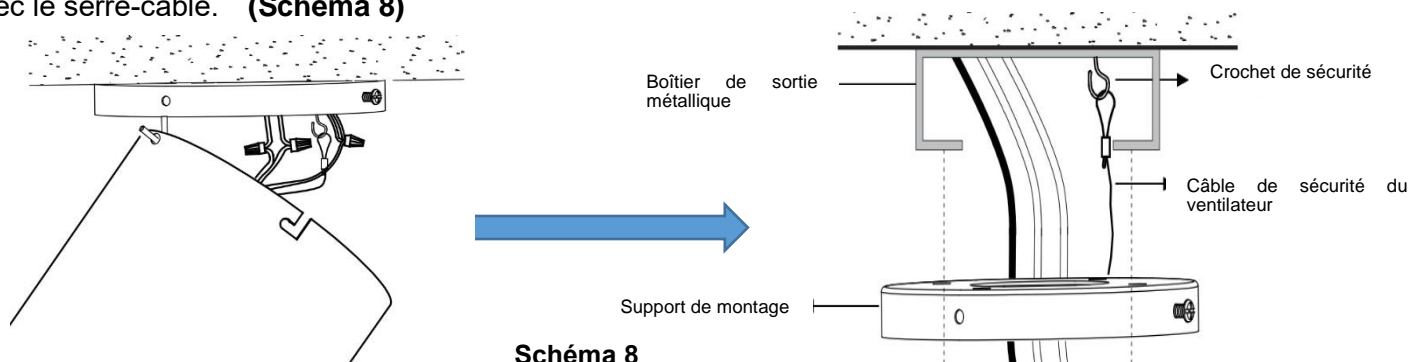


Schéma 8

10. Après avoir connecté les fils, tournez les écrous de connexion vers le haut et poussez le câblage dans le cache de suspension du ventilateur.

11. Placez soigneusement le récepteur dans le cache suspendu du ventilateur. Veillez à ne pas endommager ni desserrer le câblage.

## INSTALLATION DE L'ASSEMBLAGE DU VENTILATEUR SUR LE SUPPORT DE MONTAGE

Installez le ventilateur sur le support de montage (**Schéma 9a & schéma 9b**): :

- Desserrez les deux vis du cache (1) et retirez-les du support de montage.
- Desserrez les deux vis du cache avec la rondelle en étoile (2) d'un demi-filetage du support de montage. (Pour la fente en forme de L sur le cache à monter).

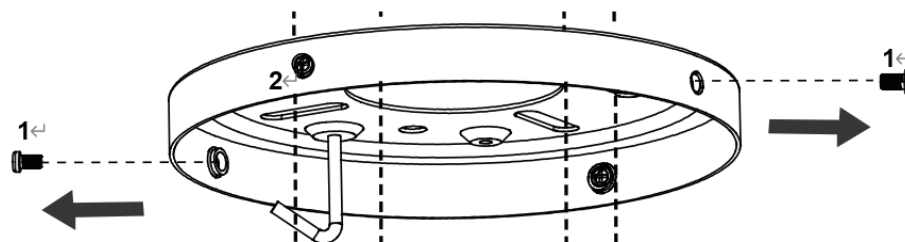


Schéma 9a

- Soulevez le cache suspendu (3) de l'assemblage du ventilateur jusqu'au support de montage et laissez la fente en forme de L du cache suspendu (3) passer à travers les deux vis du cache avec la rondelle en étoile (2). (**Schéma 9b**)
- Tournez le cache suspendu (3) jusqu'à ce qu'il se verrouille en place à l'extrémité de la fente en forme de L, en veillant à ce que la rondelle en étoile se trouve entre le cache suspendu (3) et la tête de la vis. Fixez-le en serrant les deux vis de la cache avec la rondelle en étoile (2).
- Fixez et serrez les vis du cache (1) sur le support de montage. Le cache suspendu (3) doit comporter 4 vis (1) et (2) au total. Évitez d'endommager le câblage électrique préparé précédemment lorsque vous suspendez le cache.

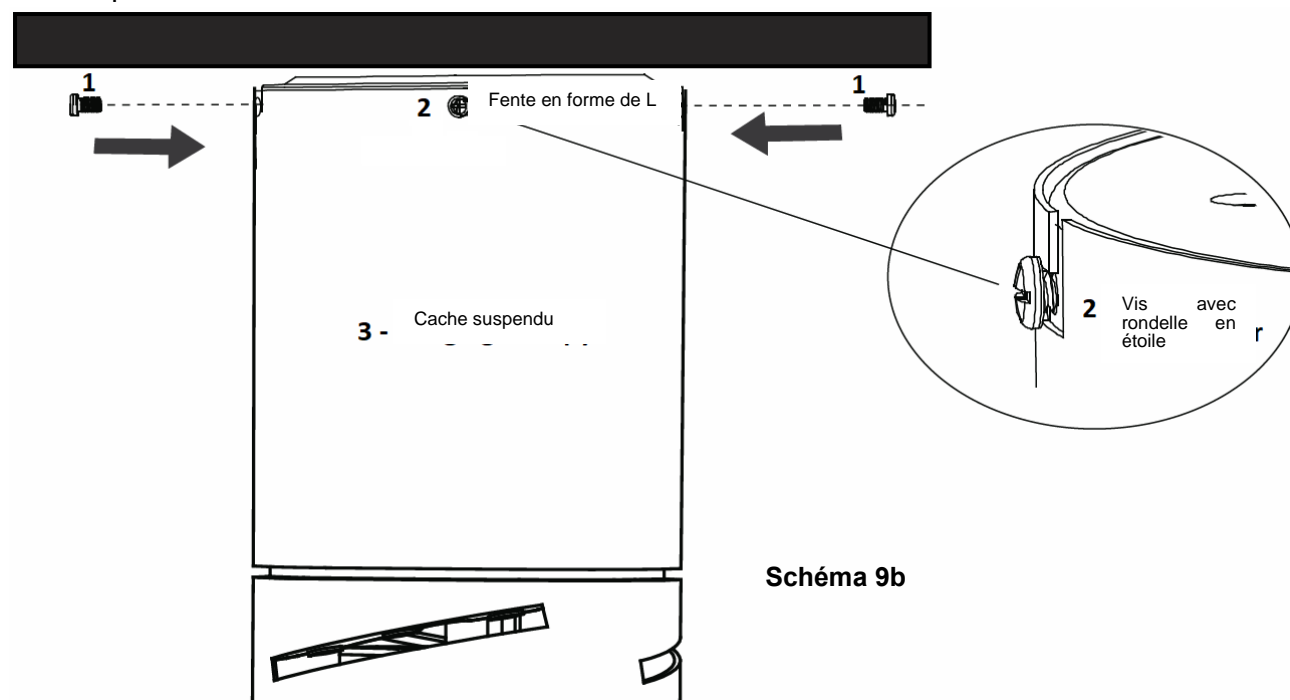
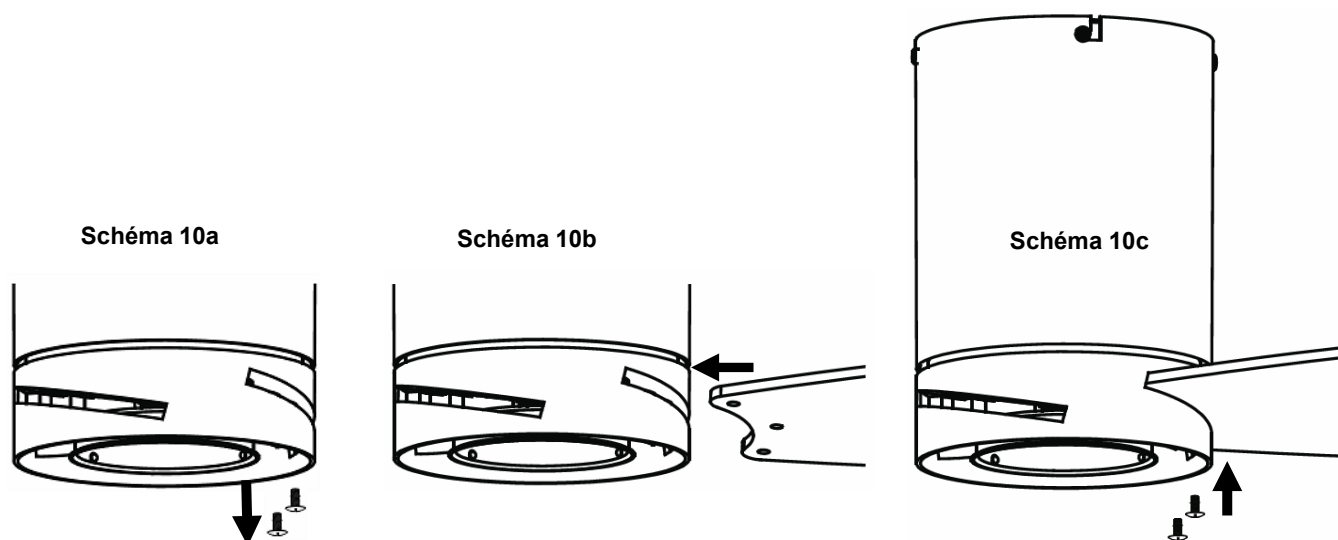


Schéma 9b

## INSTALLATION DES PALES DU VENTILATEUR ET DU KIT D'ÉCLAIRAGE

### FIXATION DES PALES (schéma 10)

1. Retirez les 3 vis des pales du moteur du ventilateur (schéma 10a), et insérez l'extrémité de montage des pales dans la fente du tambour rotatif (schéma 10b).
2. Alignez les 3 trous de la pale avec les 3 trous du tambour rotatif du moteur du ventilateur et utilisez les 3 vis de la pale pour fixer la pale à l'assemblage du moteur du ventilateur. Assurez-vous que toutes les vis sont serrées uniformément pour réduire les risques de déformation ou de déséquilibre. Veillez à ne pas trop serrer les vis, car cela pourrait endommager les lames (schéma 10c).
3. Une fois terminé, répétez le processus sur les pales restantes.



**REMARQUE** : Ne faites pas tourner le moteur sans les pales installées !

### INSTALLATION DU KIT D'ÉCLAIRAGE LED ( SCHÉMA 11)

**REMARQUE** : Pour éviter tout risque d'électrocution, assurez-vous d'avoir coupé l'alimentation au niveau du panneau de circuit principal.

- Connectez les fils du kit d'éclairage à la partie moteur via le connecteur rapide.
- Installez le kit d'éclairage sur l'assemblage du ventilateur puis fixez-le en le tournant dans le sens des aiguilles d'une montre.

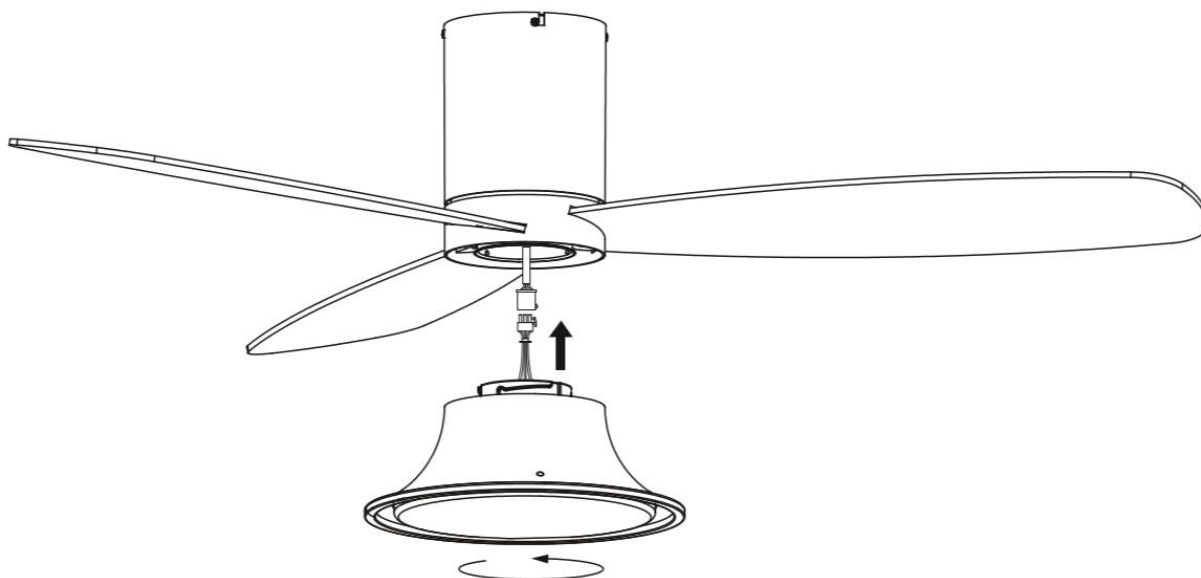


Schéma 11

**INSTALLATION DE LA LAMPE (Schéma 12)**

**REMARQUE :** La lampe GX53 est pré-installée dans le kit d'éclairage. Suivez les étapes ci-dessous pour remplacer la lampe.

- Desserrez les vis du bord supérieur du kit d'éclairage (A).
- Retirez l'abat-jour (C) du kit d'éclairage (A).
- Retirez et remplacez la lampe GX53 (B). Ne dépassez pas la puissance nominale maximale.
- Remettez l'abat-jour (C) dans le kit d'éclairage (A) et fixez-le en serrant les vis.

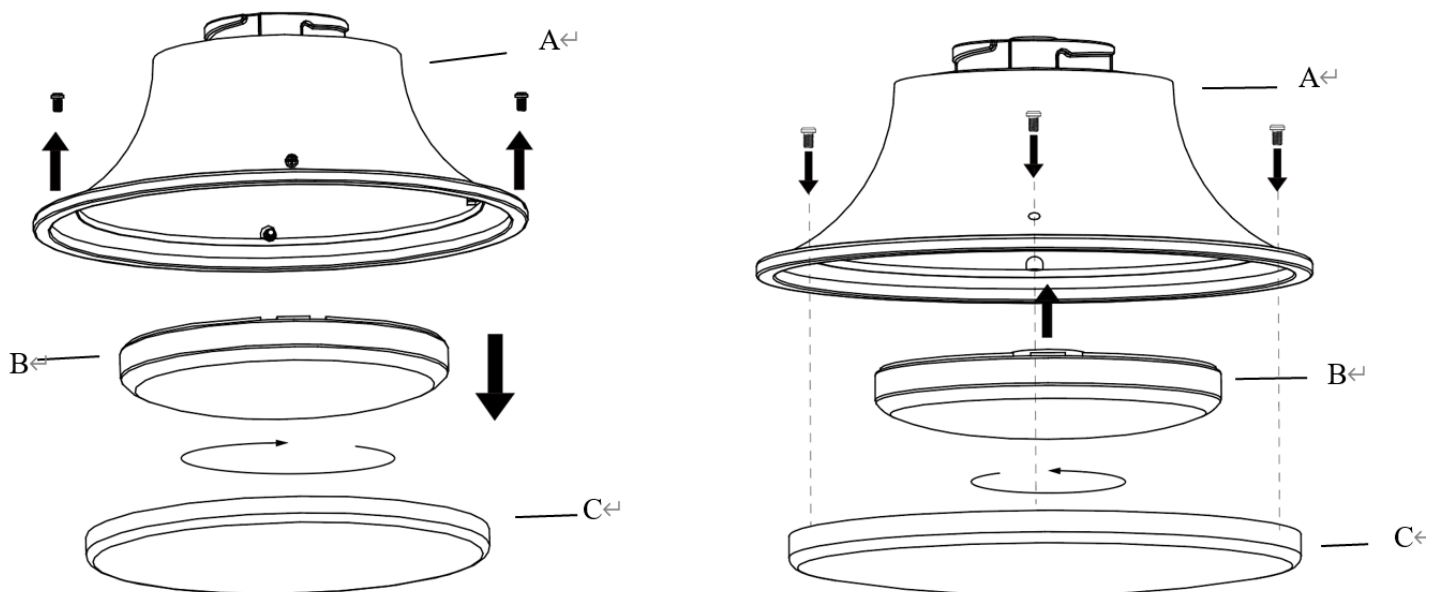


Schéma 12



## **INSTALLATION DU SUPPORT DE TÉLÉCOMMANDE (Schéma 13)**

Installez le support (A) au mur avec les deux vis fournies (B), suspendez la télécommande sur le support.

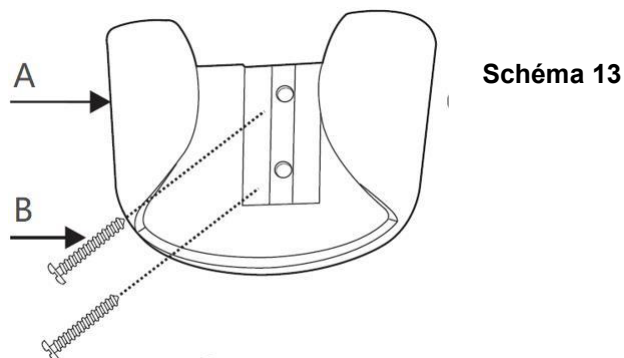


Schéma 13

## **UTILISATION DE VOTRE VENTILATEUR DE PLAFOND**

### **TÉLÉCOMMANDE (Schéma 14)**

- Ouvrez le couvercle du compartiment des piles en retirant la vis de fixation et insérez 2 piles de type AAA. Respectez le sens des polarités (+/-) des piles lorsque vous les insérez, puis remettez le couvercle en place et fixez-le avec la vis.
- Testez la télécommande en appuyant sur n'importe quel bouton et en le maintenant enfoncé. Une LED rouge s'allumera en haut de la télécommande pour indiquer que la télécommande est sous tension et qu'elle est prête à être utilisée pour contrôler le ventilateur.
- Suivez le guide ci-dessous pour faire fonctionner le ventilateur et apprendre ses fonctions.

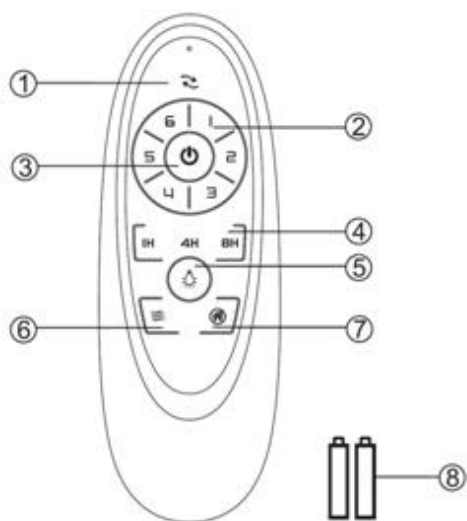


Schéma 14

- Direction du ventilateur (interrupteur de marche arrière)
- Vitesse du ventilateur
- Marche / Arrêt du ventilateur
- Contrôle de la temporisation du ventilateur
- Allumer / éteindre la lumière
- Vent naturel  
(La vitesse automatique du ventilateur oscille entre 1 et 6 vitesses)
- Fonction antiviol  
(la lumière s'allume 5 à 20 minutes toutes les 2 heures)
- 2 piles de type 1,5 V AAA (incluses)

## **RÉ-APPARIEMENT DU RÉCEPTEUR DU VENTILATEUR ET DE LA TÉLÉCOMMANDE**

**REMARQUE : L'appariement de la télécommande et du récepteur a été effectué en usine.**

**Lorsque le ventilateur de plafond est installé, il n'est PAS nécessaire d'apparier le récepteur du ventilateur et la télécommande.**

Si la télécommande et le récepteur perdent le contrôle après l'installation ou pendant l'utilisation, l'appariement de la télécommande et du récepteur doit être effectué de nouveau. Vous trouverez ci-dessous les symptômes de dysfonctionnement et la méthode pour ré-apparier la télécommande et le récepteur du ventilateur de plafond CC.

## **Problèmes :**

- Perte de contrôle - Le ventilateur ne fonctionne qu'à grande vitesse après l'installation.
- Perte de contrôle - Pas de fonction inverse après l'installation.
- Perte de contrôle - La télécommande ne peut pas communiquer avec le récepteur.

## **Solutions :**

- Coupez l'alimentation principale du ventilateur de plafond.
- Activez l'alimentation principale du ventilateur de plafond. Appuyez sur le bouton Marche / Arrêt de la télécommande et maintenez-le enfoncé pendant 5 secondes dans les 30 secondes qui suivent la mise sous tension. Le récepteur émettra un bip sonore pour indiquer que le processus d'appariement a réussi.
- Mettez le ventilateur de plafond en marche et sélectionnez les différentes vitesses du ventilateur de plafond pour vérifier le fonctionnement du ventilateur.

**REMARQUE : le ventilateur est un ventilateur à courant continu. Un léger « balbutiement » fa lieu lors de l'appariement. Dans l'un ou l'autre sens de rotation, le ventilateur montrera un certain « balbutiement » avant de commencer la rotation ; ce phénomène est normal.**

## **APRÈS L'INSTALLATION**

### **TREMBLEMENTS :**

REMARQUE : les ventilateurs de plafond ont tendance à bouger en cours de fonctionnement car ils sont montés sur un œillet en caoutchouc. Si le ventilateur était monté de manière rigide au plafond, cela provoquerait des vibrations excessives. Un mouvement de quelques centimètres est tout à fait acceptable et NE suggère AUCUN problème.

**POUR RÉDUIRE LES TREMBLEMENTS DU VENTILATEUR :** Veuillez vérifier que toutes les vis qui fixent le support de montage sont bien serrées.

### **BRUIT :**

Lorsque l'environnement est calme (surtout la nuit), vous pouvez entendre de petits bruits occasionnels. De légères fluctuations de puissance et des signaux de fréquence superposés à l'électricité pour le contrôle de l'eau chaude en période creuse peuvent provoquer une modification du bruit du moteur du ventilateur. Ce phénomène est normal. Veuillez prévoir une période de « rodage » de 24 heures, la plupart des bruits associés à un nouveau ventilateur disparaissent après cette période. Tous les moteurs électriques sont audibles dans une certaine mesure. Veuillez noter qu'il ne s'agit pas d'un défaut du produit et que, de ce fait, il n'est pas couvert par la garantie.

### ENTRETIEN ET NETTOYAGE

**REMARQUE : Coupez toujours l'alimentation au niveau de l'interrupteur principal avant d'effectuer tout entretien ou de tenter de nettoyer votre ventilateur.**

- 1) Tous les 6 mois, le nettoyage périodique de votre ventilateur de plafond est le seul entretien requis. Utilisez une brosse douce ou un chiffon non pelucheux pour éviter de rayer la peinture. Veuillez couper l'alimentation électrique lorsque vous procédez au nettoyage
- 2) Ne faites pas tremper ni immerger le produit dans de l'eau ou d'autres liquides. Cela pourrait endommager le moteur ou les pales et créer un risque de choc électrique.
- 3) Assurez-vous que le raccord n'entre pas en contact avec des solvants organiques ou des produits de nettoyage.
- 4) Pour nettoyer les pales du ventilateur, essuyez-les uniquement avec un chiffon propre et humide, SANS solvants ni détergents organiques.
- 5) Le moteur est doté d'un roulement à billes lubrifié en permanence, il n'est donc pas nécessaire de lubrifier.

### INFORMATIONS TECHNIQUES

Dimensions du ventilateur	Vitesse	Volts (V)	Amps (A) (A)	Watts (W)	TR / MIN	CFM	CFM/W	Poids net (livres)	C.F.
FLUSSO-52-US-***	Extra-rapide	120	0,46	30,28 W	196	4128,10	136,33	11,2	1,69
	Moyenne ment rapide	120	0,25	15,08 W	163	3346,73	221,93	11,2	1,69
	Faible	120	0,09	3,49 W	97	1955,65	560,36	11,2	1,69

Ce sont des mesures approximatives. Elles ne comprennent pas les données pour les lampes ou les luminaires fixés au ventilateur de plafond.

### GARANTIE

La garantie d'un an couvre l'ensemble du ventilateur. Veuillez vous référer à la carte de garantie pour les détails.