

FANAWAY ORBIT CEILING FAN

- **INSTALLATION**
- **OPERATION**
- **MAINTENANCE**
- **WARRANTY INFORMATION**

CAUTION

READ INSTRUCTIONS CAREFULLY FOR SAFE

INSTALLATION AND FAN OPERATION.

For customer support, please contact:

Tel: +1 (949) 800 8488 Email: support@beaconlighting.us

US Patent 8317470, 8807938, 8790085, 9255584, 8851841

www.beaconlighting.us

V1.0 (7 /2021)



THANK YOU FOR PURCHASING

Thank you for purchasing this quality Fanaway product. To ensure correct function and safety, please read and follow all instructions before assembly, installation and use of this ceiling fan. Please keep instructions for future reference.

SAFETY PRECAUTIONS

Read and Save These Instructions

This product conforms to UL standard 507 and CSA STD. C22.2 NO.113.

1. **WARNING** -To avoid possible electrical shock, before installing or servicing your fan, disconnect the power by turning off the circuit breaker of the fuse box to the outlet box.
2. **WARNING** - To reduce the risk of fire, electric shock, or personal injury, mount to outlet box marked “acceptable for fan support of 35 lbs (15.9 kg) or more” and use the mounting screws provided with the outlet box and/or support directly from building structure. Most outlet boxes commonly used for the support of luminaires may not be acceptable for fan support and may need to be replaced. Consult a qualified electrician if in doubt.
3. Suitable for use with solid-state speed controls
4. **WARNING** - To reduce the risk of personal injury, do not bend the blade brackets when installing the blade brackets balancing the blades, or cleaning the fan. Do not insert foreign objects in between rotating fan blades.
5. **CAUTIONS** - All wiring must be in accordance with the National Electrical Code (ANSI/NFPA 70) and local electrical codes. If you are unfamiliar with wiring, use a qualified electrician.
6. To reduce the risk of injury to person, the fan must be mounted with a minimum of 7 feet clearance from the bottom edge of the blades to the floor.
7. After marking electrical connections, spliced conductors should be turned upward and pushed carefully up into the outlet box. The wires should be spread apart with the grounded conductor and the equipment-grounding conductor on one side of the outlet box.
8. This equipment has been tested and found to comply with the limits for a Class B digital device, pursuant to part 15 of the FCC rules. These limits are to provide reasonable protection against harmful interference in a residential installation. This equipment generates, uses and can radiate radio frequency energy and if not installed and used in accordance with the instructions may cause harmful interference to radio communications.
9. **CAUTION** - To reduce the risk of electric shock, disconnect the electrical supply circuit to the fan before installing light kit.
10. The light kit plate weight is 1.56kg.
11. Use Only With Light Kits Marked Suitable For Use In Damp Locations.

PARTS LIST

- Unpack your ceiling fan and carefully. Remove all parts and hardware.
- Lay out all the components on a smooth surface and make sure there are no components missing before assembling. If parts are missing, return the complete product to the place of purchase for inspection or replacement.
- Check whether the ceiling fan has been damaged during transport. Do not operate/install any product which appears damaged in any way. Return the complete product to the place of purchase for inspection, repair or replacement.
- Examine and identify the parts. Please refer to **Fig 1**.

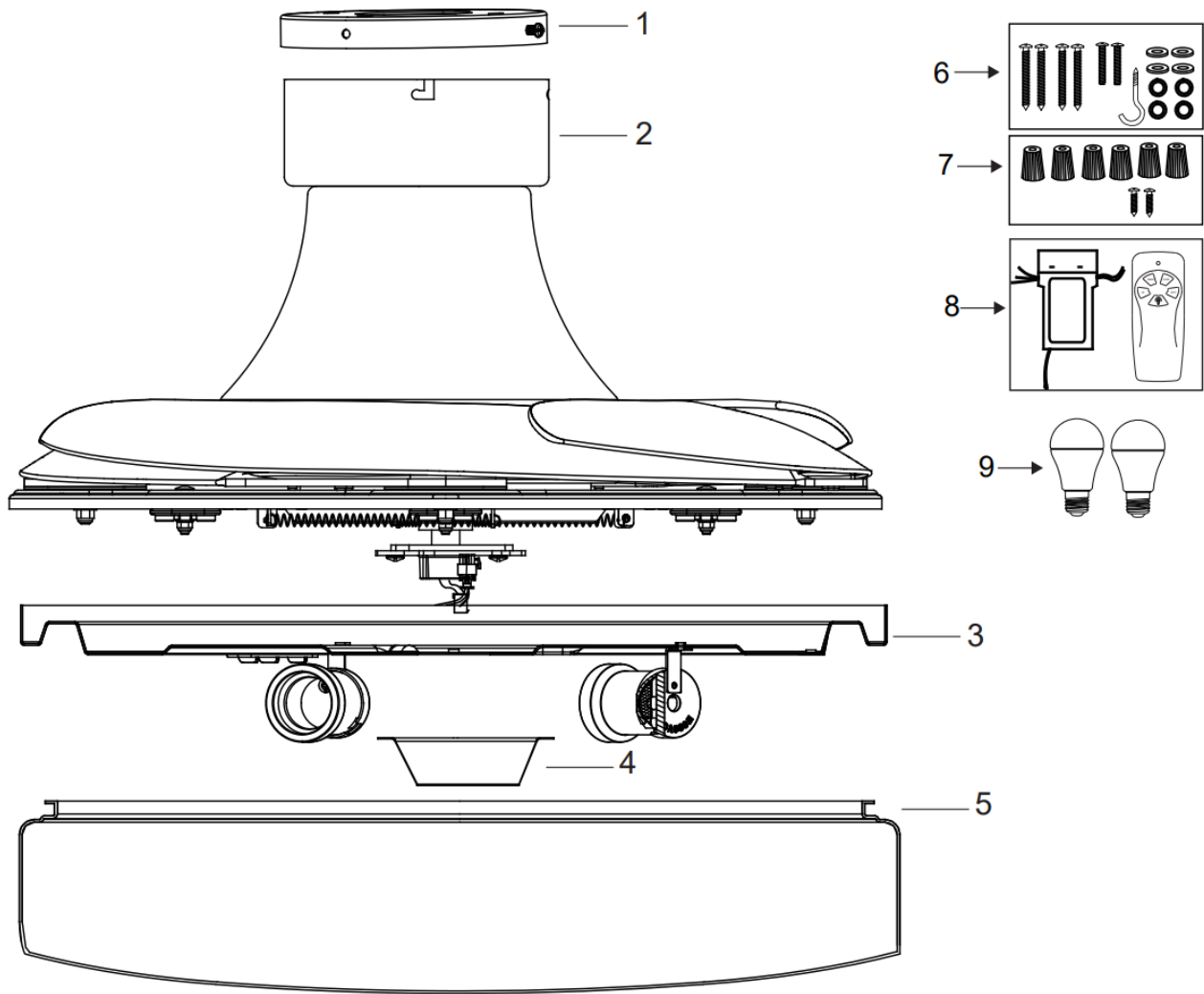


Fig. 1

1	Mounting bracket x 1	6	• Wood screw x 4
2	Fan assembly x 1		• Machine screw x 2
3	Light kit plate x 1		• Flat washer x 4 and Spring washer x 4
4	Cover x 1		• Security Hook
5	Lamp Shade x 1	7	Wire nut x 6 & screws x 2
8	Receiver & Remote x 1 Set	9	LED bulb x 2

INSTALLING THE MOUNTING BRACKET

If there isn't an existing outlet box, then install one using the following instructions:

- Disconnect the power by removing the fuses or turning off the circuit breakers.
- Secure the outlet box (A) (not included) directly to the building structure. Use appropriate fasteners and materials (not included). The outlet box and its bracing must be able to fully support the weight of the moving fan (at least 35 lbs). Do not use a plastic outlet box.
- **Figures 2-3** below show different ways to mount the outlet box (A) (not included).

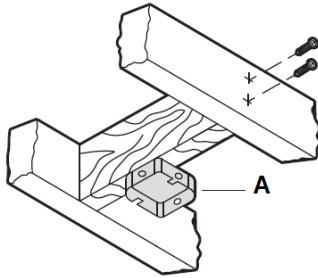


Fig. 2

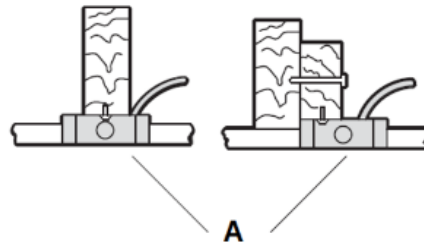


Fig. 3

NOTE: The ceiling fan must be installed in a location so that the blades are spaced 300mm from the tip of the blade to the nearest objects or walls.

To hang your fan where there is an existing fixture but no ceiling joist, you may need an installation hanger bar (C) as shown in **Fig.4**. Make sure the hanger bar you purchase has been designed for use with ceiling fans.

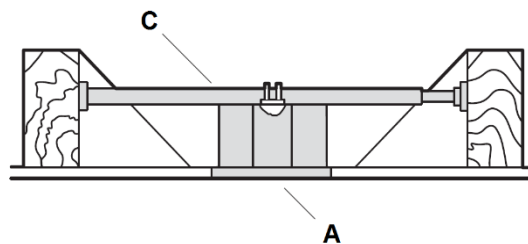


Fig. 4

ANGLED CEILING INSTALLATION

The hanging system of this fan is **ONLY** suitable for flat ceiling installation.

DO NOT install the fan on an angled ceiling.

INSTALLING THE FAN

INSTALLING THE MOUNTING BRACKET

Pass the power supply wires (C) from the ceiling outlet box (B) through the center of the ceiling mounting bracket (D). Install the ceiling mounting bracket (D) on the outlet box (B) with the mounting screws (F) provided with the outlet box and washers (E) provided with fan. **Fig. 5**

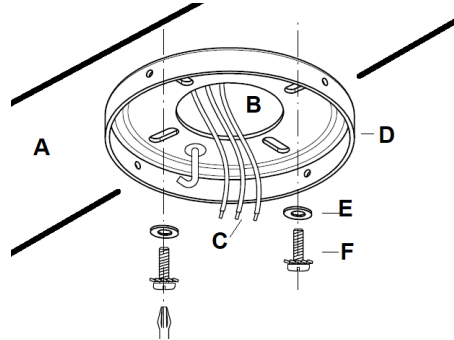


Fig. 5

HANGING THE FAN ASSEMBLY

- Lift the fan assembly (1) up to the mounting bracket. Hang the fan assembly onto the J-hook (2) of the mounting bracket. (**Fig.6**)

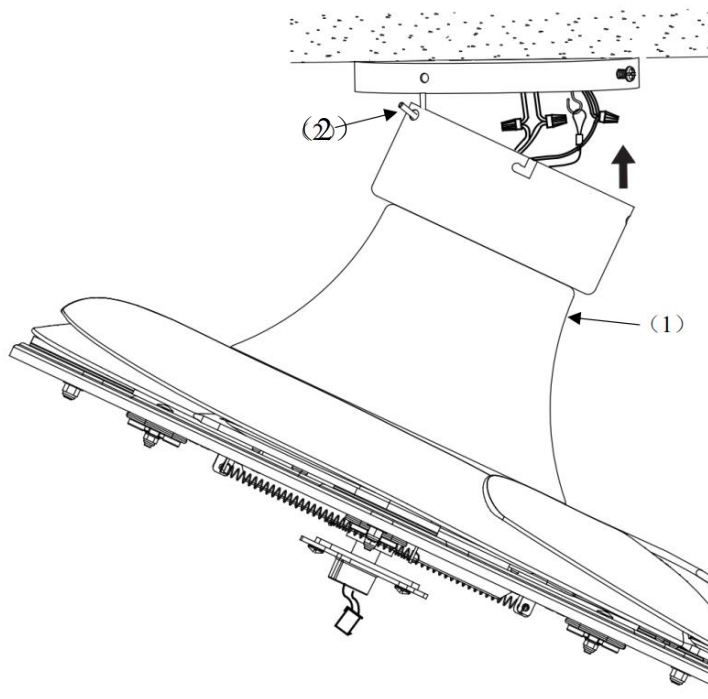


Fig. 6

Complete the electrical wiring using the diagram below (**Figure. 7**).

ELECTRICAL WIRING DIAGRAM

WARNING: To avoid possible electrical shock, be sure you have turned off the power at the main circuit panel.

Follow the steps below to connect the fan to your household wiring. Use the wire connecting nuts supplied with your fan. Secure the connectors with electrical tape. Make sure there are no loose wire strands or connections. **Fig. 7**

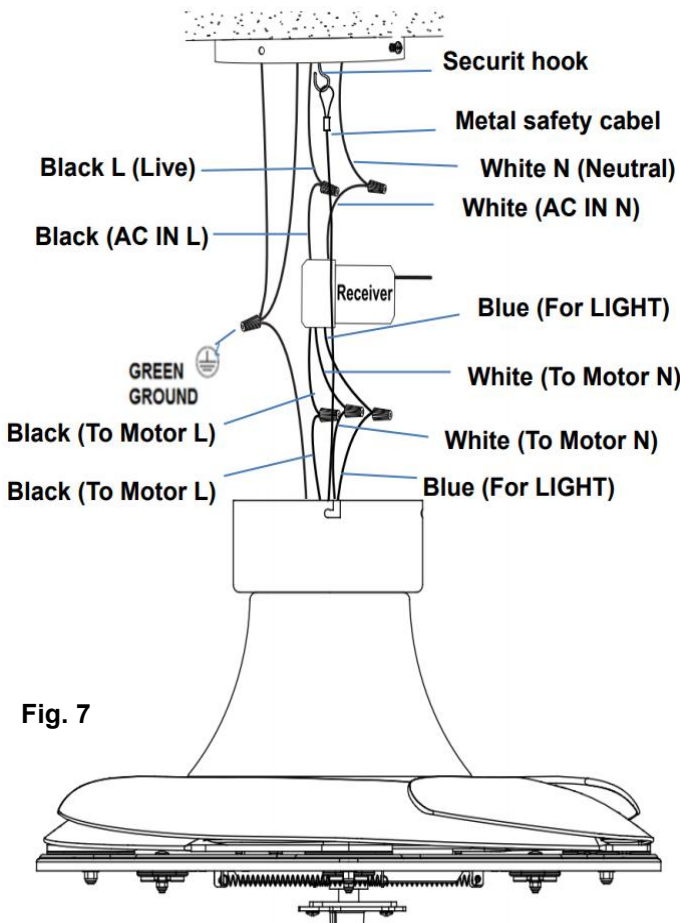


Fig. 7

1. Connect the household live supply wire (black) to receiver input wire (black, AC IN L) as shown in **Fig. 7**
2. Connect the household neutral supply wire (white) to the receiver input wire (white, AC IN N).
3. Connect the household ground wire to the fan mounting bracket ground wire (green) and fan body ground wire.
4. Connect the receiver output wire (black, TO MOTOR L) to motor live input wire (black, TO MOTOR L).
5. Connect the receiver output wire (white, TO MOTOR N) to motor neutral input wire (white, TO MOTOR N)
6. Connect the receiver output wire (blue, FOR LIGHT) to fan light live input wire (blue, FOR LIGHT)
7. Pull the metal safety cable on the security hook, tight the safety cable (Fig.8)

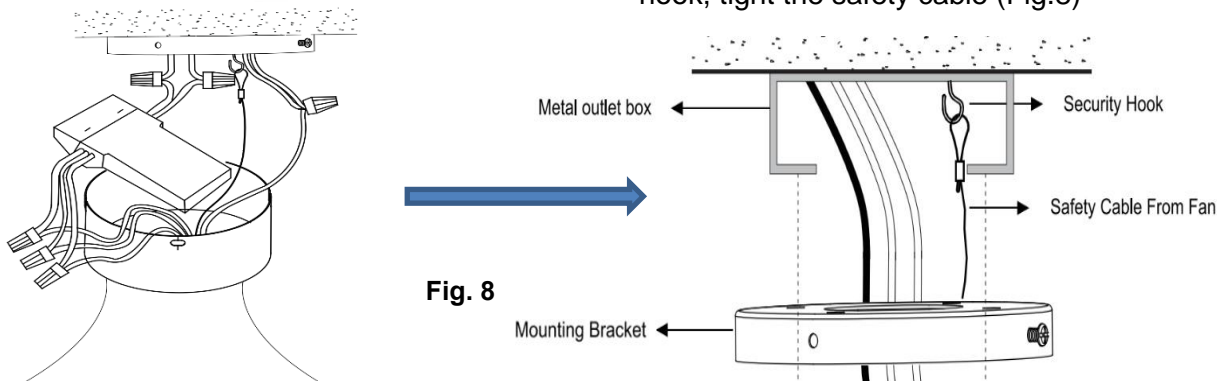


Fig. 8

8. After connecting the wires, Turn the connecting nuts upward and push the wiring into the fan hanging canopy.
9. Carefully put the Receiver into the fan hanging canopy. Take care not to damage or loosen any of the wiring.

INSTALL THE FAN ASSEMBLY TO THE MOUNTING BRACKET

Install the fan assembly to the mounting bracket (**Fig.8a**):

- Loosen two canopy screws (1) and remove from the mounting bracket.
- Loosen two canopy screws with star washer (2) by half thread from the mounting bracket. (For L-shape slot on canopy to be mounted).

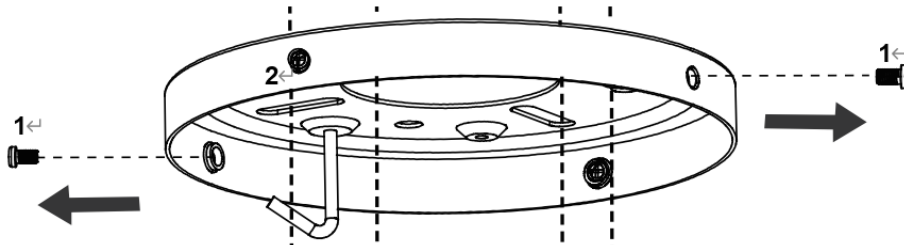


Fig. 8a

- Lift the hanging canopy (3) of the fan assembly up to the mounting bracket and let the L-shape slot on the hanging canopy (3) go through the two canopy screws with star washer (2). (**Fig.8b**)
- Turn the hanging canopy (3) until it locks in place at the end section of the L-shape slot, ensure the star washer are between the hanging canopy (3) and screw head. Secure it by tightening the two canopy screws with star washer (2).
- Secure and tighten the canopy screws (1) to the mounting bracket. The hanging canopy (3) shall have 4 screws (1) & (2) in total. Avoid damaging the electrical wiring prepared previously when hanging the canopy.

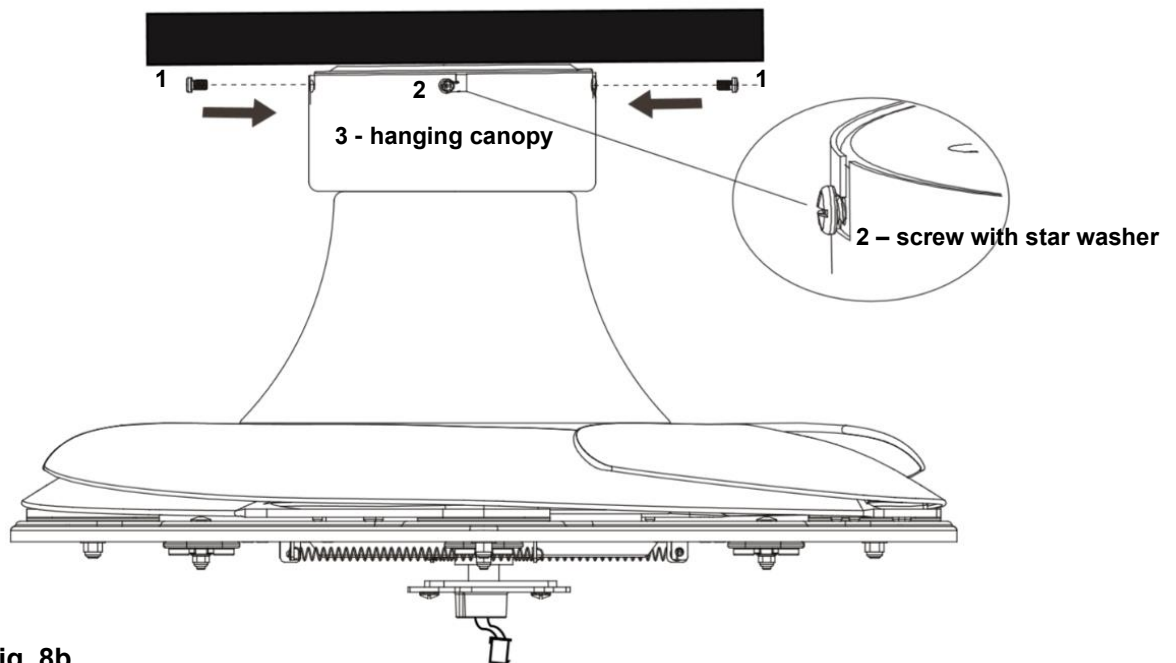
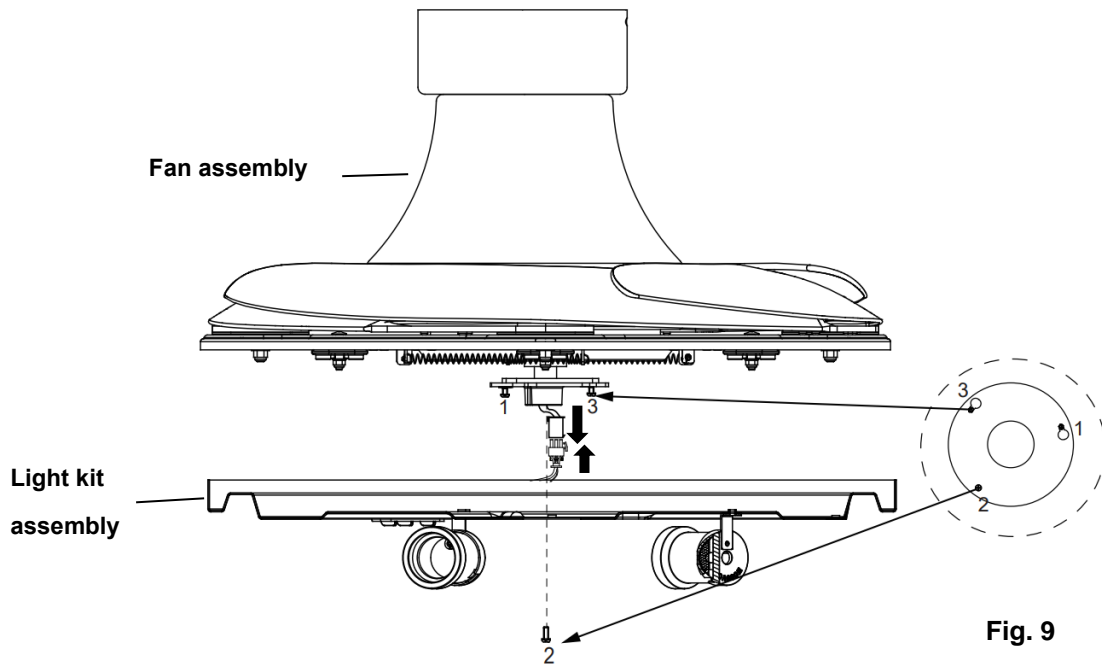


Fig. 8b

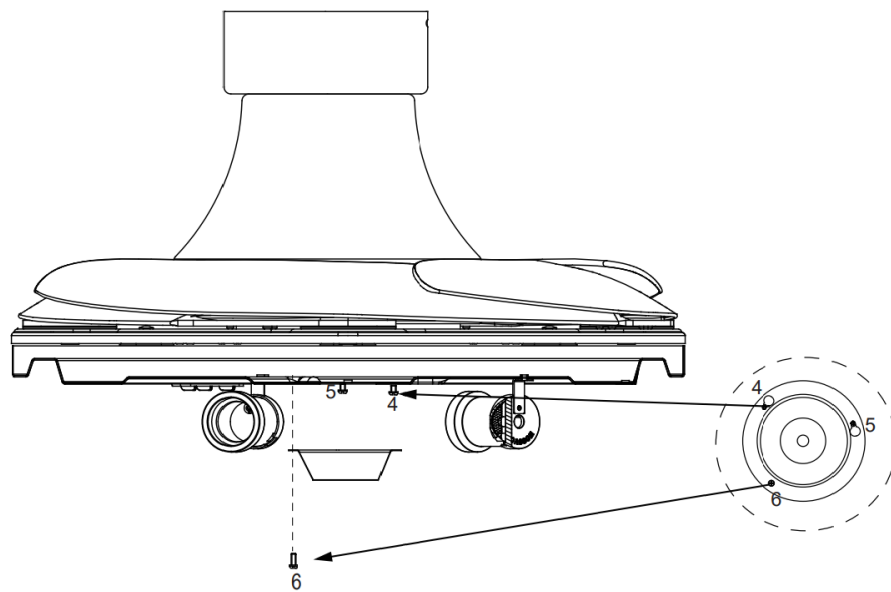
FAN INSTALLATION

LIGHT KIT INSTALLATION (Fig.9 & 10&11)

1. Loosen the screw (2) from the fan bracket. Align the two slot screws with the keyhole slot (1) and (3) of the light kit plate. (**Fig. 9**)
2. Turn the light kit counterclockwise until the slot screws are firmly at the end of the slots (2).
3. Secure screw (2) to the light kit plate. Tighten all three screws. Do not over-tighten.



4. Connect the quick connector of fan assembly to the quick connector of the light kit assembly (Fig. 9).
5. Loosen the screw (6) from the light kit plate. Align the two slot screws with the keyhole slot (4) and (5) of the light kit plate cover. (Fig. 10)
6. Turn the cover counterclockwise until the slot screws are firmly at the end of the slots (6).
7. Secure screw (6) to the light kit plate cover. Tighten all three screws. Do not over-tighten.



8. Install the globes to the lamp holders. Do not exceed the maximum power rating (**Fig. 11**).
9. Finally install the lamp Shade to the light kit plate by turning it clockwise.

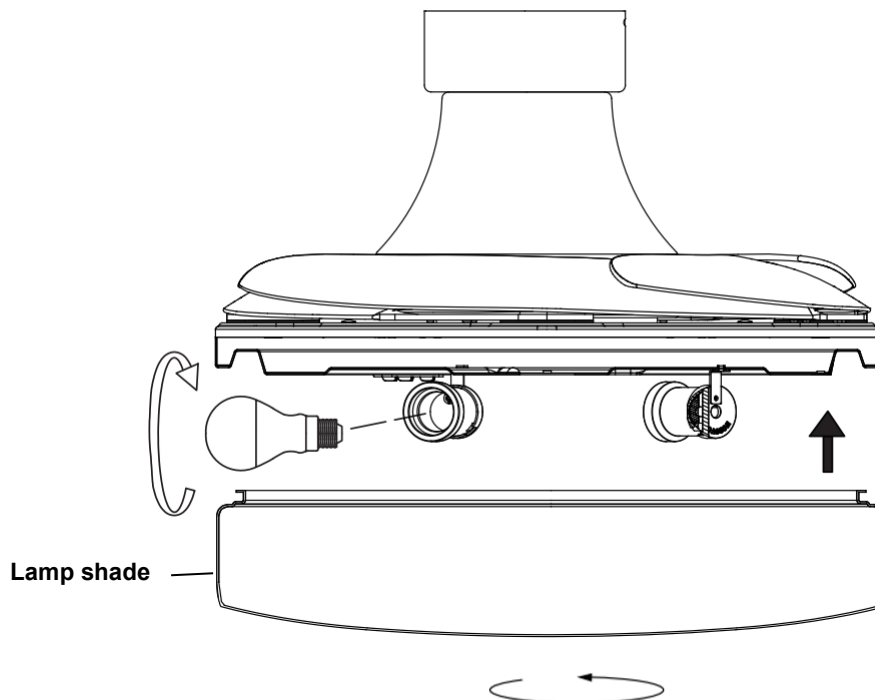


Fig. 11

INSTALLING THE TRANSMITTER HOLDER Fig. 12

Install the holder to the wall with two screws provided, hang up the transmitter by the holder.

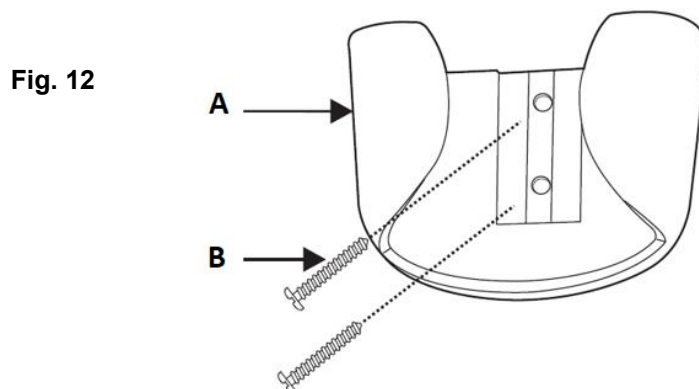


Fig. 12

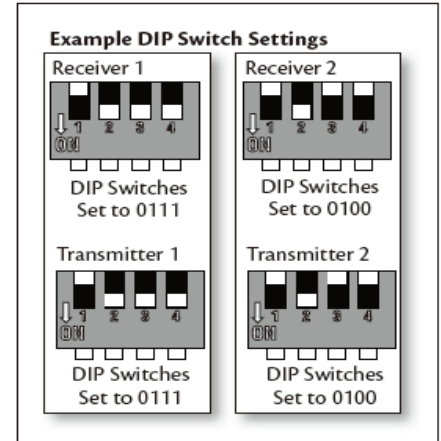
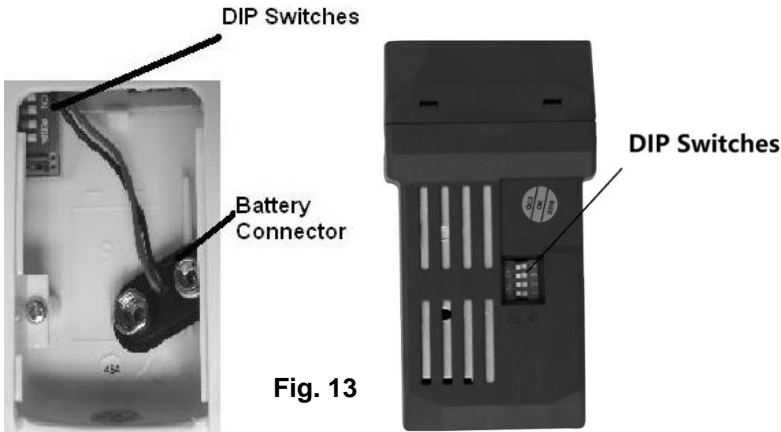
USING YOUR CEILING FAN

SETTING DIP SWITCHES

When two or more fans are located near each other, you may desire to have the receiver/transmitter for each fan set to a different code, so that the operation of one fan does not affect the operation of the other fans.

The DIP switches for the receiver are located on the flat surface of the receiver. The DIP switches for the transmitter are in the battery compartment. **Fig. 13**.

NOTE: Ensure that the power to the supply wires has been turned off before setting the code.



Change the position of the DIP switches in the remote transmitter and the receiver. Make sure that the DIP switches match in the remote receiver and transmitter. If they don't match, the transmitter will not function. **Fig. 14**

INSTALLING THE REMOTE BATTERY

1 x 9V DC (size) battery is required to operate the remote control. Remove the battery cover from the back of the remote and install 1 x 9V DC (size) battery. Ensure the polarities are correct as shown on the battery connector. (Batteries included.)

OPERATING THE REMOTE:

Before you start using the remote, take the time to read through this section and get familiar with the buttons and function of each button.

LED Indicator

The red LED indicator on the top of the transmitter will flash when the buttons are active.

BUTTONS ON THE REMOTE

HI: Press the button to set fan running at High speed.

MED: Press the button to set fan running at Medium speed.

LOW: Press the button to set fan running at Low speed.

OFF: Press the button to turn OFF the fan.



LIGHT CONTROL BUTTON:

Press the button to turn the light ON/OFF.

Press and hold the button to access the light dimming function.

Fig. 15



The remote has memory function. If the fan or light is turned off by the isolating switch, it will memorise and recover the last status when turned on next.

REVERSING FUNCTION (Fig. 16)

Your ceiling fan can operate in either summer or winter mode.

SUMMER Mode: The reverse switch should be in the SUMMER position to rotate the fan in an anticlockwise direction. The airflow will be directed downwards, for cooling in summer.

WINTER Mode: The reverse switch should be in the WINTER position to rotate the fan in a clockwise direction. The airflow will be directed upwards assisting in the circulation of warm air, for energy conservation in winter.

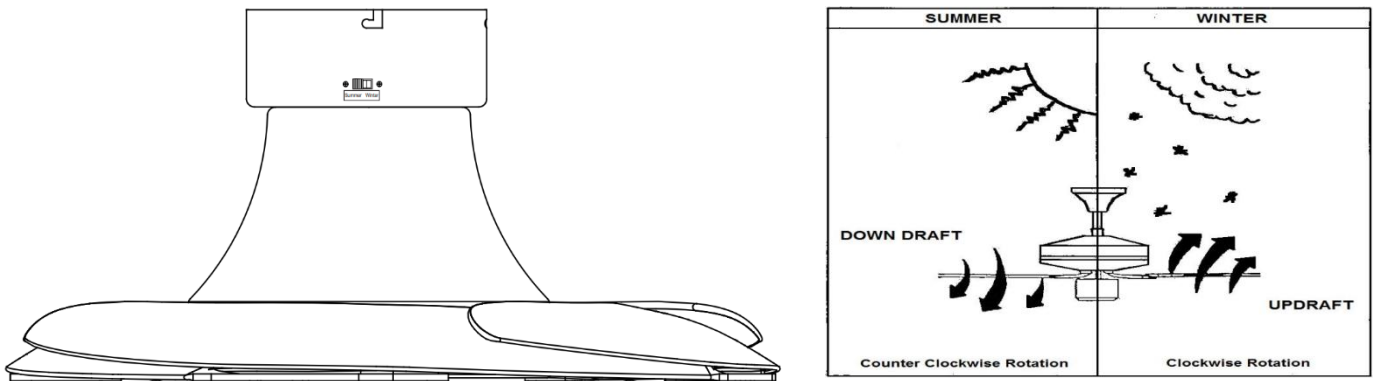


Fig. 16

AFTER INSTALLATION**WOBBLE:**

NOTE: ceiling fans tend to move during operation due to the fact that they are mounted on a rubber grommet. If the fan was mounted rigidly to the ceiling it would cause excessive vibration. Movement of a few centimetres is quite acceptable and DOES NOT suggest any problem.

TO REDUCE THE FAN WOBBLE: Please check that all screws which fix the mounting bracket.

NOISE:

When it is quiet (especially at night) you may hear occasional small noises. Slight power fluctuations and frequency signals superimposed in the electricity for off-peak hot water control, may cause a change in fan motor noise. This is normal. Please allow a 24-hour "breaking -in" period, most noises associated with a new fan disappear during this time. All electric motors are audible to some extent. Please note that this is not a product fault, and as such is not covered under warranty.

CARE & CLEANING

NOTE: Always turn OFF the power at the mains switch before performing any maintenance or attempting to clean your fan.

- 1) Every 6 months periodic cleaning of your ceiling fan is the only maintenance required. Use a soft brush or lint free cloth to avoid scratching the paint finish. Please turn OFF electricity power when you do so.
- 2) Do not soak or immerse your ceiling fan in water or other liquids. It could damage the motor or the blades and create the possibility of an electrical shock.
- 3) Ensure that the fan does not come in contact with any organic solvents or cleaners.
- 4) To clean the fan blade, wipe with only a damp clean cloth with NO organic solvents or cleaners.
- 5) The motor has a permanently lubricated ball bearing so there is no need to oil.

TECHNICAL INFORMATION

Fan Size	Speed	Volts (V)	Amps (A)	Watts (W)	RPM	CFM	CFM/W	N.W. (lbs)	C.F.
BI-36" FAN -ORBIT-E26-XXX	Extra-High	120	0.46	54.92W	285	3042.43	55.4	17.2	3.05
	Medium	120	0.34	27.35W	219	2146.70	78.49	17.2	3.05
	High	120	0.23	12.48W	170	1332.89	106.8	17.2	3.05

These are approximate measurements. They do not include data for any lamps or fixtures attached to the ceiling fan.

WARRANTY

1 year warranty covers the entire fan. Please refer to warranty card for the details.



GRACIAS POR SU COMPRA

Gracias por adquirir este producto Fanaway de calidad. Para garantizar el correcto funcionamiento y la seguridad de este ventilador de techo, antes de armarlo, instalarlo y usarlo lea y siga todas las instrucciones. Conserve estas instrucciones para consultas en el futuro.

MEDIDAS DE SEGURIDAD

Lea y conserve estas instrucciones

Este producto cumple con la norma UL 507 y CSA STD. C22.2 NO.113.

1. **ADVERTENCIA** - Para evitar cualquier posible descarga eléctrica, antes de instalar o reparar su ventilador desconecte la alimentación apagando el disyuntor del circuito de la caja de fusibles a la caja de salida.
2. **ADVERTENCIA:** para reducir el riesgo de incendio, descarga eléctrica o lesiones personales, ensámblelo en la caja de tomacorriente marcada como "apta para soportar un ventilador de 35 lbs (15.9 kg) o más" y use los tornillos de montaje proporcionados con la caja de tomacorriente y/o instálelo directamente en la estructura del edificio. La mayoría de las cajas de salida usadas normalmente para instalar luminarias no son aptas para instalar ventiladores y puede ser necesario reemplazarlas. En caso de duda, consulte con un electricista calificado.
3. Apto para utilizarse con controles de velocidad de estado sólido.
4. **ADVERTENCIA** - Para disminuir el riesgo de que se produzcan lesiones personales, no doble los soportes de las aspas al instalarlos para equilibrar las aspas o al limpiar el ventilador. No inserte objetos extraños entre las aspas giratorias del ventilador.
5. **PRECAUCIONES** - Todo el cableado debe estar conforme con el Código Eléctrico Nacional (ANSI/NFPA 70) y los códigos eléctricos locales. Si no está familiarizado con el cableado, emplee a un electricista calificado.
6. Para disminuir el riesgo de sufrir lesiones personales, el ventilador debe ubicarse a una distancia mínima de 7 pies (2.13 m) entre el borde de la parte inferior de las aspas y el suelo.
7. Después de hacer las conexiones eléctricas, los conductores empalmados se deben voltear hacia arriba y empujar con cuidado al interior de la caja de salida. Los cables deben estar separados con el conductor conectado a tierra y el conductor de descarga a tierra de equipos en un lado de la caja de salida.
8. Este equipo fue probado y se demostró que cumple con los límites de un dispositivo digital de Clase B, según la parte 15 de las reglas de la FCC. Estos límites se establecieron para proporcionar una protección razonable contra la interferencia dañina en una instalación residencial. Este equipo genera, usa y puede radiar energía de frecuencias de radio y, de no instalarse y utilizarse de acuerdo con las instrucciones, puede causar interferencia dañina con las comunicaciones de radio.

9. PRECAUCIÓN - Para reducir el riesgo de descarga eléctrica, desconecte el circuito de suministro eléctrico del ventilador antes de instalar el juego de luces.
10. El peso de la placa del juego de luces es de 1,56 kg.
11. Use solamente con el juego de luces marcado como apropiado para uso en ubicaciones húmedas.

LISTA DE PIEZAS

- Desempaque su ventilador de techo con cuidado. Saque todas las piezas y los tornillos.
- Deposite todos los componentes sobre una superficie lisa y verifique que no falta ninguno antes de iniciar el armado. Si falta alguna pieza, regrese el producto completo al lugar donde lo adquirió para que lo examinen o reemplacen.
- Compruebe si el ventilador de techo se dañó durante el transporte. No ponga en funcionamiento ni instale ningún producto que presente cualquier tipo de daño. Regrese el producto completo al lugar donde lo adquirió para que lo examinen, reparen o reemplacen.
- Examine e identifique las piezas. Consulte la **Fig. 1**.

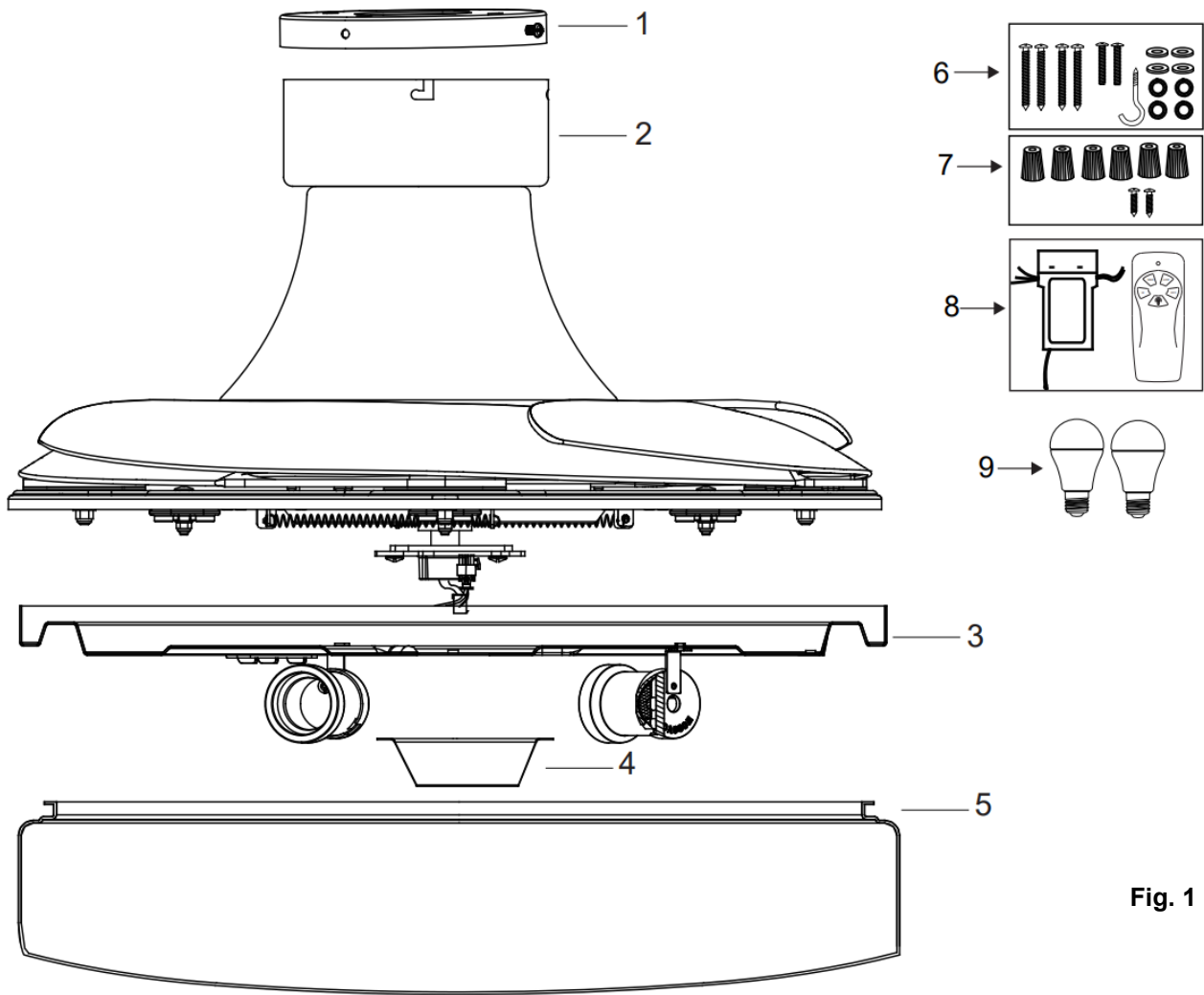


Fig. 1

1	1 soporte de armado	6	• 4 tornillos para madera
2	1 conjunto de ventilador		• 2 tornillos de máquina
3	1 placa de juego de luces		• Arandela plana x 4 y arandela de resorte x 4
4	1 tapa		• Gancho de seguridad
5	1 pantalla de lámpara	7	6 tuercas de cable y 2 tornillos
8	1 juego de receptor y control remoto	9	Foco LED x 2

INSTALACIÓN DEL SOPORTE DE ARMADO

Si no hay ya una caja de salida, instale una siguiendo estas instrucciones:

- Desconecte el suministro eléctrico retirando los fusibles o apagando los disyuntores de circuito.
- Fije la caja de salida (A) (no incluida) directamente a la estructura del edificio. Use fijaciones y materiales apropiados (no incluidos). La caja de salida y su soporte deben ser capaces de soportar completamente el peso del ventilador en movimiento (al menos 35 lbs). No use una caja de salida de plástico.
- **Las figuras 2-3** siguientes muestran tres tipos distintos de armado de la caja de salida (A) (no incluida).

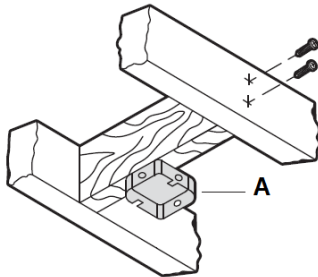


Fig. 2

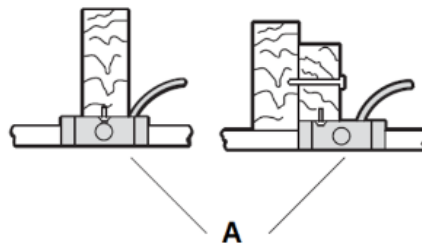


Fig. 3

NOTA: El ventilador de techo debe instalarse en un lugar donde las puntas de las aspas queden a una distancia de 300 mm del objeto o pared más cercano.

Para colgar el ventilador donde ya existe una luminaria pero no hay una viga de techo, es posible que necesite instalar una barra de colgado (C) como se ilustra en la **Fig. 4**. Asegúrese de que la barra de colgado que compra se ha diseñado para utilizarse con ventiladores de techo.

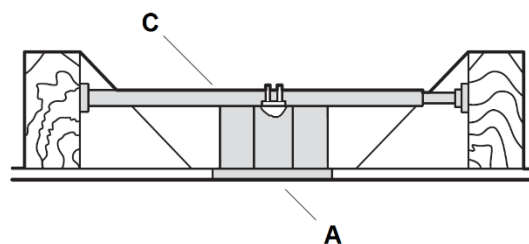


Fig. 4

INSTALACIÓN EN UN TECHO INCLINADO

El sistema de colgado de este ventilador **SOLO** es apto para instalar el ventilador en techos planos.

NO instale el ventilador en un techo en ángulo.

INSTALACIÓN DEL VENTILADOR

INSTALACIÓN DEL SOPORTE DE ARMADO

Pase los cables de alimentación eléctrica (C) de la caja de salida del techo (B) a través del centro del soporte de armado en el techo (D). Instale el soporte de armado en el techo (D) en la caja de salida (B) con los tornillos de armado (F) suministrados con la caja de salida y las arandelas (E) incluidas con el ventilador. **Fig. 5**

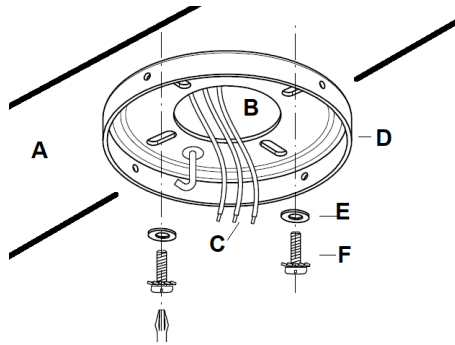


Fig. 5

CÓMO COLGAR EL VENTILADOR

- Eleve el conjunto del ventilador (1) hasta el soportedemontaje. Cuelgue el conjunto del ventilador en el gancho en forma de J (2) del soporte de armado. (**Fig.6**)

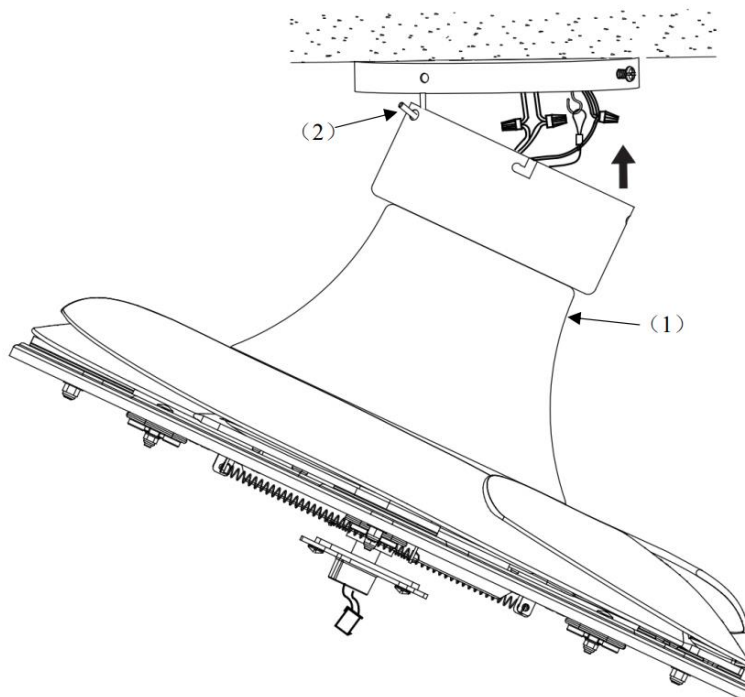


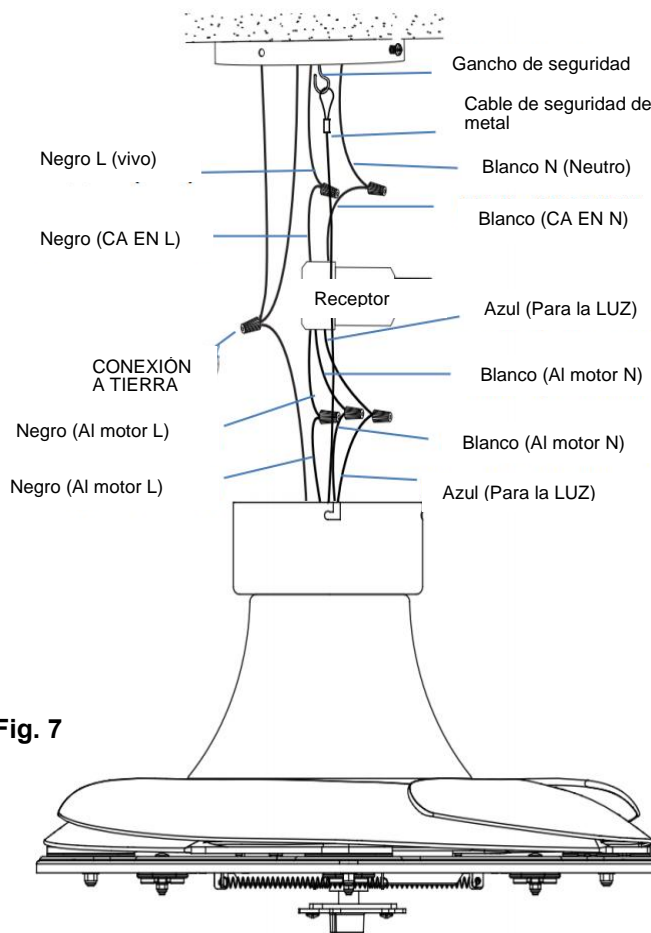
Fig. 6

Complete el cableado eléctrico usando el siguiente diagrama (**Figura 7**).

DIAGRAMA DE CABLEADO ELÉCTRICO

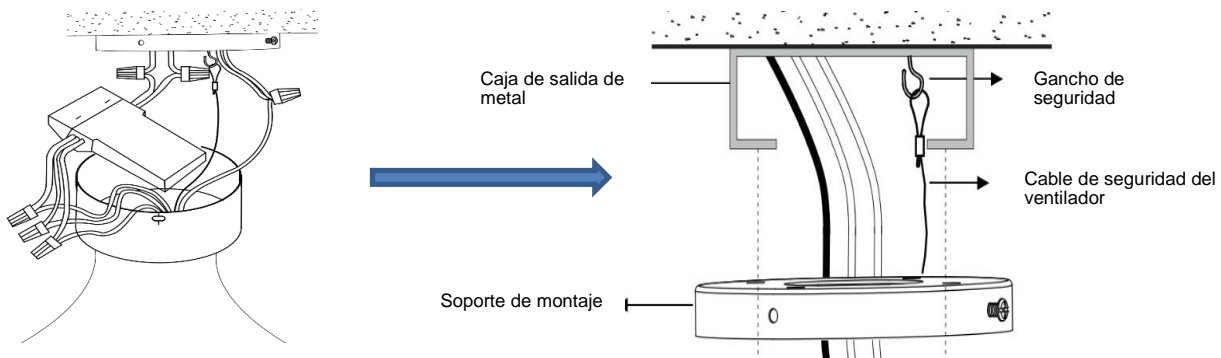
ADVERTENCIA: Para evitar cualquier posible descarga eléctrica, asegúrese de haber desconectado la alimentación eléctrica en el panel de circuito general.

Siga los pasos que aparecen a continuación para conectar el ventilador al cableado de su casa. Use las tuercas de conexión de cable que se suministran con su ventilador. Fije los conectores con cinta eléctrica. Asegúrese de que no haya hilos de cables sueltos o conexiones flojas. **Fig. 7**



1. Conecte el cable vivo de suministro eléctrico del hogar (negro) al cable de entrada del receptor (negro, AC IN L) como se muestra en **Fig. 7**
2. Conecte el cable neutro de suministro eléctrico del hogar (blanco) al cable de entrada del receptor (blanco, AC IN N).
3. Conecte el cable a tierra de la casa al cable a tierra del soporte de montaje del ventilador (verde) y al cable a tierra del armazón del ventilador.
4. Conecte el cable de salida del receptor (negro, AL MOTOR L) al cable de entrada vivo del motor (negro, AL MOTOR L).
5. Conecte el cable de salida del receptor (blanco, AL MOTOR NEUTRO) al cable de entrada neutro del motor (blanco, AL MOTOR NEUTRO).
6. Conecte el cable de salida del receptor (azul, PARA LA LUZ) al cable de entrada vivo de la luz del ventilador (azul, PARA LA LUZ)

7. Tire del cable de seguridad de metal del gancho de seguridad y apriete el cable de seguridad (Fig.8)
8. Después de conectar los cables, gire las tuercas de conexión hacia arriba y presione el cableado hacia el interior del florón.
9. Coloque con cuidado el receptor en el dosel colgante del ventilador. Tenga cuidado de no dañar ni aflojar ninguno de los cables.



INSTALACIÓN DEL CONJUNTO DEL VENTILADOR EN EL SOPORTE DE ARMADO

Instale el conjunto del ventilador sobre el soporte de armado (**Fig. 8a**):

- Afloje dos tornillos del florón (1) y retírelos del soporte de armado.
- Afloje dos tornillos del florón con arandela de estrella (2) del soporte de armado hasta la mitad. (Para armar la ranura en L en el florón).

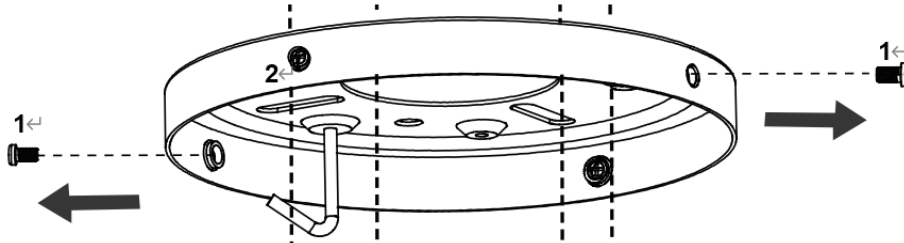


Fig. 8a

- Eleve el florón (3) del conjunto del ventilador hasta el soporte de armado y deje que la ranura en forma de L del florón (3) pase por los dos tornillos del florón con una arandela de estrella (2). (**Fig. 8b**)
- Gire el florón (3) hasta que encaje en su lugar en la sección final de la ranura en forma de L. Asegúrese de que la arandela de estrella esté entre el florón (3) y la cabeza del tornillo. Asegúrelo apretando los dos tornillos del florón con una arandela de estrella (2).
- Asegure y apriete los tornillos del florón (1) al soporte de armado. El florón (3) deberá tener 4 tornillos (1) y (2) en total. Evite dañar el cableado eléctrico previamente instalado al colgar el florón.

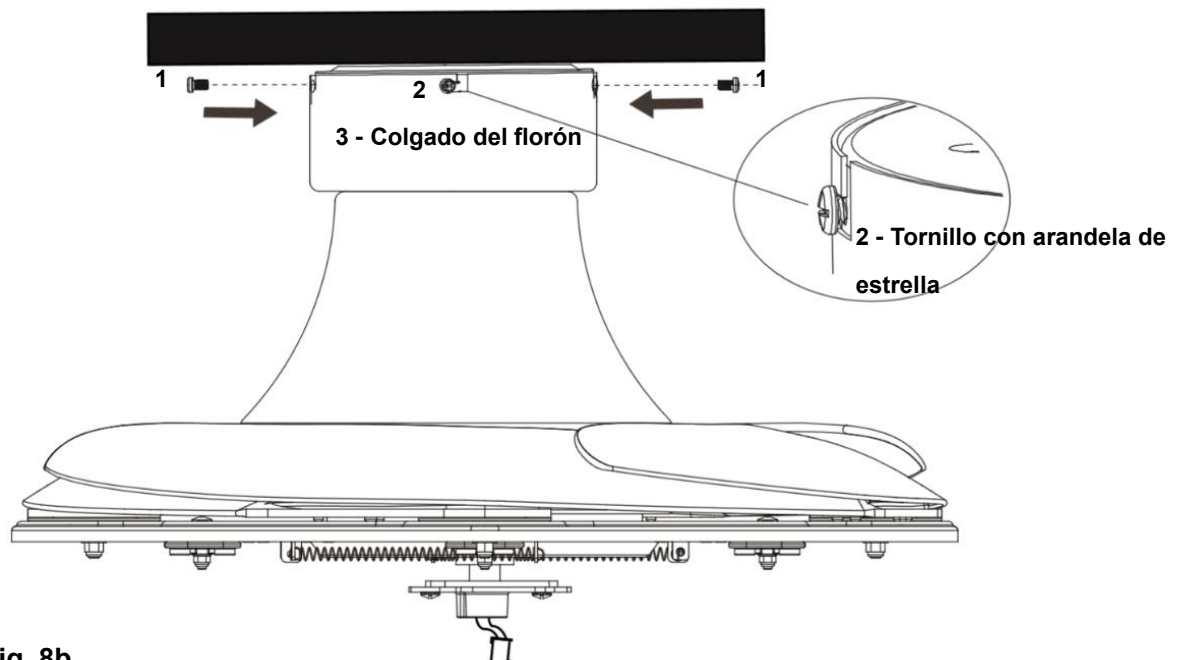


Fig. 8b

INSTALACIÓN DEL VENTILADOR

INSTALACIÓN DEL JUEGO DE LUCES (Fig. 9, 10 y 11)

1. Afloje el tornillo (2) del soporte del ventilador. Alinee los dos tornillos de cabeza ranurada con la ranura (1) y (3) de la placa del juego de luces. (Fig. 9)
2. Gire el kit de iluminación en sentido antihorario hasta que los tornillos de cabeza ranurada queden firmes en el extremo de las ranuras (2).
3. Fije el tornillo (2) al soporte del conjunto de luces. Apriete los tres tornillos. No los apriete en exceso.

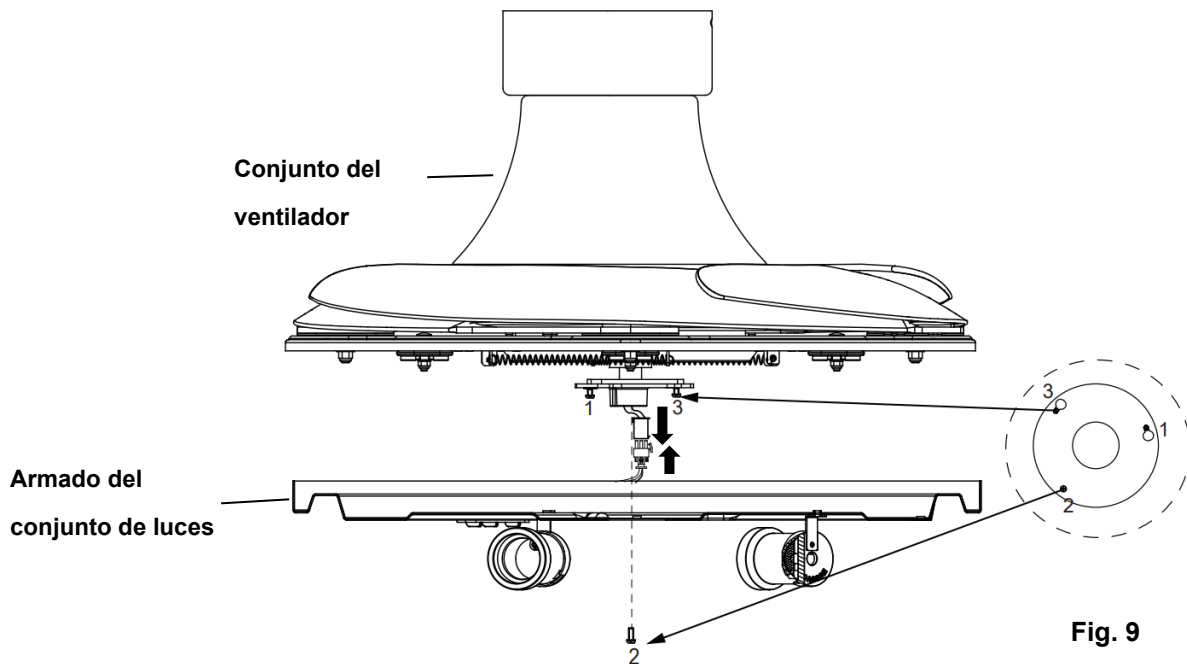


Fig. 9

4. Conecte el conector rápido del conjunto del ventilador al conector rápido del conjunto del juego de luces (Fig.9).
5. Afloje el tornillo (6) de la placa del juego de luces. Alinee los dos tornillos de cabeza ranurada con las ranuras (4) y (5) de la tapa de la placa del juego de luces. (Fig. 10)
6. Gire la tapa en sentido antihorario hasta que los tornillos de cabeza ranurada queden bien fijados en el extremo de las ranuras (6).
7. Fije el tornillo (6) a la tapa de la placa del juego de luces. Apriete los tres tornillos. No los apriete en exceso.

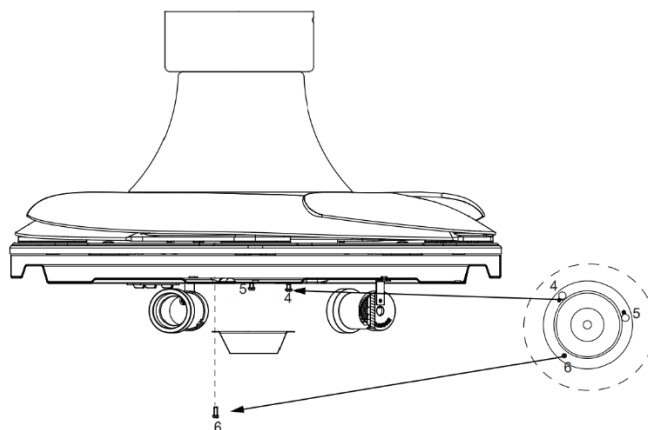


Fig. 10

8. Instale las lámparas en los portalámparas. No exceda la potencia nominal máxima (**Fig. 11**).
9. Para terminar, instale la pantalla de la lámpara en la placa del juego de luces girándola en sentido horario.

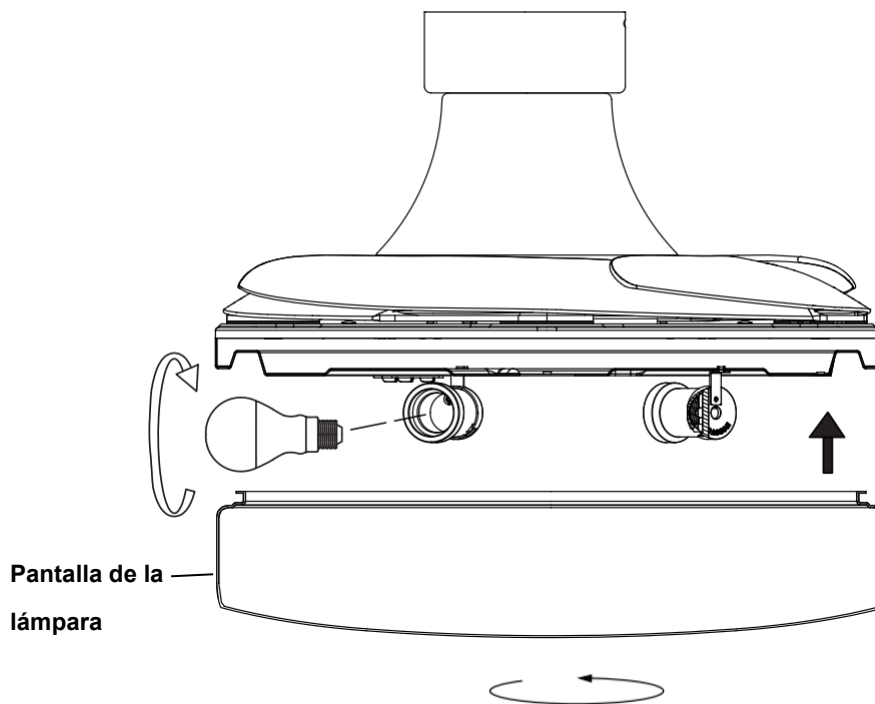


Fig. 11

INSTALACIÓN DEL SOPORTE DEL TRANSMISOR Fig.12

Instale el soporte en la pared con los dos tornillos suministrados y cuelgue el transmisor del soporte.

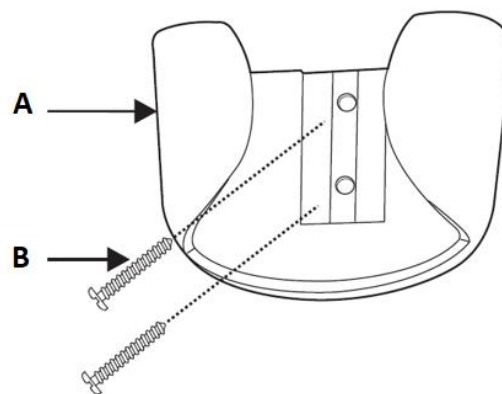


Fig. 12

USO DE SU VENTILADOR DE TECHO

CONFIGURACIÓN DE LOS INTERRUPTORES DIP

Cuando uno o más ventiladores se encuentran a poca distancia uno del otro, podría ser conveniente tener un código diferente para el receptor/transmisor de cada ventilador, de manera que la operación de un ventilador no afecte la de los otros ventiladores.

Los interruptores DIP del receptor están ubicados en la superficie plana del receptor. Los interruptores DIP del transmisor están en el compartimiento de la batería. **Fig. 13**

NOTA: Asegúrese de que los cables de alimentación no tienen suministro eléctrico antes de ajustar el código.

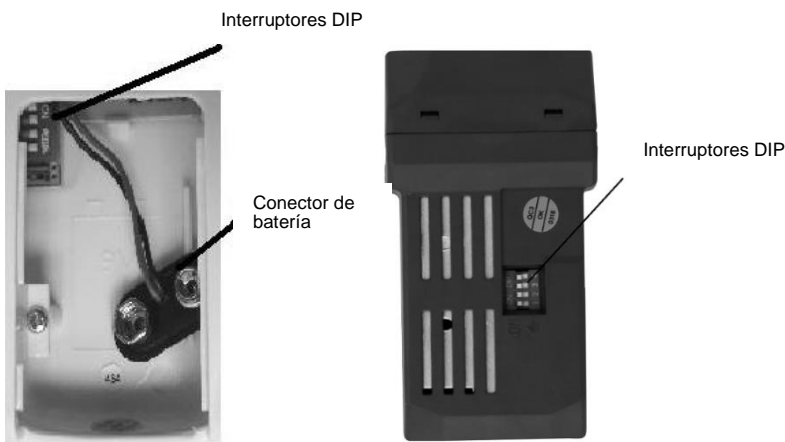


Fig. 13

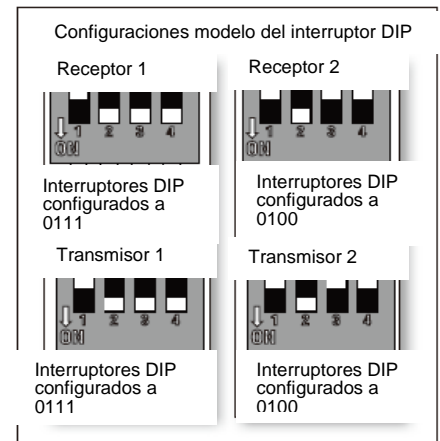


Fig. 14

Cambie de posición los interruptores DIP en el transmisor y receptor remotos. Compruebe que los interruptores DIP del transmisor y receptor remotos se corresponden. Si no se corresponden, el transmisor no funcionará. **Fig. 14**

INSTALACIÓN DE LA BATERÍA DEL CONTROL REMOTO

El control remoto funciona con 1 batería de 9V CC (tamaño). Retire la tapa de la batería ubicada en la parte posterior del control remoto e inserte 1 batería de 9V CC (tamaño). Compruebe que las polaridades están en dirección correcta como se indica en el conector de la batería. (Batería incluida)

FUNCIONAMIENTO DEL CONTROL REMOTO:

Antes de comenzar a usar el control remoto, tómese un tiempo para leer esta sección y familiarizarse con los botones y la función de cada uno de ellos.

Indicador LED

El indicador LED rojo situado en la parte superior del transmisor parpadea cuando los botones están activos.

BOTONES DEL CONTROL REMOTO

ALTO: Presione el botón para que el ventilador funcione a velocidad alta.

MEDIO: Presione el botón para que el ventilador funcione a velocidad media.

BAJO: Presione el botón para que el ventilador funcione a velocidad baja.

OFF (apagado): Presione el botón para apagar el ventilador.



BOTÓN DE CONTROL DE LUZ:

Presione el botón para encender o apagar la luz.

Mantenga presionado el botón para acceder a la función de atenuación de la luz.

El control remoto tiene función de memoria. Si el ventilador o la luz se apagan mediante el interruptor de aislamiento, lo memorizará y restablecerá el último estado al encenderlo de nuevo.

FUNCIÓN DE INVERSIÓN DEL GIRO (Fig. 16)

Su ventilador de techo posee un modo de verano y un modo de invierno.

Modo de VERANO: El interruptor de inversión de giro debe estar en posición de VERANO para que el ventilador gire en sentido antihorario. El flujo del aire se dirigirá hacia abajo para refrescar en verano.

Modo de INVIERNO: El interruptor de inversión de giro deberá estar en posición de INVIERNO para que el ventilador gire en sentido horario. El flujo de aire se dirigirá hacia arriba ayudando a la circulación del aire caliente para ahorrar energía en invierno.

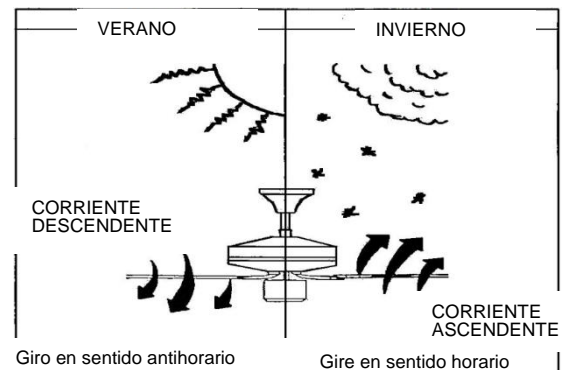
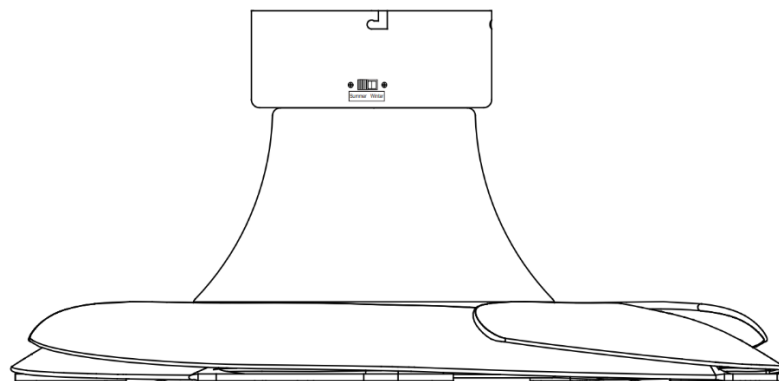


Fig. 16



Fig. 15

DESPUÉS DE LA INSTALACIÓN

BAMBOLEO:

NOTA: Los ventiladores de techo tienden a moverse cuando están en funcionamiento debido a que están armados sobre una arandela de caucho. Si el ventilador se montó en el techo de forma rígida, esto podría causar una vibración excesiva. Un movimiento de unos centímetros es aceptable y NO indica problema alguno.

CÓMO REDUCIR EL BAMBOLEO DEL VENTILADOR: Verifique que todos los tornillos que fijan el soporte de armado y están seguros.

RUIDO:

Cuando hay silencio (especialmente por la noche), es posible escuchar pequeños ruidos de vez en cuando. Las fluctuaciones ligeras de suministro eléctrico y las señales de frecuencia superpuestas en el control de agua caliente fuera de horas pico pueden causar cambios en el ruido del motor del ventilador. Esto es normal. Deje un periodo de ajuste de 24 horas y la mayoría de los ruidos asociados con el nuevo ventilador desaparecerán en dicho periodo de tiempo. Todos los motores eléctricos producen un cierto ruido. Tenga en cuenta que esto no es un problema del producto y que no está cubierto por la garantía.

CUIDADOS Y LIMPIEZA

NOTA: Apague siempre el ventilador del interruptor principal antes de realizarle cualquier operación de mantenimiento o de limpiarlo.

- 1) El único mantenimiento que necesita el ventilador es una limpieza periódica cada 6 meses. Use un cepillo suave o un paño sin fibras para evitar arañar el acabado de pintura. Desconecte el suministro eléctrico antes de hacerlo.
- 2) No remoje ni sumerja el ventilador en agua ni en otros líquidos. Esto podría dañar el motor o las aspas y causar descargas eléctricas.
- 3) No permita que el ventilador entre en contacto con disolventes orgánicos ni con productos de limpieza.
- 4) Limpie las aspas solo con un paño húmedo y NO utilice disolventes orgánicos ni productos de limpieza.
- 5) El motor posee un rodamiento de bola permanentemente lubricado y no necesita engrasarse.

INFORMACIÓN TÉCNICA

Dimensiones del ventilador	Velocidad	Voltios (V)	Amperios (A)	Vatios (W)	RPM	CFM	CFM/W	Peso neto (lbs)	C.F.
BI-36" VENTILADOR -ORBIT-E26-XXX	Extra alta	120	0,46	54,92W	285	3042,43	55,4	17,2	3,05
	Media alta	120	0,34	27,35W	219	2146,70	78,49	17,2	3,05
	Baja	120	0,23	12,48W	170	1332,89	106,8	17,2	3,05

Estas medidas son aproximadas. No incluyen datos de lámparas o luminarias fijadas al ventilador de techo.

GARANTÍA

1 año de garantía para todo el ventilador. Consulte la tarjeta de garantía para ver los detalles.

F**NOUS VOUS REMERCIONS DE VOTRE ACHAT**

Nous vous remercions d'avoir acheté ce produit Fanaway de qualité. Pour assurer le bon fonctionnement et la sécurité, veuillez lire et suivre toutes les instructions avant l'assemblage, l'installation et l'utilisation de ce ventilateur de plafond. Veuillez conserver les instructions pour toute référence future.

PRÉCAUTIONS DE SÉCURITÉ**Lisez et conservez ces instructions**

Ce produit est conforme à la norme UL 507 et à la norme CSA STD. C22.2 NO.113.

1. **AVERTISSEMENT** - Pour éviter tout risque d'électrocution, avant d'installer ou de réparer votre ventilateur, débranchez l'alimentation électrique en désactivant le disjoncteur de la boîte à fusibles de la prise de courant.
2. **AVERTISSEMENT** - Pour réduire les risques d'incendie, de choc électrique ou de blessures, montez-le sur le boîtier de sortie marqué « adapté au support de ventilateur de 35 livres (15,9 kg) ou plus » et utilisez les vis de montage fournies avec le boîtier de sortie et / ou le support directement à partir de la structure du bâtiment. La plupart des boîtes de sortie couramment utilisées pour le support de luminaires peuvent ne pas être adaptées pour le support de ventilateurs et doivent éventuellement être remplacées. Consultez un électricien qualifié en cas de doute.
3. Convient pour une utilisation avec des commandes de vitesse à semi-conducteurs.
4. **AVERTISSEMENT** - Pour réduire les risques de blessures, ne tordez pas les supports de pale lors de l'installation des supports de pale, lors de l'équilibrage des pales ou lors du nettoyage du ventilateur. N'insérez pas d'objets étrangers entre les pales du ventilateur en rotation.
5. **ATTENTION** - Tout le câblage doit être conforme au code électrique national (ANSI / NFPA 70) et aux codes électriques locaux. Si vous ne connaissez pas le câblage, faites appel à un électricien qualifié.
6. Pour réduire les risques de blessures, le ventilateur doit être monté avec un dégagement minimum de 7 pieds du bord inférieur des pales au sol.
7. Après avoir marqué les connexions électriques, les conducteurs épissés doivent être tournés vers le haut et poussés avec précaution dans le boîtier de sortie. Les fils doivent être écartés avec le conducteur mis à la terre et le conducteur de mise à la terre de l'équipement sur un côté du boîtier de sortie.
8. Cet équipement a été testé et déclaré conforme aux limites imposées aux appareils numériques de classe B, conformément à la section 15 des règles de la FCC. Ces limites doivent fournir une protection raisonnable contre les interférences nuisibles dans une installation résidentielle. Cet équipement génère, utilise et peut émettre de l'énergie de fréquence radio. S'il n'est pas installé et utilisé conformément aux instructions, il peut causer des interférences nuisibles aux

communications radio.

9. ATTENTION - Pour réduire le risque de choc électrique, débranchez le circuit d'alimentation électrique du ventilateur avant d'installer le kit d'éclairage.
10. Le poids de la plaque du kit d'éclairage est de 1,56 kg.
11. Utiliser uniquement avec des kits d'éclairage marqués adaptés à une utilisation dans des endroits humides.

LISTE DES PIÈCES

- Déballez votre ventilateur de plafond et identifiez soigneusement les pièces. Retirez toutes les pièces et le matériel.
- Disposez tous les composants sur une surface lisse et assurez-vous qu'aucun composant ne manque avant l'assemblage. S'il manque des pièces, renvoyez le produit complet au lieu d'achat pour le faire inspecter ou remplacer.
- Vérifiez si le ventilateur de plafond a été endommagé pendant le transport. N'utilisez / n'installez aucun produit qui semble endommagé de quelque manière que ce soit. Renvoyez le produit complet au lieu d'achat pour le faire inspecter, réparer ou remplacer.
- Examinez et identifiez les pièces. Veuillez vous référer au **schéma 1**.

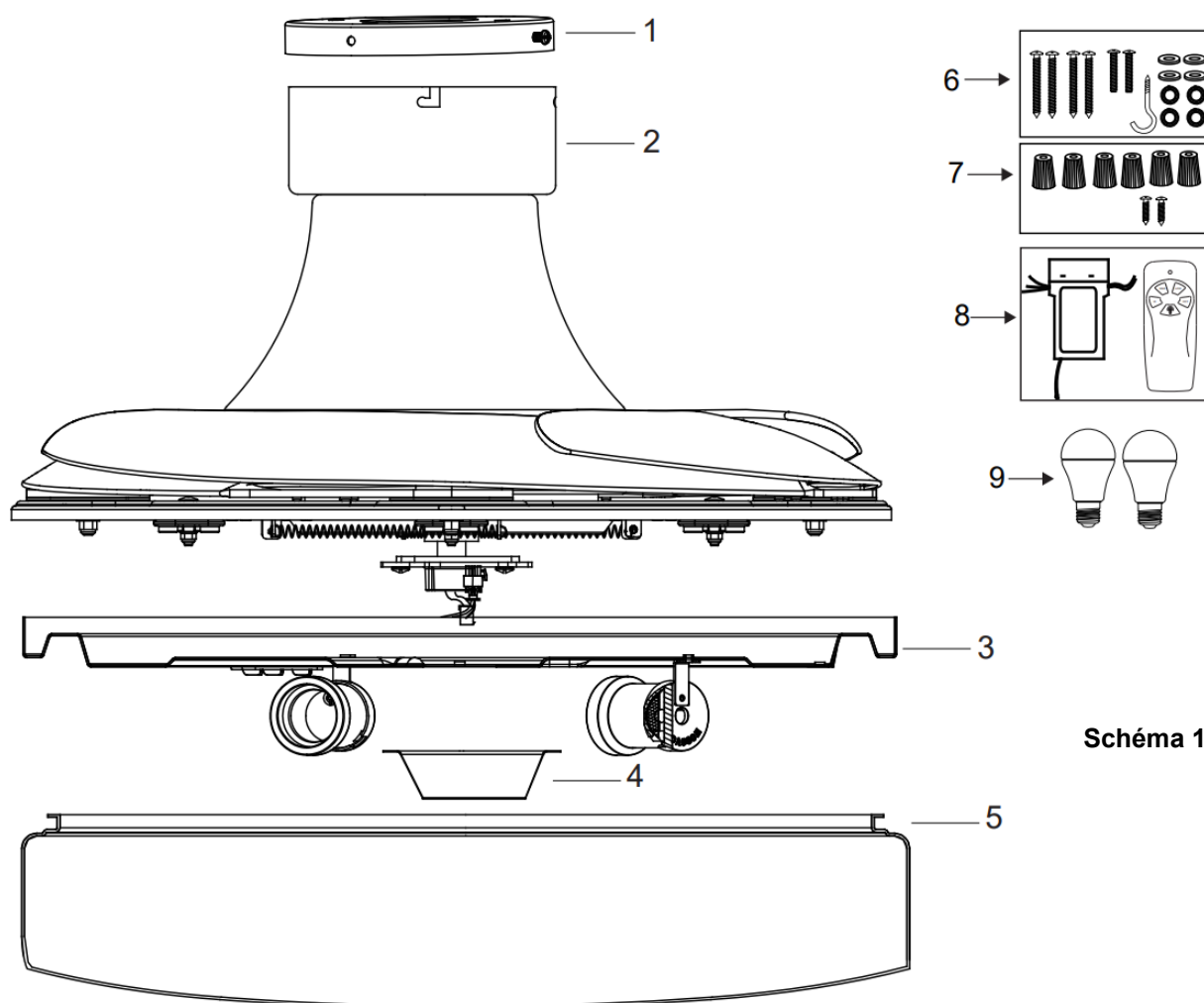


Schéma 1

1	Support de montage x 1	6	• Vis à bois x 4
2	Assemblage du ventilateur x 1		• Vis à métaux x 2
3	Plaque du kit d'éclairage x 1		• Rondelle plate x 4 et rondelle élastique x 4
4	Cache x 1		• Crochet de sécurité
5	Abat-jour x 1	7	Écrou en fil de fer x 6 et vis x 2
8	Récepteur et télécommande x 1 set	9	Ampoule LED x 2

INSTALLATION DU SUPPORT DE MONTAGE

S'il n'y a pas de boîtier de sortie existant, installez-en un en suivant les instructions suivantes :

- Déconnectez l'alimentation en retirant les fusibles ou en désactivant les disjoncteurs.
- Fixez le boîtier de sortie (A) (non inclus) directement à la structure du bâtiment. Utilisez les fixations et le matériel appropriés (non inclus). Le boîtier de sortie et son support doivent être en mesure de supporter pleinement le poids du ventilateur en mouvement (au moins 35 livres). N'utilisez pas de boîtier de sortie en plastique.
- Les **schémas 2 et 3** ci-dessous illustrent différentes manières de monter le boîtier de sortie (A) (non fourni).

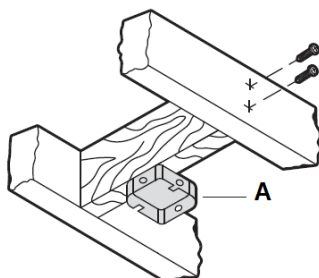


Schéma 2

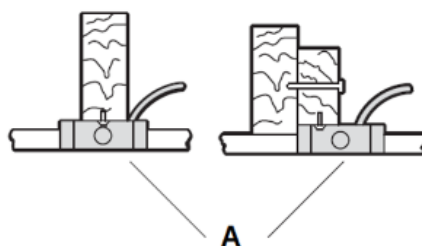


Schéma 3

REMARQUE : Le ventilateur de plafond doit être installé dans un endroit tel que les pales soient espacées de 300 mm de la pointe de la pale jusqu'aux objets ou aux murs les plus proches.

Pour suspendre votre ventilateur là où il y a un luminaire existant mais pas de solive de plafond, vous aurez peut-être besoin d'une barre de suspension d'installation (C), comme illustré sur le **schéma 4**. Assurez-vous que la barre de suspension que vous avez achetée a été conçue pour être utilisée avec un ventilateur de plafond.

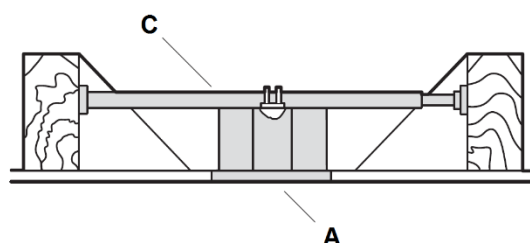


Schéma 4

INSTALLATION SUR UN PLAFOND INCLINÉ

Le système de suspension de ce ventilateur convient **UNIQUEMENT** à une installation sur un plafond plat.

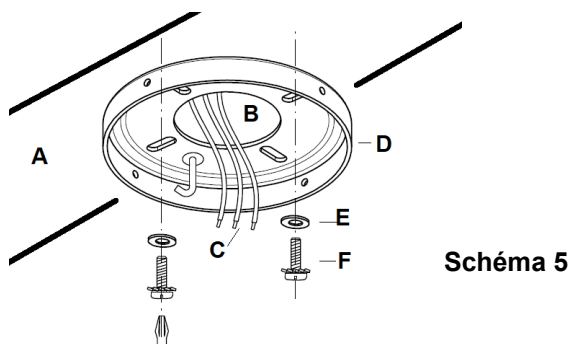
N'installez PAS ce ventilateur sur un plafond incliné.

INSTALLATION DU VENTILATEUR

INSTALLATION DU SUPPORT DE MONTAGE

Passez les fils d'alimentation (C) du boîtier de sortie de plafond (B) par le centre du support de montage au plafond (D). Installez le support de montage au plafond (D) sur le boîtier de sortie (B) à l'aide des vis de montage (F) fournies avec le boîtier de sortie, et les rondelles (E) fournies avec le ventilateur.

Schéma 5



SUSPENSION DE L'ASSEMBLAGE DU VENTILATEUR

- Soulevez l'ensemble du ventilateur (1) jusqu'à l'embout de montage. Accrochez le ventilateur au crochet en J (2) du support de montage. (Schéma 6)

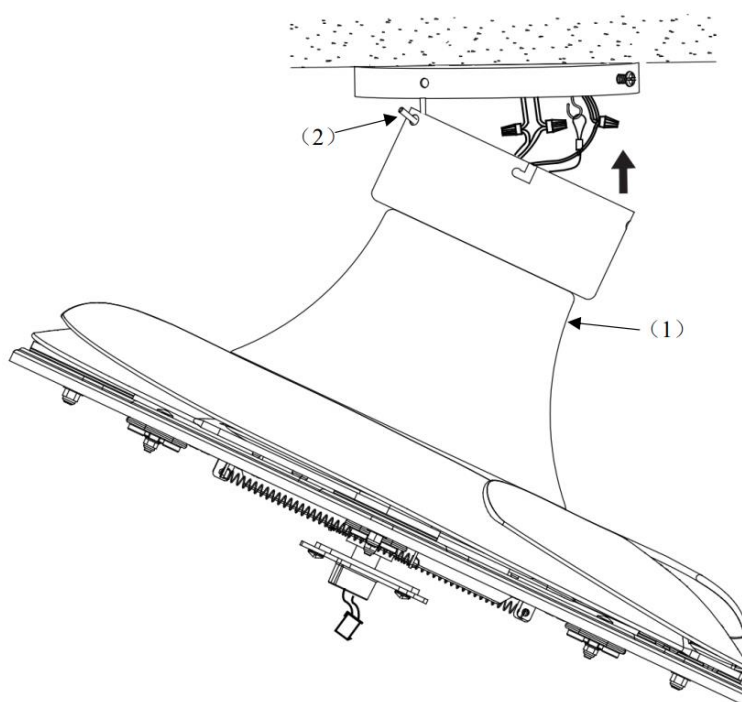


Schéma 6

Complétez le câblage électrique en utilisant le schéma ci-dessous (schéma 7).

SCHÉMA DE CÂBLAGE ÉLECTRIQUE

AVERTISSEMENT : Pour éviter tout risque d'électrocution, assurez-vous d'avoir coupé l'alimentation au niveau du panneau de circuit principal.

Suivez les étapes ci-dessous pour connecter le ventilateur au câblage de votre domicile. Utilisez les écrous de connexion des fils fournis avec votre ventilateur. Fixez les connecteurs avec du ruban isolant.

Assurez-vous qu'il n'y a pas de brins de fils ou de connexions desserrés. **Schéma 7**

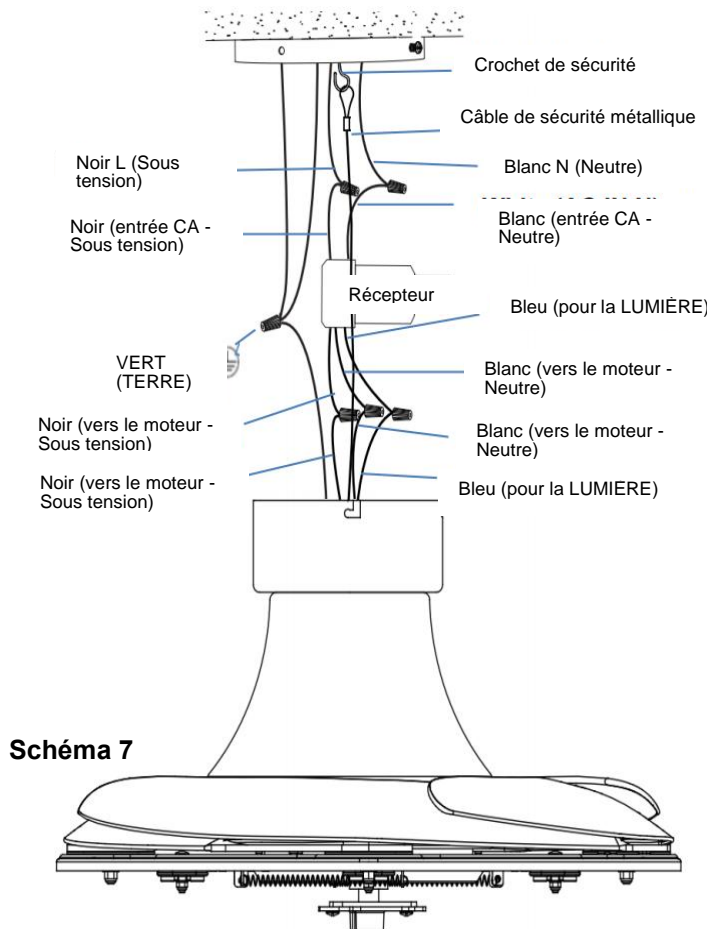


Schéma 7

1. Raccordez le fil d'alimentation secteur domestique (noir) au fil d'entrée du récepteur (noir, entrée CA - sous tension), comme illustré sur le schéma 7.
2. Connectez le fil d'alimentation neutre (blanc) au fil d'entrée du récepteur (blanc, entrée CA Neutre).
3. Connectez le fil de terre domestique au fil de terre du support de ventilateur (vert) et au fil de terre du boîtier du ventilateur.
4. Connectez le fil de sortie du récepteur (noir, VERS LE MOTEUR SOUS TENSION) au fil d'alimentation sous tension du moteur (noir, VERS LE MOTEUR SOUS TENSION).
5. Connectez le fil de sortie du récepteur (blanc, VERS LE MOTEUR NEUTRE) au fil d'entrée neutre du moteur (blanc, VERS LE MOTEUR NEUTRE)
6. Connectez le fil de sortie du récepteur (bleu, POUR LA LUMIÈRE) au fil

d'alimentation sous tension du ventilateur (bleu, POUR LA LUMIÈRE).

7. Tirez le câble de sécurité métallique sur le crochet de sécurité, serrez le câble de sécurité (schéma 8).
8. Après avoir connecté les fils, tournez les écrous de connexion vers le haut et poussez le câblage dans le cache de suspension du ventilateur.
9. Placez soigneusement le récepteur dans le cache suspendu du ventilateur. Veillez à ne pas endommager ni desserrer le câblage.

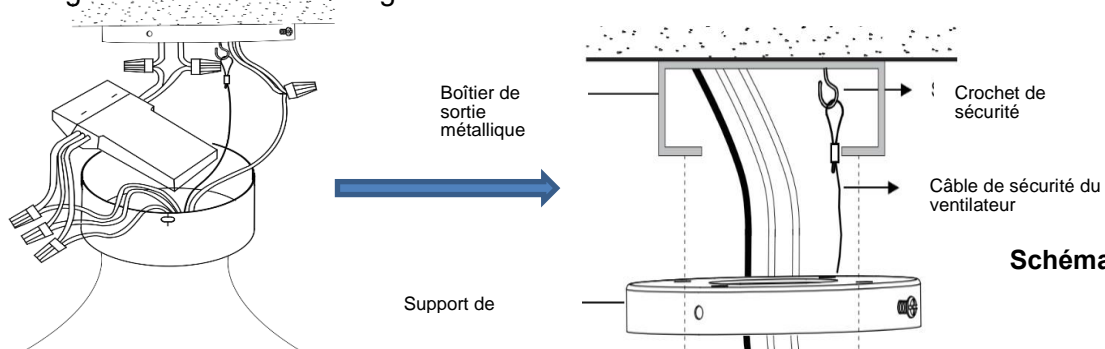


Schéma 8

INSTALLATION DE L'ASSEMBLAGE DU VENTILATEUR SUR LE SUPPORT DE MONTAGE

Installez le ventilateur sur le support de montage (**Schéma 8a**) :

- Desserrez les deux vis du cache (1) et retirez-les du support de montage.
- Desserrez les deux vis du cache avec la rondelle en étoile (2) d'un demi-filetage du support de montage. (Pour la fente en forme de L sur le cache à monter).

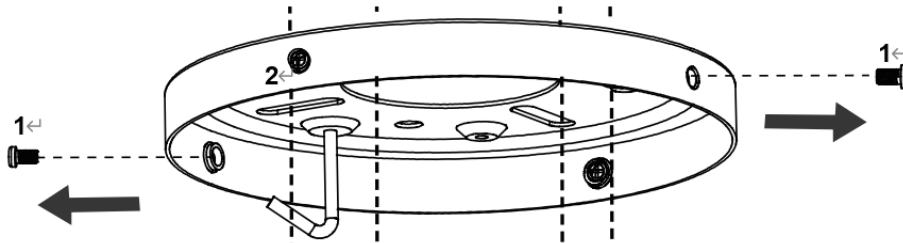


Schéma 8a

- Soulevez le cache suspendu (3) de l'assemblage du ventilateur jusqu'au support de montage et laissez la fente en forme de L du cache suspendu (3) passer à travers les deux vis du cache avec la rondelle en étoile (2). (**Schéma 8b**)
- Tournez le cache suspendu (3) jusqu'à ce qu'il se verrouille en place à l'extrémité de la fente en forme de L, en veillant à ce que la rondelle en étoile se trouve entre le cache suspendu (3) et la tête de la vis. Fixez-le en serrant les deux vis de la cache avec la rondelle en étoile (2).
- Fixez et serrez les vis du cache (1) sur le support de montage. Le cache suspendu (3) doit comporter 4 vis (1) et (2) au total. Évitez d'endommager le câblage électrique préparé précédemment lorsque vous suspendez le cache.

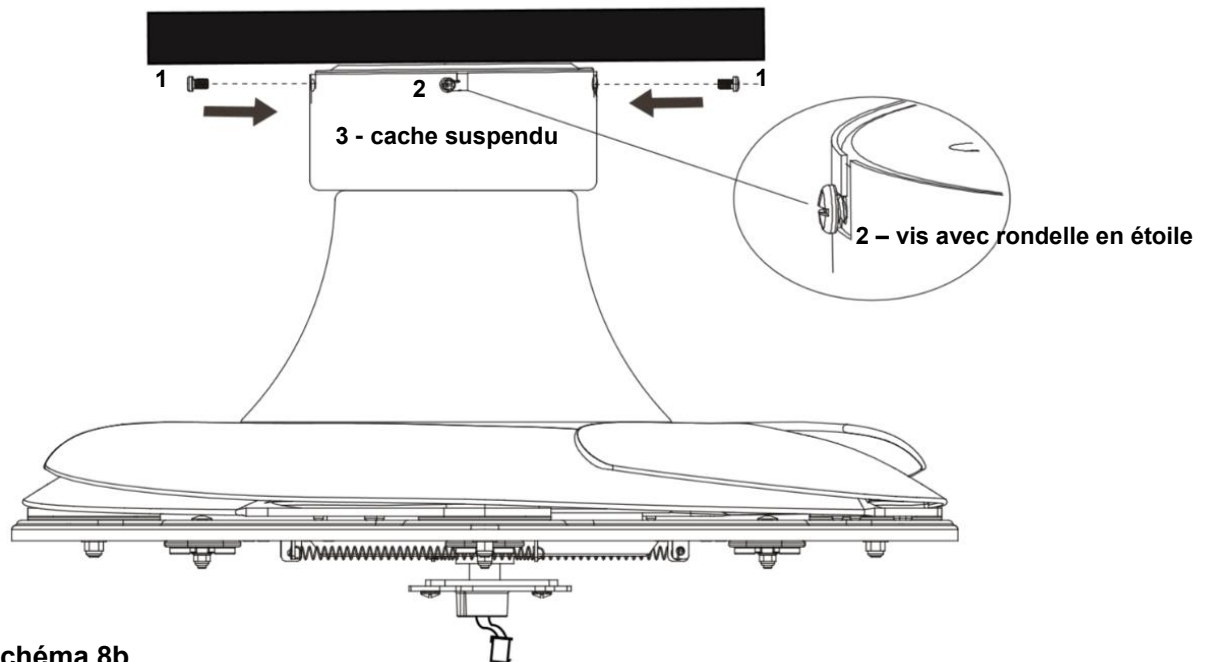
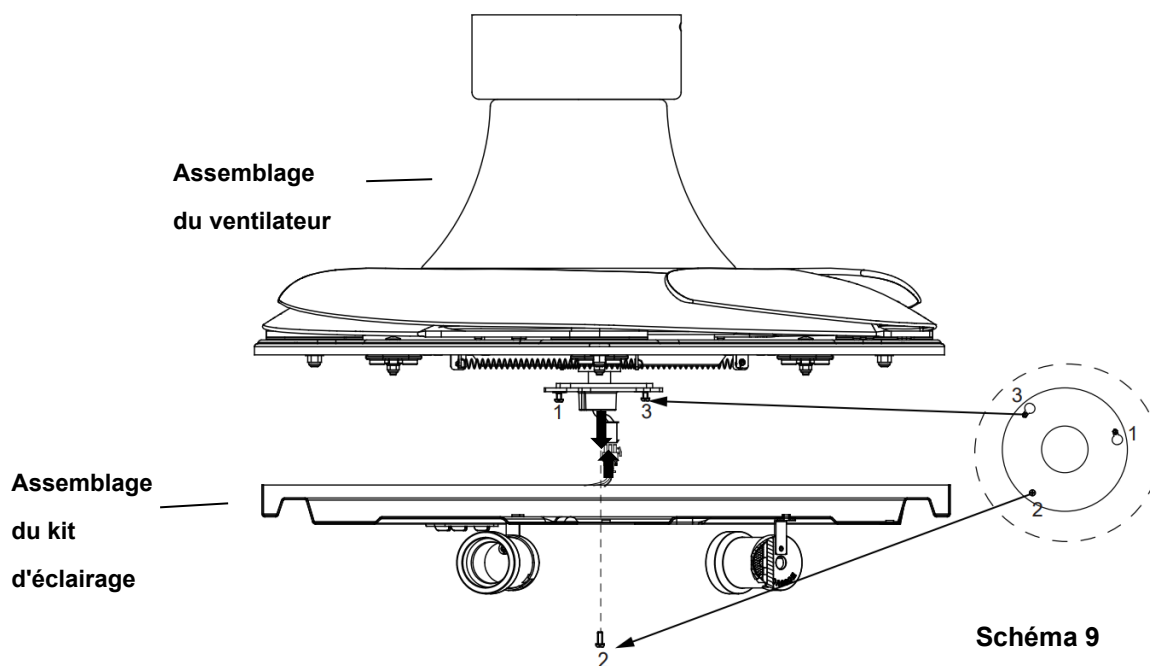


Schéma 8b

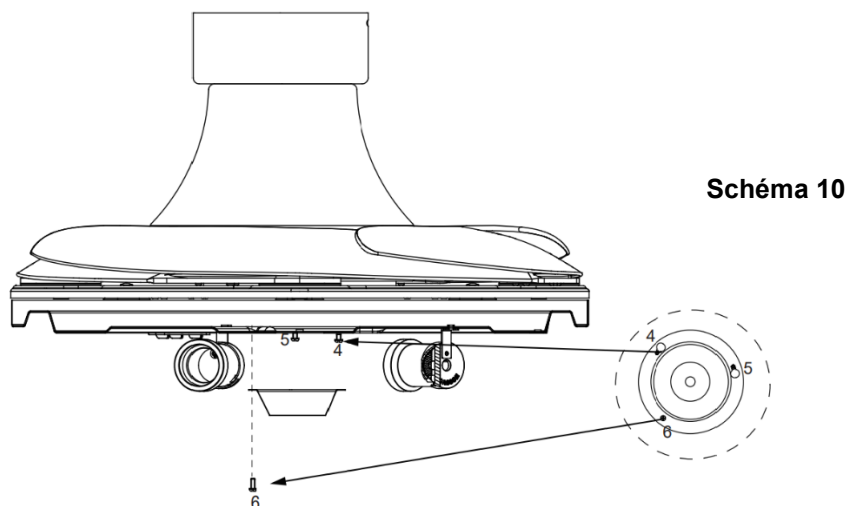
INSTALLATION DU VENTILATEUR

INSTALLATION DU KIT D'ÉCLAIRAGE (schémas 9, 10 et 11)

1. Desserrez la vis (2) de la plaque du kit d'éclairage. Alignez les deux vis à fente avec la fente en trou de serrure (1) et (3) de la plaque du kit d'éclairage. (**Schéma 9**)
2. Tournez le kit d'éclairage dans le sens inverse des aiguilles d'une montre jusqu'à ce que les vis à fente soient fermement fixées à l'extrémité des fentes (2).
3. Fixez la vis (2) à la plaque du kit d'éclairage. Serrez les trois vis. Ne serrez pas trop.



4. Connectez le connecteur rapide du ventilateur au connecteur rapide du kit d'éclairage (schéma 9).
5. Desserrez la vis (6) de la plaque du kit d'éclairage. Alignez les deux vis à fente avec les fentes en trou de serrure (4) et (5) du couvercle de la plaque du kit d'éclairage. (Schéma 10)
6. Tournez le couvercle dans le sens inverse des aiguilles d'une montre jusqu'à ce que les vis des fentes soient bien en place à l'extrémité des fentes (6).
7. Fixez la vis (6) au couvercle de la plaque du kit d'éclairage. Serrez les trois vis. Ne serrez pas trop.



8. Installez les globes sur les supports de lampe. Ne dépassez pas la puissance nominale maximale. (**Schéma 11**).
9. Enfin, installez l'abat-jour sur la plaque de la lampe en le tournant dans le sens des aiguilles d'une montre.

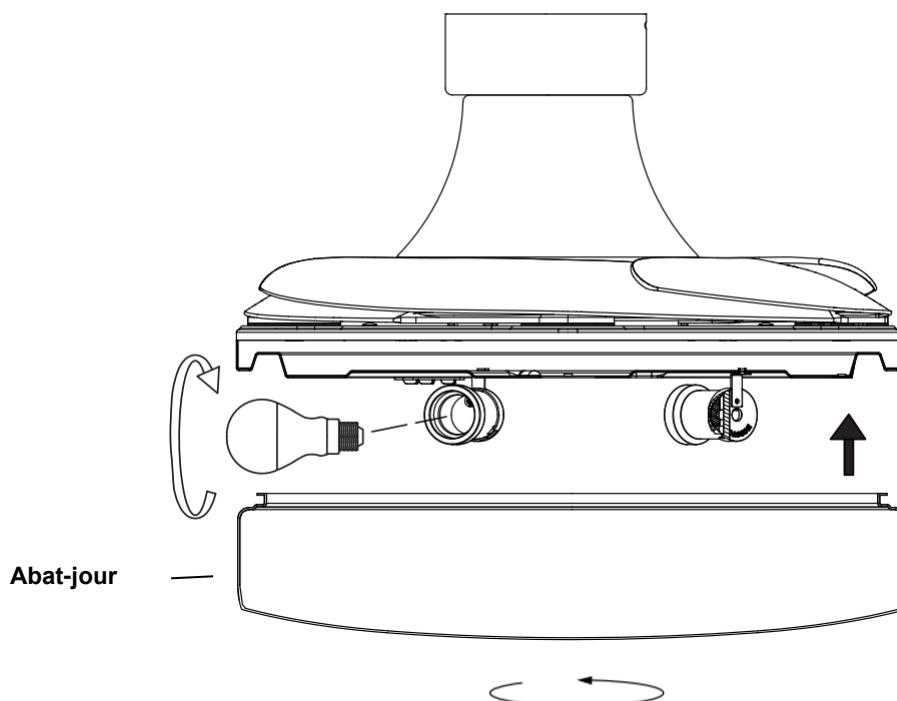


Schéma 11

INSTALLATION DU SUPPORT DE LA TÉLÉCOMMANDE Schéma 12

Installez le support mural avec les deux vis fournies et suspendez la télécommande

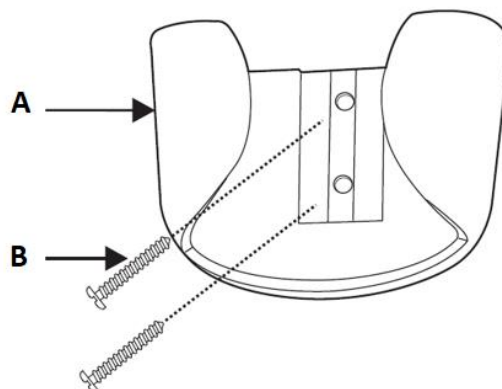


Schéma 12

UTILISATION DE VOTRE VENTILATEUR DE PLAFOND

INSTALLATION DES COMMUTATEURS DIP

Lorsque deux ventilateurs ou plus sont situés proches l'un de l'autre, vous pouvez souhaiter que le récepteur / télécommande de chaque ventilateur soit réglé sur un code différent, de sorte que le fonctionnement d'un ventilateur n'affecte pas le fonctionnement des autres ventilateurs.

Les commutateurs DIP du récepteur sont situés sur la surface plane du récepteur. Les commutateurs DIP de la télécommande se trouvent dans le compartiment à piles. **Schéma 13**

REMARQUE : Assurez-vous que les câbles d'alimentation ont été mis hors tension avant de définir le code.

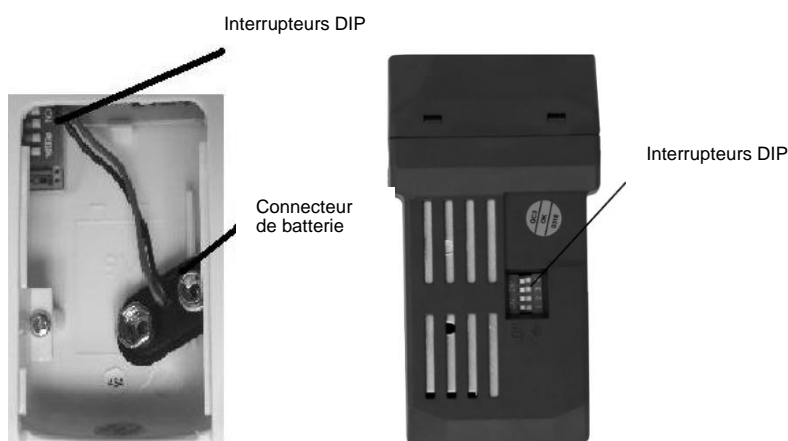


Schéma 13

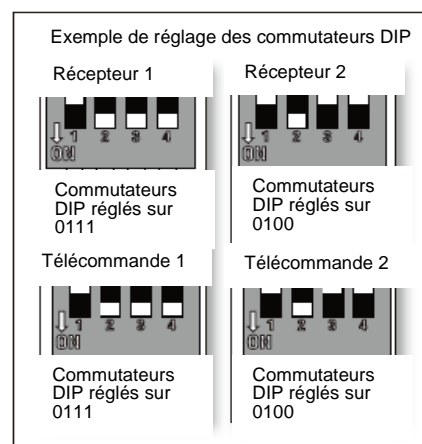


Schéma 14

Modifiez la position des commutateurs DIP dans la télécommande et le récepteur. Assurez-vous que les commutateurs DIP correspondent dans le récepteur et dans la télécommande. S'ils ne correspondent pas, la télécommande ne fonctionnera pas. **Schéma 14**

INSTALLATION DES PILES DANS LA TÉLÉCOMMANDE

1 pile 9V CC (type) est nécessaire pour utiliser la télécommande. Retirez le couvercle du compartiment des piles à l'arrière de la télécommande et insérez 1 pile 9V CC (type). Assurez-vous que les polarités sont correctes, comme illustré dans le compartiment des piles. (Piles incluses).

UTILISATION DE LA TÉLÉCOMMANDE :

Avant de commencer à utiliser la télécommande, prenez le temps de lire cette section et de vous familiariser avec les boutons et la fonction de chaque bouton.

Indicateur LED

L'indicateur LED rouge situé sur le dessus de la télécommande clignote lorsque les boutons sont actifs.

BOUTONS DE LA TÉLÉCOMMANDE

FORT : Appuyez sur ce bouton pour que le ventilateur fonctionne à forte vitesse.

MOYEN : Appuyez sur ce bouton pour que le ventilateur fonctionne à vitesse moyenne.

FAIBLE : Appuyez sur le bouton pour que le ventilateur fonctionne à faible vitesse.

ARRÊT : Appuyez sur ce bouton pour éteindre le ventilateur.



BOUTON DE COMMANDE DE LA LUMIÈRE :

Appuyez sur ce bouton pour allumer ou éteindre la lumière.

Appuyez sur le bouton et maintenez-le enfoncé pour accéder à la fonction de variation de la lumière.

La télécommande a une fonction de mémoire. Si le ventilateur ou l'indicateur est éteint par le commutateur d'isolation, il mémorisera et récupérera le dernier statut lors de la prochaine activation.

FONCTION D'INVERSION (schéma 16)

Votre ventilateur de plafond peut fonctionner en mode été ou en mode hiver.

Mode ÉTÉ : Le commutateur d'inversion doit être en position « abaissée » (ÉTÉ) pour faire tourner le ventilateur dans le sens inverse des aiguilles d'une montre. Le flux d'air sera dirigé vers le bas pour le refroidissement en été.

Mode HIVER : Le commutateur d'inversion doit être en position « remontée » (HIVER) pour faire tourner le ventilateur dans le sens des aiguilles d'une montre. Le flux d'air sera dirigé vers le haut pour aider à la circulation de l'air chaud afin de préserver l'énergie en hiver.

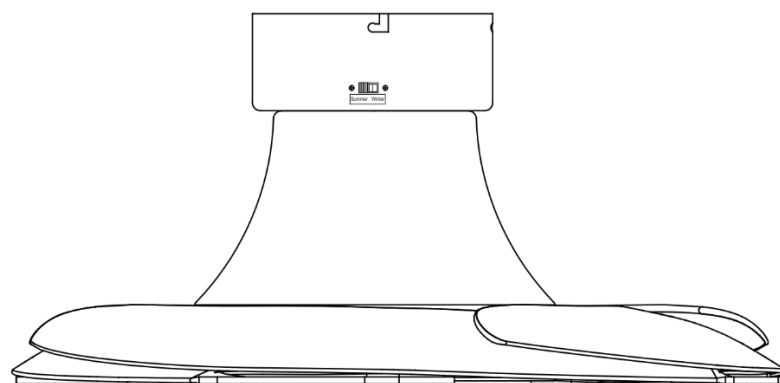
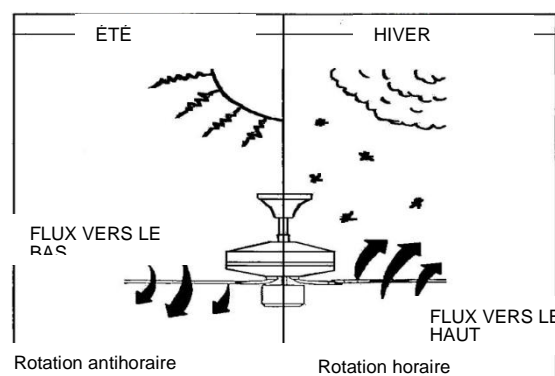


Schéma 16



APRÈS L'INSTALLATION

TREMBLEMENTS :

REMARQUE : les ventilateurs de plafond ont tendance à bouger en cours de fonctionnement car ils sont montés sur un œillet en caoutchouc. Si le ventilateur était monté de manière rigide au plafond, cela provoquerait des vibrations excessives. Un mouvement de quelques centimètres est tout à fait acceptable et NE suggère AUCUN problème.

POUR RÉDUIRE LES TREMBLEMENTS DU VENTILATEUR : Veuillez vérifier que toutes les vis qui fixent le support de montage sont bien serrées.

BRUIT :

Lorsque l'environnement est calme (surtout la nuit), vous pouvez entendre de petits bruits occasionnels. De légères fluctuations de puissance et des signaux de fréquence superposés à l'électricité pour le contrôle de l'eau chaude en période creuse peuvent provoquer une modification du bruit du moteur du ventilateur. Ce phénomène est normal. Veuillez prévoir une période de « rodage » de 24 heures, la plupart des bruits associés à un nouveau ventilateur disparaissent après cette période. Tous les moteurs électriques sont audibles dans une certaine mesure. Veuillez noter qu'il ne s'agit pas d'un défaut du produit et que, de ce fait, il n'est pas couvert par la garantie.

ENTRETIEN ET NETTOYAGE

REMARQUE : Coupez toujours l'alimentation au niveau de l'interrupteur principal avant d'effectuer tout entretien ou de tenter de nettoyer votre ventilateur.

- 1) Tous les 6 mois, le nettoyage périodique de votre ventilateur de plafond est le seul entretien requis. Utilisez une brosse douce ou un chiffon non pelucheux pour éviter de rayer la peinture. Veuillez couper l'alimentation électrique lorsque vous procédez au nettoyage
- 2) Ne faites pas tremper ni immerger le produit dans de l'eau ou d'autres liquides. Cela pourrait endommager le moteur ou les pales et créer un risque de choc électrique.
- 3) Assurez-vous que le raccord n'entre pas en contact avec des solvants organiques ou des produits de nettoyage.
- 4) Pour nettoyer les pales du ventilateur, essuyez-les uniquement avec un chiffon propre et humide, SANS solvants ni détergents organiques.
- 5) Le moteur est doté d'un roulement à billes lubrifié en permanence, il n'est donc pas nécessaire de lubrifier.

INFORMATIONS TECHNIQUES

Dimensions du ventilateur	Vitesse	Volts (V)	Amps (A) (A)	Watts (W)	TR / MIN	CFM	CFM/W	Poids net (livres)	C.F.
BI-36" FAN -ORBIT-E26-XXX	Extra-rapide	120	0,46	54,92 W	285	3042,43	55,4	17,2	3,05
	Moyenne ment rapide	120	0,34	27,35 W	219	2146,70	78,49	17,2	3,05
	Faible	120	0,23	12,48 W	170	1332,89	106,8	17,2	3,05

Ce sont des mesures approximatives. Elles ne comprennent pas les données pour les lampes ou les luminaires fixés au ventilateur de plafond.

GARANTIE

La garantie d'un an couvre l'ensemble du ventilateur. Veuillez vous référer à la carte de garantie pour les détails.