	CAUTION	
	<p>TURN OFF THE MAIN POWER AT THE CIRCUIT BREAKER BEFORE INSTALLING THE FIXTURE IN ORDER TO PREVENT POSSIBLE SHOCK</p>	<p>IF YOU ARE UNFAMILIAR WITH PROPER ELECTRICAL WIRING CONNECTIONS, OBTAIN THE SERVICES OF A QUALIFIED ELECTRICIAN</p>

GENERAL

- Read all instructions carefully for safe operation and installation.
- All electrical connections must be in accordance with local and national electrical code (N.E.C) standards.
- Remove the fixture and the mounting package from the box and make sure that no parts are missing by referencing the illustrations on the installation instruction. Please contact Blackjack if any parts are missing or damaged.
- This product is suitable for damp locations.

INSTALLATION

Preparation

1. Carefully remove the fixture from its box.
2. Screw the diffuser (20) onto the fixture socket (19).
3. To remove the ceiling plate (10) from the canopy cover (11) first loosen the canopy screw (12), then push the canopy housing up and twist to the left.
4. Pull the supply wires (2&4) and the house ground wire (6) from the outlet box (1).

Electrical Connections

5. Using the wire connectors (8), connect the white supply wire (2) to the white fixture wire (3); connect the black supply wire (4) to the black fixture wire (5); and connect the house ground wire (6) to the fixture ground wire (7).

Mounting

6. Once all the wires are connected carefully wind them up and secure with the included twist ties. Then place the wires back into the outlet box (1). Secure the ceiling plate (10) to the outlet box (1) by sliding the mounting screws (9) through the holes in the ceiling plate (10) and screwing them into the outlet box (1).

Final Assembly

7. Adjust the pendant cable (18) to the desired length (if in doubt about exact length needed, leave a little extra cable until the final installation of the canopy cover (11). Push the excess cable up into the canopy by pressing the small barrel of the gripper (16) upward. This will release the wire tension and allow the suspended cable to be pulled through gripper (17). Wind the excess cable around the u-bracket (14) located in the canopy cover (11). Wrap the supplied Velcro strap around this loop to keep the excess cable from falling outside of it. Then attach low voltage power feed by plugging in the female connector (15) from the driver (13) to the male connector from the pendant cable (16).
8. Secure the canopy cover (11) to the ceiling plate (10) by first aligning the canopy (11) cut outs with the ceiling plate (10) tabs then pushing the canopy cover (11) up over the ceiling plate (10) and twisting to the right. Lastly secure them together with the canopy screw (12).

DIMMING

- Fixture Dimming Type: TRIAC or ELV dimming.
- For recommended dimmers see <https://www.blackjacklighting.com/dimming-information>

White Glass Globe

SP-GGS-WH-03 (3" Diameter)

HARDWARE

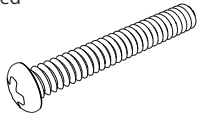
Wire Connector (#8)

3 Included



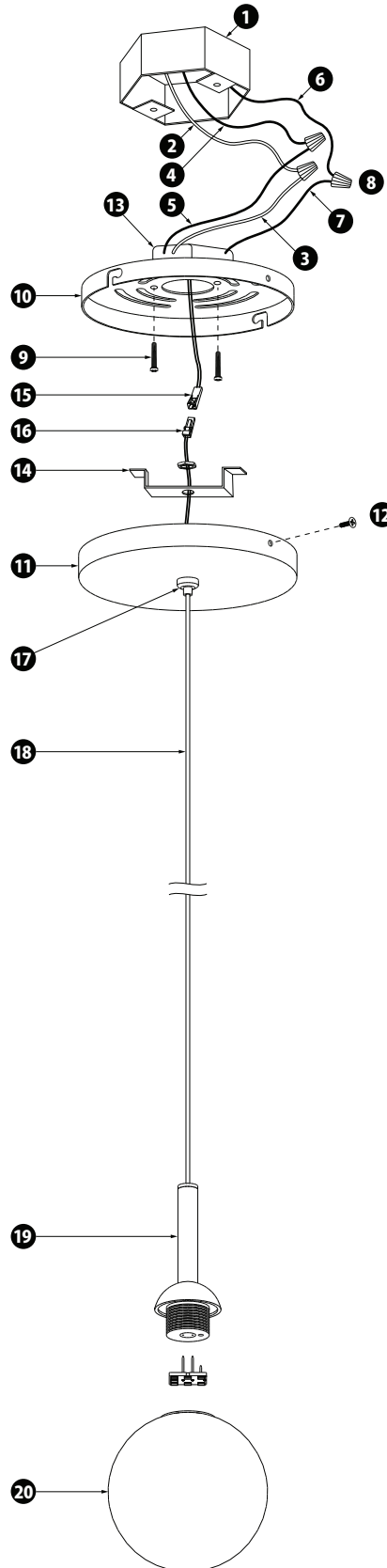
Mounting Screws (#9)

2 Included



Canopy Screw (#12)

1 Included



- 1 OUTLET BOX (By Others)
- 2 WHITE SUPPLY WIRE
- 3 WHITE FIXTURE WIRE
- 4 BLACK SUPPLY WIRE
- 5 BLACK FIXTURE WIRE
- 6 HOUSE GROUND WIRE
- 7 FIXTURE GROUND WIRE
- 8 WIRE CONNECTORS
- 9 MOUNTING SCREWS
- 10 CEILING PLATE
- 11 CANOPY COVER
- 12 CANOPY SCREW
- 13 DRIVER
- 14 U-BRACKET
- 15 FEMALE CONNECTOR
- 16 MALE CONNECTOR
- 17 GRIPPER
- 18 CABLE
- 19 FIXTURE SOCKET
- 20 DIFFUSER