

Product Description

This new version of our popular Over-Counter linear fixture is ready to accept two standard or dimmable bi-pin T8 LED light sources (sold separately). The recommended T8 lamps are available through other retailers. Fixture can accommodate bi-pin T8 LED lamps ranging from 120V-277V

Construction

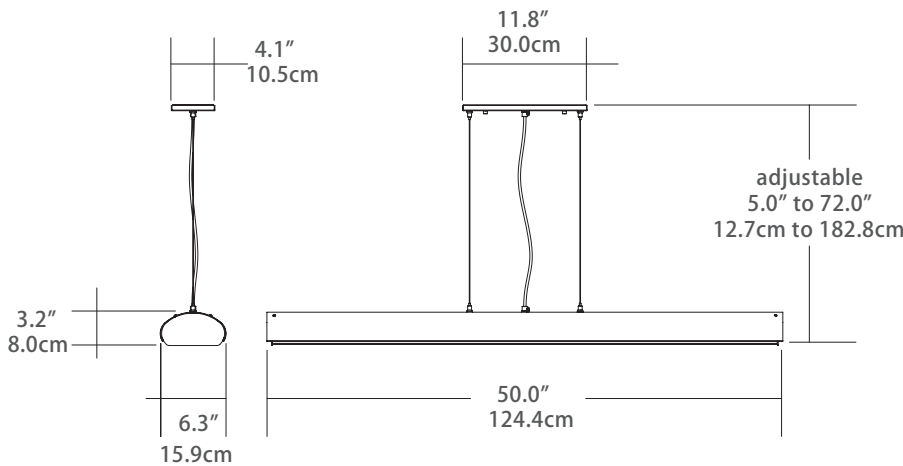
- Fitted with frosted prismatic acrylic lens
- Stamped metal exterior
- Fixture is suspended by coated aircraft cable

Installation

- Adjustable aircraft cable suspends fixture from 5" to 72" from ceiling
- Mounts directly to junction box

Product Features

- Available in three baked enamel finishes: Red, White, and Grey
- Does not accept T8 fluorescent lamps
- Listed for damp locations



49" LED Over-Counter

Model No: 10LCL-2LRD-LR (Red)
Model No: 10LCL-2LWH-LR (White)
Model No: 10LCL-2LGR-LR (Grey)

Baked gloss enamel paint
 Frosted acrylic diffuser
 Cord Length: 6½ feet (198 cm)



(Lamps not included)*

Fixture requires two 4 foot T8 LED line voltage lamps.
(Lamps not included)*

STANDARD T8 LED LAMPS:

- Specifications for all lamps: 4' / 120V-277V / 80+ CRI / approx. 2000 lumens / 50,000+ hour life / DLC
- Listed / 5Year warranty

Bulbrite

- LED20T8 / 830K [300K color temp.]
- LED20T8 / 840K [4000K color temp.]

www.bulbright.com

MaxLite

- L18T8SE435 [3500K color temp.]
- L18T8SE441 [4100K color temp.]
- L18T8SE450 [5000K color temp.]

www.maxlite.com

Neptun Light

- LED-88020-UNV-830-1P [3000K color temp.]
- LED-88020-UNV-835-1P [3500K color temp.]
- LED-88020-UNV-841-1P [4100K color temp.]
- LED-88020-UNV-850-1P [5000K color temp.]

www.neptunlight.com

DIMMABLE T8 LED LAMPS:

- Specifications for all lamps: 4' / 120V-277V / 80+ CRI / approx. 2000 lumens / 70,000+ hour life / DLC
- Listed / 5Year warranty

Neptun Light

- LED-88020-ADIM-830-1P [3000K color temp.]
- LED-88020-ADIM-835-1P [3500K color temp.]
- LED-88020-ADIM-841-1P [4100K color temp.]
- LED-88020-ADIM-850-1P [5000K color temp.]

www.neptunlight.com