

Product Description

Some environments beg for decoratively neutral lighting. Cube LED lighting fits the bill with elegant lines and bright, warm (90 CRI) illumination. This versatile series offers unlimited lighting solutions whether used alone or in combination

Construction

- Thin polished chrome trim surrounds a matte white acrylic diffuser
- Precision stamped chrome metal housing

Installation

- Mounts directly to junction box
- Can be mounted on wall or ceiling

Product Features

- Listed for damp locations
- Instant on/off; dimmable with TRIAC dimmer

Recommended TRIAC dimmers: LUTRON: ARIADNI AYCL-153P, DIVA DVCL-153P, SKYLARK CTCL-153P, SKYLARK SCL-153P; LEVITON: ILLUMATECH IPI06-1L, IPI10-1L

5" Cube Flush Mount

Model No: CUB-05F-PC (Polished Chrome)
 Fixture Wattage: 15.8W
 Approx. fixture output: 935 lumens / 80 CRI

11" Cube Flush Mount

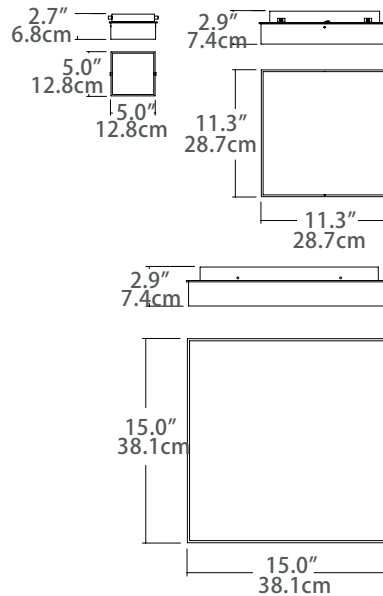
Model No: CUB-11F-PC (Polished Chrome)
 Fixture Wattage: 22.4W
 Approx. fixture output: 1494 lumens / 90 CRI

15" Cube Flush Mount

Model No: CUB-15F-PC (Polished Chrome)
 Fixture Wattage: 43.2W
 Approx. fixture output: 2571 lumens / 90 CRI

Specification for all above fixtures:

Input voltage: 90-130V AC 50/60Hz
 3000K color temp



12" Cube Vanity

Model No: CUB-12V-PC (Polished Chrome)
 Fixture Wattage: 21.6W
 Approx. fixture output: 892 lumens

24" Cube Vanity

Model No: CUB-24V-PC (Polished Chrome)
 Fixture Wattage: 22.08W
 Approx. fixture output: 1682 lumens

36" Cube Vanity

Model No: CUB-36V-PC (Polished Chrome)
 Fixture Wattage: 29.4W
 Approx. fixture output: 2359 lumens

Specification for all above fixtures:

Input voltage: 90-130V AC 50/60Hz
 3000K color temp / 90 CRI

