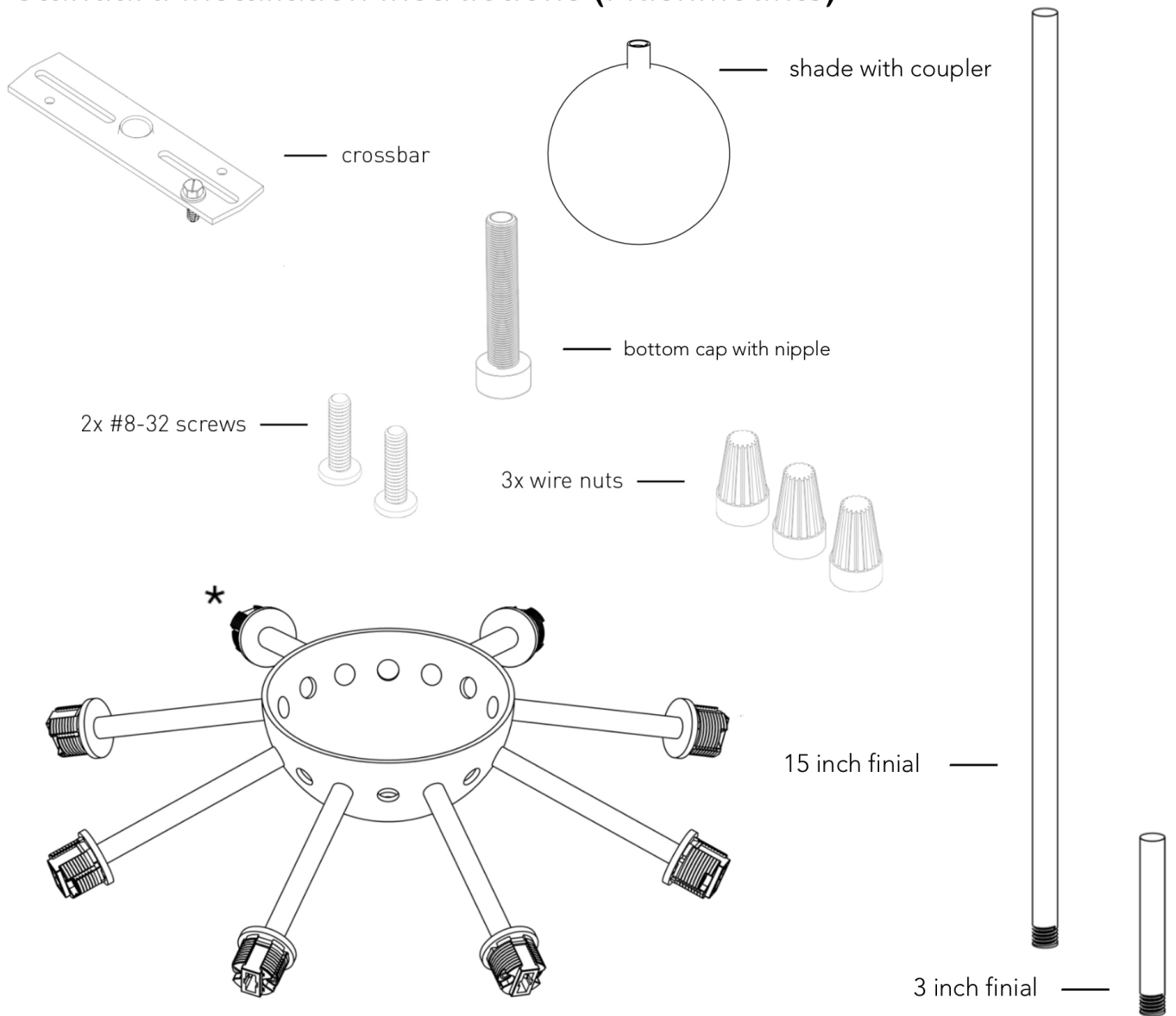
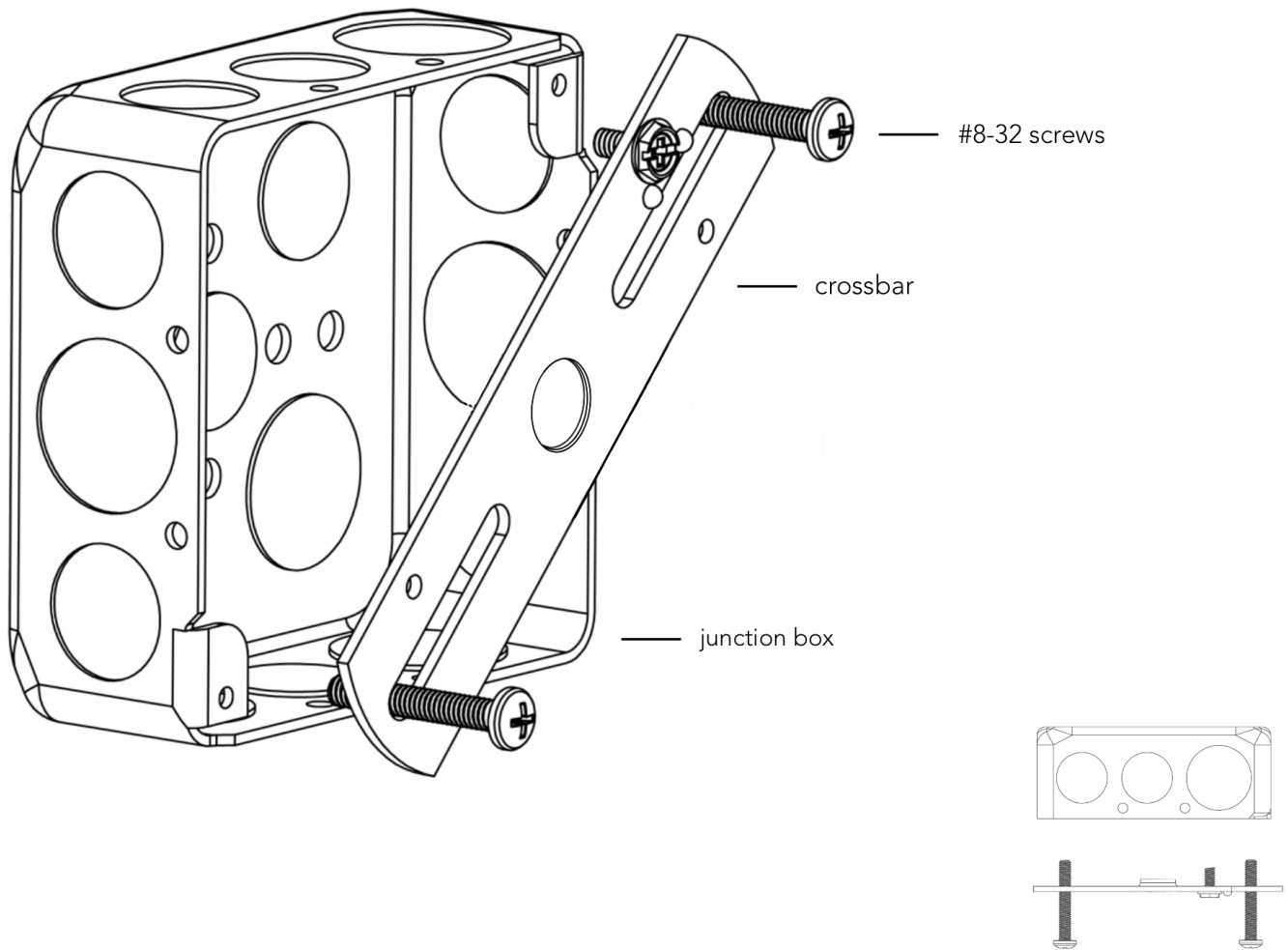


Standard Installation Instructions (Flushmounts)

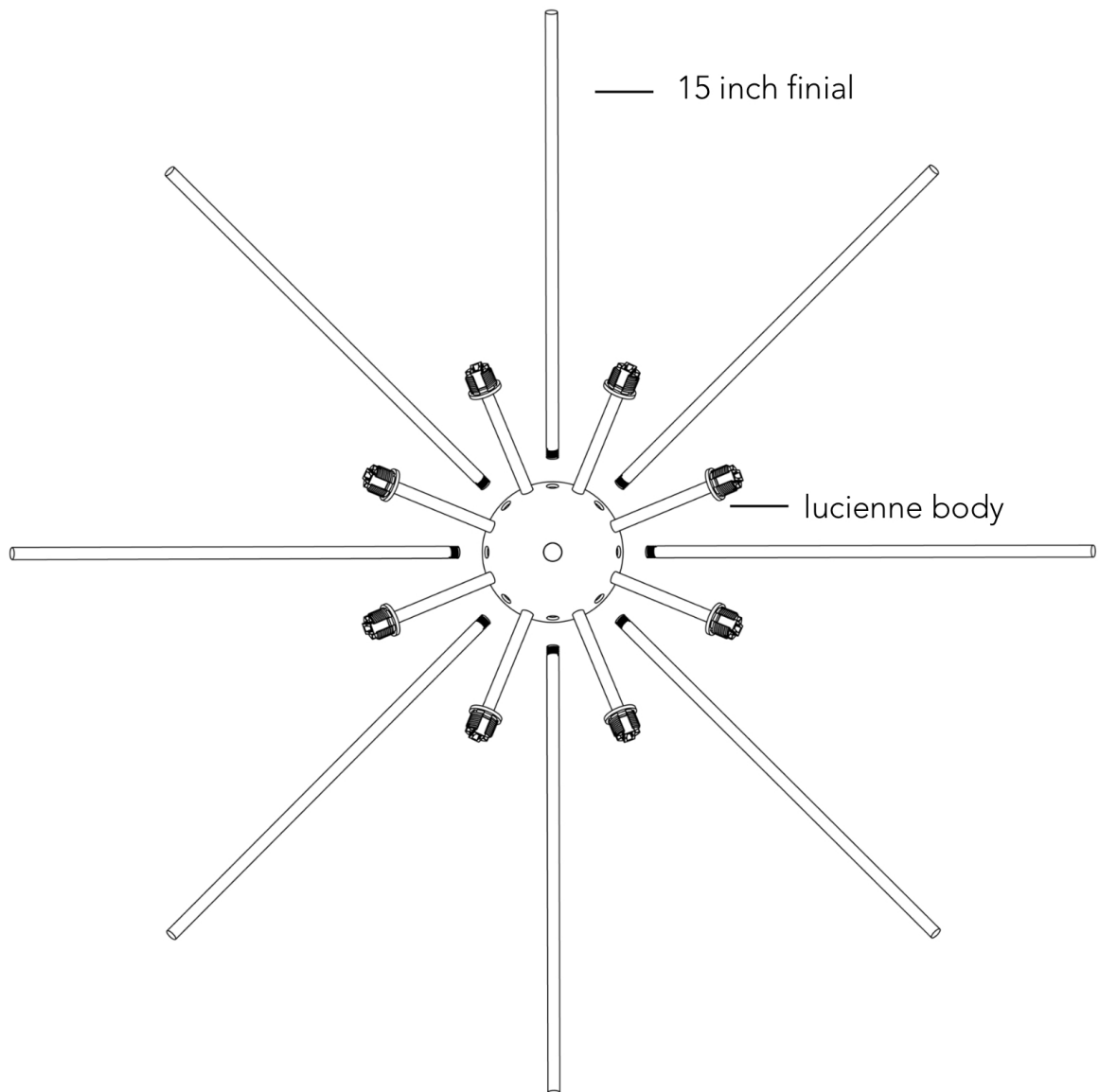


*Please note that the Lucienne fixture is used here as an example only. Our Standard Installation Instructions can be used for multiple fixtures that share the same canopies. For a full list of such fixtures, please refer to the Installation Instructions page on our website.

1. Mount the crossbar to the junction box using the provided #8-32 screws.

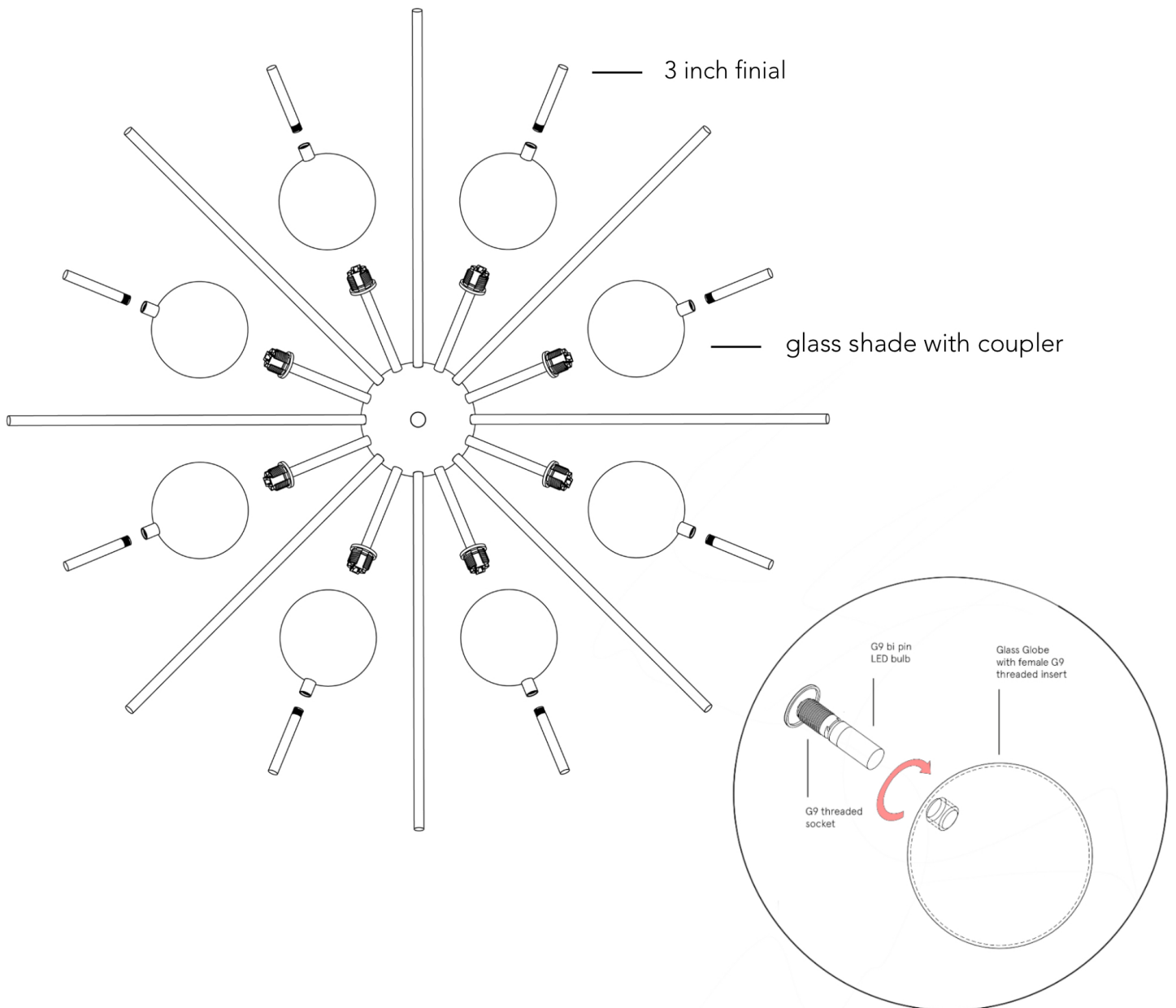


2. Screw the 15 inch finials into the Lucienne body

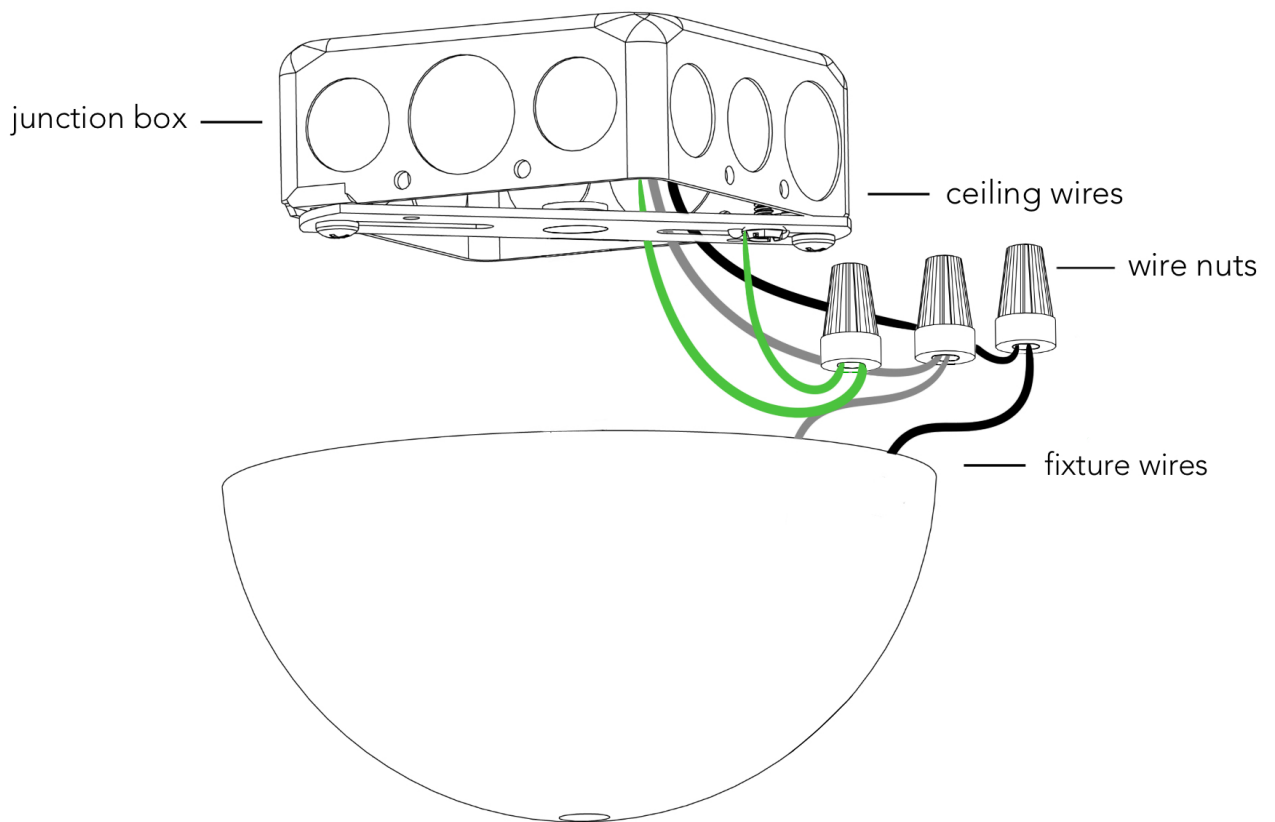


3. Screw the 3 inch finials into the coupler on the glass shade.

4. Insert G9 bi pin LED bulbs into the sockets and then install the glass shades by threading them onto the G9 threaded sockets. See detail in bottom right.



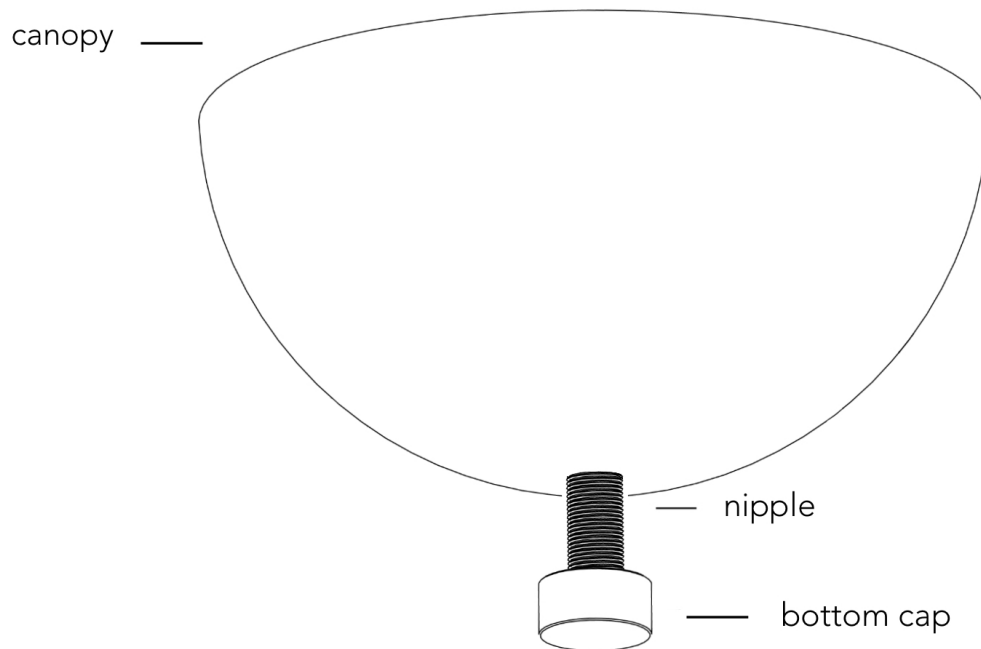
5. Lift the fixture by the canopy up to the junction box.
6. Connect the fixture ground wire to the ceiling ground wire.
7. Connects the +/- fixture wires to the +/- ceiling wires.



arms not pictured for clearer view

8. Feed the bottom cap with the nipple through the canopy and twist so the nipple threads through the crossbar.

9. Twist the bottom cap until it is flush with the canopy .



arms not pictured for clearer view