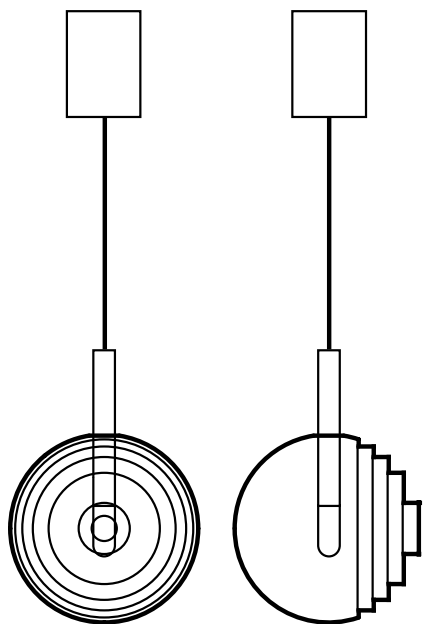


dark & bright star

Design by Dechem Studio



bomma

bomma.cz

TECHNICAL SHEET

DARK & BRIGHT STAR

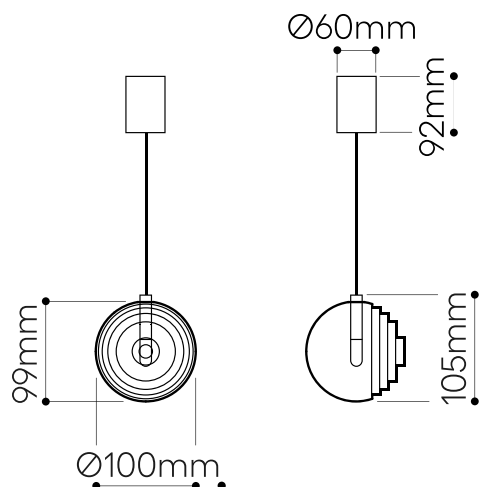
pendant small

Design by
Dechem Studio

Handmade glass attributes

All Bomma products are hand-made from mouth-blown lead-free crystal. Therefore any small bubbles and/or irregularities in the glass are both a proof and a characteristic feature of this traditional craft.

The Dark and Bright Star Collection is produced in two colors, simply referred to as dark and bright. The bright version is clear glass with an opaque sanded finish, the dark version is made of fully-colored glass. Thanks to the manual process of blowing, each piece is an original. Individual products may vary slightly in hue or color intensity.



LIGHTING DESCRIPTION

Size	dia. 100 mm, H 105 mm dia. 3,9 inch, H 4,1 inch
Cable	transparent 2,5 m / 98,4 inch
Weight	+ - 0,7 kg / 1,54 lb
Glass	mouth-blown lead-free crystal in dark and bright
Mounting	brushed gold (brushed brass) anthracite (brass and galvanized black nickel)
Protection	IP 20
Nominal voltage	220-240V A.C. 50 hz (EU) 110-120 V A.C. 60 Hz (USA)
Class	III. EU / II. USA

LIGHT SOURCE

Type	G4, 1,2W LED, 100 lm
Base	G4 (EU) / G4 (USA)
Voltage	12V, AC
Temperature	2700 K
Color index	RA 90+
Dimming	Dimmable in constellations. Single pendant is non-dimmable except UL

TRANSFORMER

Primary	100-240V, 50/60 Hz, 0,04A
Dimmer	DC 700mA (0,5V-4V) 1x3W

PACKAGING

Material	Cardboard
Size	185 × 165 × 165 mm 7,3 × 6,5 × 6,5 inch

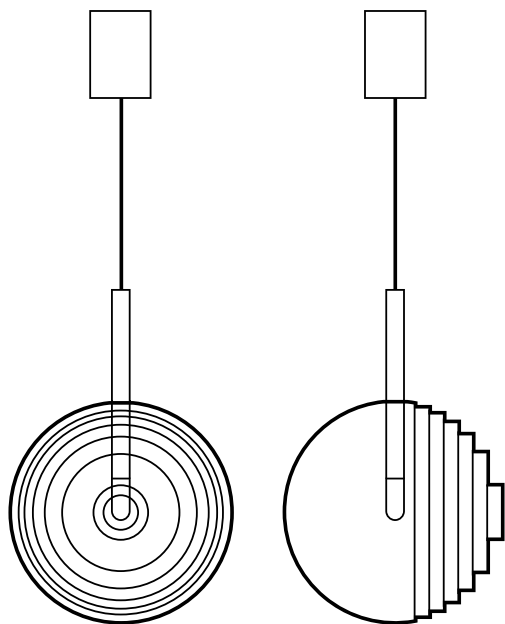
Origin: traditionally produced in the Czech Republic
Intellectual property license holder: Bomma Czech Republic (EU)
Represented by BMRC group s.r.o.

CERTIFICATES



dark & bright star

Design by Dechem Studio



bomma

bomma.cz

TECHNICAL SHEET

DARK & BRIGHT STAR

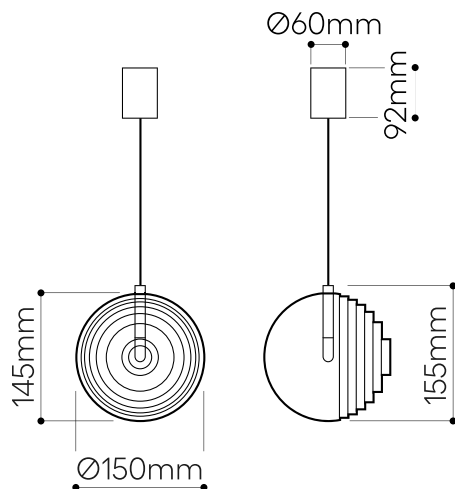
pendant large

Design by
Dechem Studio

Handmade glass attributes

All Bomma products are hand-made from mouth-blown lead-free crystal. Therefore any small bubbles and/or irregularities in the glass are both a proof and a characteristic feature of this traditional craft.

The Dark and Bright Star Collection is produced in two colors, simply referred to as dark and bright. The bright version is clear glass with an opaque sanded finish, the dark version is made of fully-colored glass. Thanks to the manual process of blowing, each piece is an original. Individual products may vary slightly in hue or color intensity.



LIGHTING DESCRIPTION

Size	dia. 150 mm, H 155 mm dia. 5,9 inch, H 6,1 inch
Cable	transparent 2,5 m / 98,4 inch
Weight	+/- 1,5 kg / 3,3 lb
Glass	mouth-blown lead-free crystal in dark and bright
Mounting	brushed gold (brushed brass) anthracite (brass and galvanized black nickel)
Protection	IP 20
Nominal voltage	220-240V A.C. 50 hz (EU) 110-120 V A.C. 60 Hz (USA)
Class	III. EU / II. USA

LIGHT SOURCE

Type	G4, 1,2W LED, 100 lm
Base	G4 (EU) / G4 (USA)
Voltage	12V, AC
Temperature	2700 K
Color index	RA 90+
Dimming	Dimmable in constellations. Single pendant is non-dimmable except UL

TRANSFORMER

Primary	100-240V, 50/60 Hz, 0,04A
Dimmer	DC 700mA (0,5V-4V) 1x3W

PACKAGING

Material	Cardboard
Size	230 x 220 x 220 mm 9 x 8,6 x 8,6 inch

Origin: traditionally produced in the Czech Republic
Intellectual property license holder: Bomma Czech Republic (EU)
Represented by BMRC group s.r.o.

CERTIFICATES

