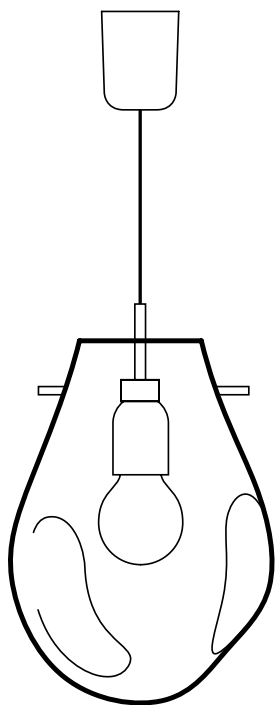


SOO|O

Design by Ota Svoboda



bomma

bomma.cz

TECHNICAL SHEET
FOR PENDANT LIGHT FIXTURES

SOAP pedant small

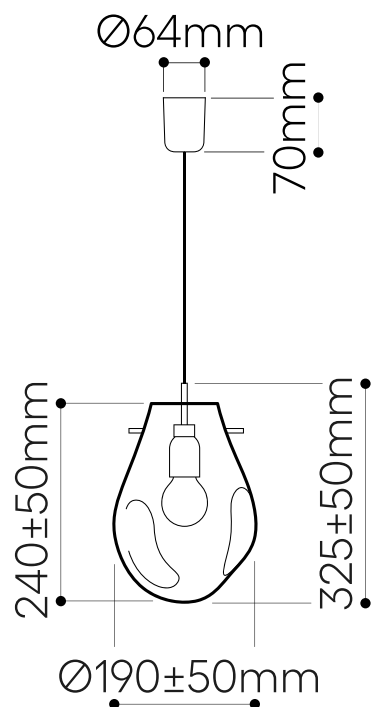
Design by
Ota Svoboda

Handmade glass attributes

All Bomma products are hand-made from mouth-blown lead-free crystal. Therefore any small bubbles, non-melts and irregularities in the glass are both proof and a characteristic feature of this traditional craft.

The intensity and color shade of metal-coated glass may vary slightly from product to product. Small dots in the coating, especially visible after the light is on, are not a defect of the product.

When installing and cleaning, touch the coated glass only with the gloves supplied. Failure to do so could cause irreversible damage to the surface. Never use liquid solutions or chemical cleaners to clean the metal-coated glass. Wipe the surface with a soft, dry cloth only.



LIGHTING DESCRIPTION

Size	dia. 190 mm \pm 50, H 325 mm \pm 50 dia. 7,4 inch \pm 2, H 12,8 inch \pm 2
Cable	grey, textile braid 2,5 m / 98,4 inch
Weight	+/- 1,6 kg / 3,52 lb
Glass	mouth-blown lead-free crystal in clear and frosted or with metal coating in silver, gold, blue, purple and green
Mounting	brushed silver (brushed stainless steel)
Protection	IP 20
Nominal voltage	220-240V / A.C. 50 hz (EU) 110-120 V / A.C. 60 Hz (USA)
Class	II. EU / I. USA

LIGHT SOURCE

Type	A60 / A19, 6,5W led, 600 lm (EU) A60 / A19, 6W led, 600 lm (USA)
Base	E27 (EU) / E26 (USA)
Wattage	max. 13W
Temperature	2700 K
Color index	RA 90+
Dimming	Dimmable with TRIAC ; on demand dimmable with DALI, RF/WIFI, for information on dimming with other systems please contact your Bomma partner.

PACKAGING

Material	Cardboard
Size	470 x 300 x 300 mm 18,5 x 11,8 x 11,8 inch

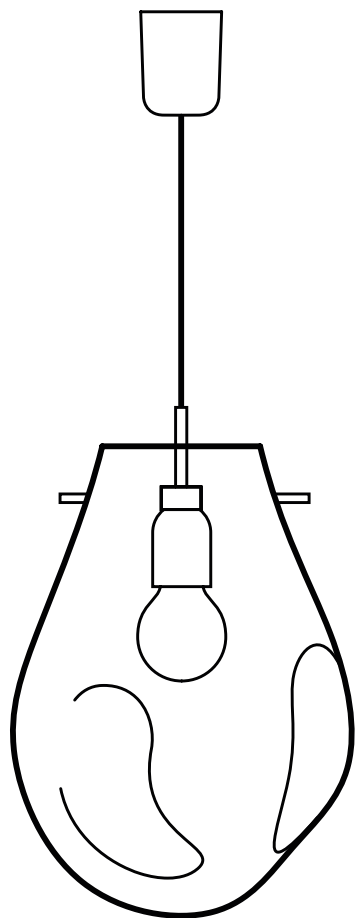
Origin: traditionally produced in the Czech Republic
Intellectual property license holder: Bomma Czech Republic (EU)
Represented by BMRC group s.r.o.

CERTIFICATES



SOO|O

Design by Ota Svoboda



bomma

bomma.cz

TECHNICAL SHEET
FOR PENDANT LIGHT FIXTURES

SOAP pendant large

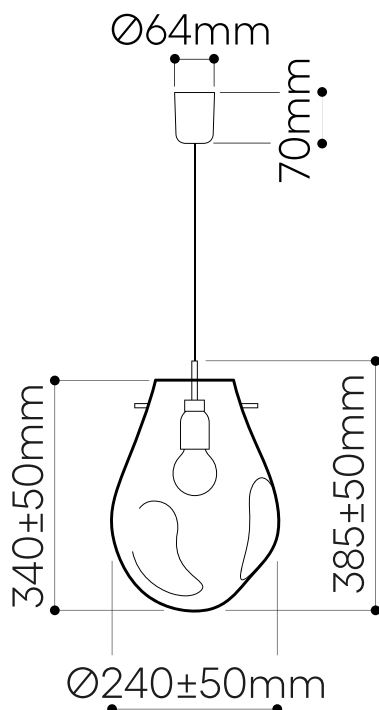
Design by
Ota Svoboda

Handmade glass attributes

All Bomma products are hand-made from mouth-blown lead-free crystal. Therefore any small bubbles, non-melts and irregularities in the glass are both proof and a characteristic feature of this traditional craft.

The intensity and color shade of metal-coated glass may vary slightly from product to product. Small dots in the coating, especially visible after the light is on, are not a defect of the product.

When installing and cleaning, touch the coated glass only with the gloves supplied. Failure to do so could cause irreversible damage to the surface. Never use liquid solutions or chemical cleaners to clean the metal-coated glass. Wipe the surface with a soft, dry cloth only.



LIGHTING DESCRIPTION

Size	dia. 240 mm \pm 50, H 385 mm \pm 50 dia. 9,4 inch \pm 2, H 15,2 inch \pm 2
Cable	grey, textile braid 2,5 m / 98,4 inch
Weight	+ - 2,6 kg / 5,7 lb
Glass	mouth-blown lead-free crystal in clear and frosted or with metal coating in silver, gold, blue, purple and green
Mounting	brushed silver (brushed stainless steel)
Protection	IP 20
Nominal voltage	220-240V / A.C. 50 hz (EU) 110-120 V / A.C. 60 Hz (USA)
Class	II. EU / I. USA

LIGHT SOURCE

Type	A60 / A19, 6,5W led, 600 lm (EU) A60 / A19, 6W led, 600 lm (USA)
Base	E27 (EU) / E26 (USA)
Wattage	max. 13W
Temperature	2700 K
Color index	RA 90+
Dimming	Dimmable with TRIAC ; on demand dimmable with DALI, RF/WIFI, for information on dimming with other systems please contact your Bomma partner.

PACKAGING

Material	Cardboard
Size	560 \times 310 \times 310 mm 22 \times 12,2 \times 12,2 inch

Origin: traditionally produced in the Czech Republic
Intellectual property license holder: Bomma Czech Republic (EU)
Represented by BMRC group s.r.o.

CERTIFICATES

