

**Instructions for Installation:**

- C-10542 Icicle Ellipse I
- C-10543 Icicle Ellipse II
- C-10544 Icicle Disk I
- C-10545 Icicle Disk II
- C-10546 Icicle Plane I
- C-10547 Icicle Plane II

**Lamping Specifications:**

- LED
- Integral driver 120-277v
- 1.2w max LED Starboards

**IMPORTANT! AT ALL TIMES WIRING TO BE DONE PER NATIONAL ELECTRIC CODES (NEC) OR APPLICABLE LOCAL CODES**

**IMPORTANT | CAUTION  
READ ALL INSTRUCTIONS THOROUGHLY.  
TURN OFF POWER AT CIRCUIT BREAKER OR FUSE BOX BEFORE PROCEEDING.**

Step 1 Carefully unpack the fixture and remove the decorative plates that contain the LED and glass housing assemblies. Place the decorative plate assemblies on a sturdy surface that is protected by a soft cloth or blanket to prevent damage to the housings or glass accents.

**IMPORTANT: DO NOT RELY** solely on the junction box to support the weight of this fixture. Fixture must be mounted to a structural member such as a ceiling stud/timber or similar structure with adequate hardware that can adequately support the weight of the fixture.

Step 2 Turn off power at the circuit before proceeding. Carefully lift the ceiling plate assembly up and mark the additional locations where the fixture will be secured to the ceiling. If necessary remove the ceiling plate assembly and install anchors or other hardware in the ceiling that will appropriately support the fixture's weight.

Step 3 Secure fixture assembly to the ceiling. Make sure that any structural modification for installation meet or exceed local and state building codes.

Step 4 Make wire connections between the fixture and the outlet box: connect black fixture wire to black supply wire (load typical); white fixture wire to white supply wire (neutral); attach fixture ground wire to ground wire or ground screw. Use wire connectors provided and push connections inside outlet box.

Note: This light fixture features a driver that can be dimmed using a 0-10v dimming control and an Analog (PWM) dimming technology. The purple wire is dimming control positive and the gray wire is dimming control negative.

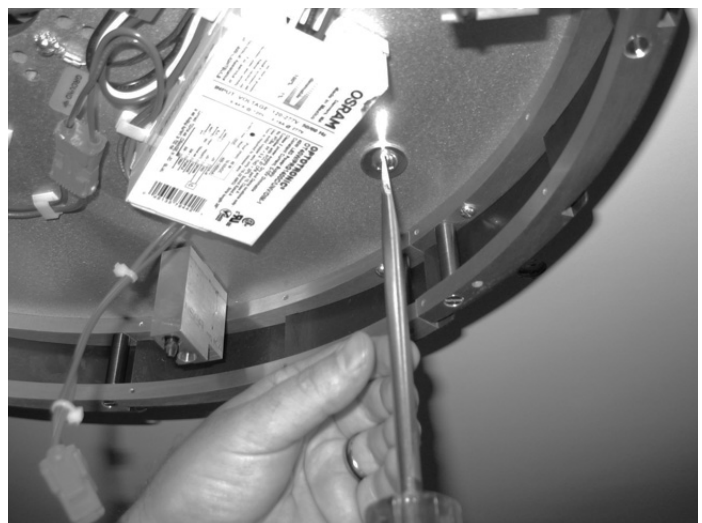
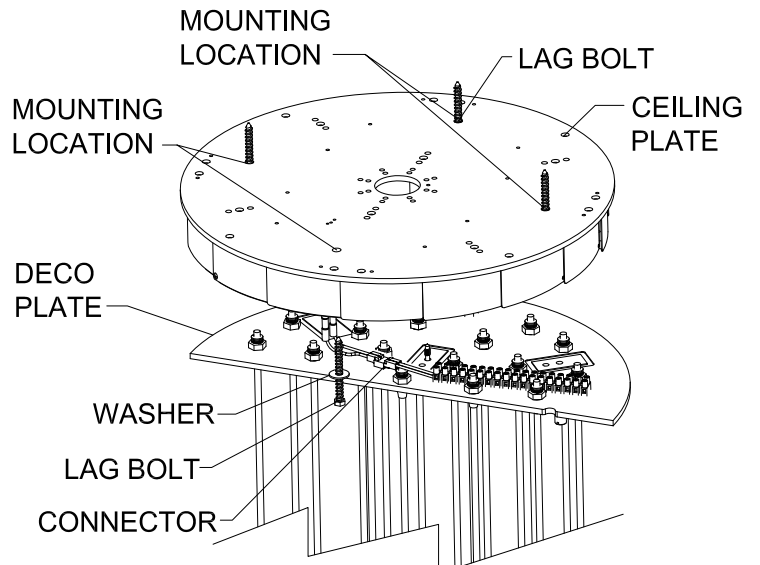


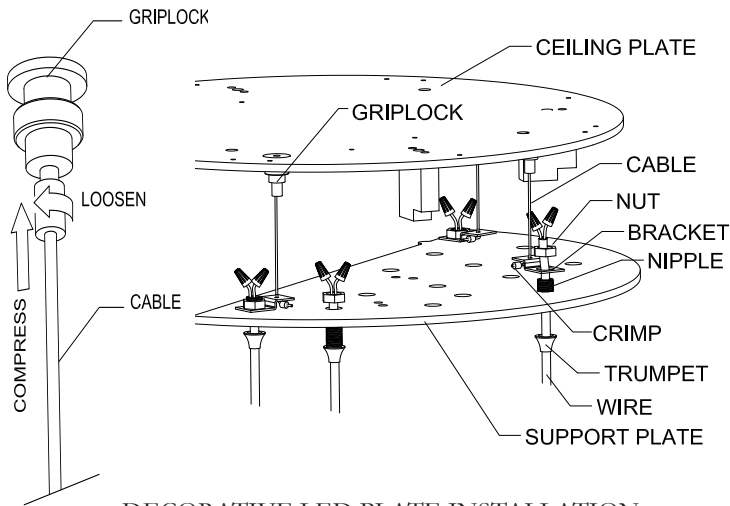
Figure 1

# BOYD

## DECORATIVE LED ASSEMBLY PLATE INSTALL

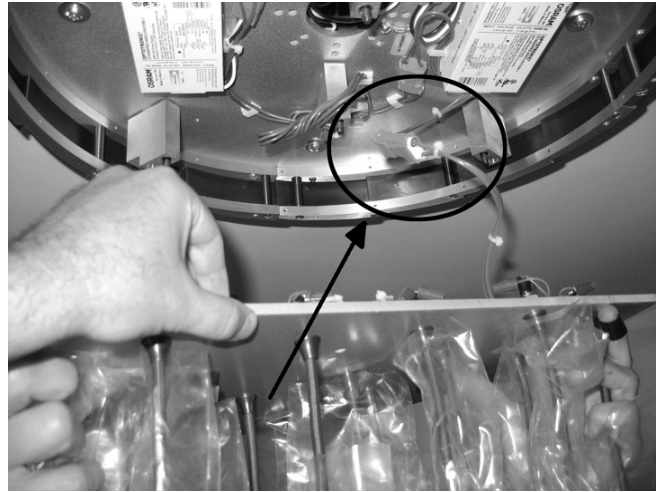
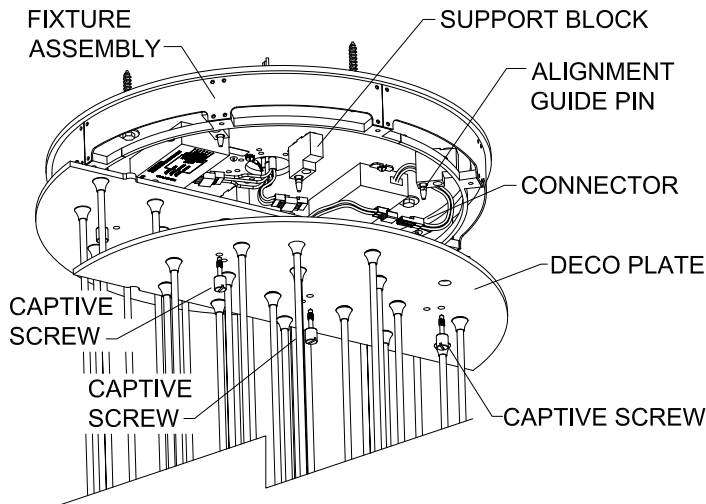
Each of the decorative LED strand plates are equipped with suspension cables. These cable assemblies are provided so that the LED plate assemblies can be suspended allowing for wire connections to be made at the junction box and between the power supplies and the LED down lights.

This fixture is quipped with a mechanical Griplock. The cable is routed through the center of the Griplock and is held into position by the mechanical features of the Griplock. Carefully loosen the cap by turning counter-clock wise and then compress the cap assembly. Insert the cable into the end of the Griplock and then adjust for length. Release the compression on the cap and tighten the cap by turning it clockwise. Pull on the cable and ensure that the cable is properly installed and locked into position.



DECORATIVE LED PLATE INSTALLATION

Step 1 Carefully raise the decorative plate and LED assembly up towards the fixture. Thread the suspension cables into the Griplocks and securely fasten. Allow the decorative plate to suspend and prepare to make wire connections.



Step 2 Make the connections between the low voltage output side of the driver and the wires that supply power to the suspended LED's.

Step 3 Raise and install the decorative plate. The decorative plate features holes that will align with the guide pins in the support blocks on the fixture assembly. Ensure that the suspension cables are tucked out of the way and do not interfere with mounting hardware or wiring connections.

Step 4 Align the holes in the decorative plates with the guide pins in the support blocks that reside in the fixture assembly. Secure the plate into position using the captive screws.

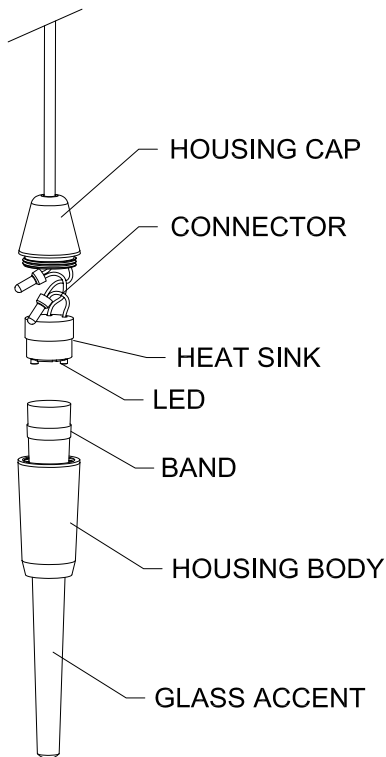


## GLASS ACCENT INSTALLATION AND REPLACEMENT

To install or replace the decorative glass accent it will be necessary to dis-assemble the led housing assembly. To remove the housing body grasp the housing cap and turn the housing body in a counter clock-wise direction. Once loose the housing body can then be removed from the housing cap.

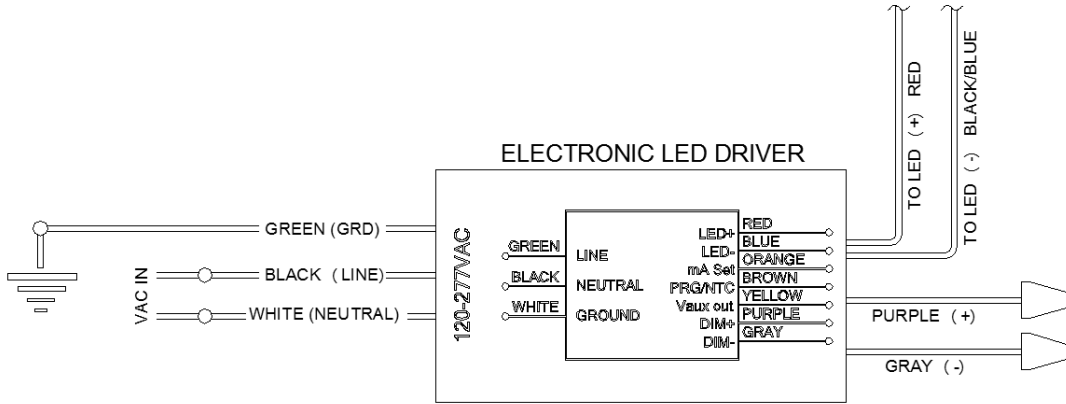
Step 1 Install the silicone band towards the top of the glass accent. This will ensure a snug fit and reduce rattle or movement of the glass accent once the housing is assembled

Step 2 Use care when removing or installing the lower housing body as the LED and heat sink are held in place by the housing body and when removed the LED and heat sink will hang by the wires. Use care not to damage the wire insulation or connections when installing or replacing glass accent.



# BOYD

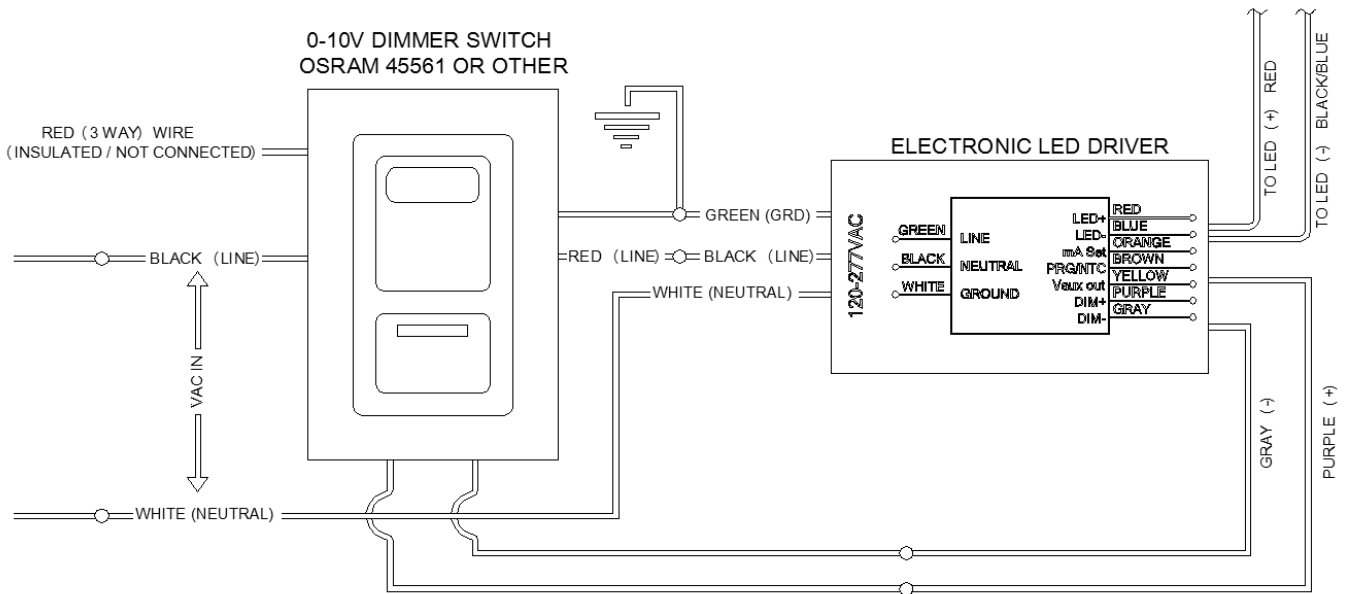
Note: This fixture is wired for a 0-10V low voltage dimming option. If dimming is not required, wire the fixture per figure 1. For the dimming option, wire the fixture per figure 2.



**NON-DIMMING WIRING DIAGRAM**  
(NOT CONNECTED TO DIMMER SWITCH)

PURPLE (+) AND GRAY (-) CONTROL WIRES  
ARE FOR 0-10V LOW VOLTAGE DIMMING OPTION:  
- DO NOT CONNECT TO LINE VOLTAGE  
- IF NOT USED, LEAVE CAPPED

**FIGURE 1**



**0-10V DIMMING WIRING DIAGRAM**  
(CONNECTED TO DIMMER SWITCH)

**Boyd Lighting Client Services**  
1455 Vapor Trail  
Colorado Springs, CO 80916  
Tel: +1.719.314.3850

**FIGURE 2**