

Instructions for Installation:
E-10493 Mirage Sconce

E-10494 Mirage ADA

Lamping Specifications:
120-277v input AC
Integrated LED illumination

IMPORTANT! AT ALL TIMES WIRING TO BE DONE PER NATIONAL ELECTRIC CODES (NEC) OR APPLICABLE LOCAL CODES

**IMPORTANT | CAUTION
READ ALL INSTRUCTIONS THOROUGHLY.
TURN OFF POWER AT CIRCUIT BREAKER OR FUSE BOX BEFORE PROCEEDING.**

Step 1 Carefully unpack fixture and remove decorative housing from mounting plate. To remove housing, locate and remove the lower screw and the decorative knobs from the top of the housing and separate decorative housing from mounting plate.

Step 2 Turn off power at the circuit before proceeding. Install the mounting plate into position over the junction box. Secure mounting plate to the outlet box using screws provided. (See Figure 1)

Step 3 Locate the decorative fixture housing and route the wires through the outlet cover plate and prepare to make connections. (See Figures 2 and 3)

Step 4 Make wire connections: connect black fixture wire to black supply wire (load typical); white fixture wire to white supply wire (neutral); attach fixture ground wire to ground wire or ground screw. Use wire connectors provided and push connections inside outlet box. Secure the outlet cover plate into position with thumb screws.

***Note: This lighting fixture uses LED technology and if wired for dimming requires a lighting control dimmer that is designed for electronic low voltage devices (0-10v)

Step 5 Install decorative housing. Align the threaded studs at the top of the mounting plate with the holes in the top of the housing back pan. Tilt the housing down and over the mounting plate. (See Figure 3)

Step 6 Secure the decorative housing into place with decorative knobs at the top and a set screw located at the bottom. (See Figure 4)

Note: This fixture can be installed indoors our outdoors. For outdoor applications apply a thin bead of waterproof caulking to backplate along the sides and top edge to create a water tight barrier between the wall and backplate. Leave a small gap at the bottom of the back plate (approx 1/2") so that water and moisture can be diverted away from backplate and electrical components. (See Figure 5)

Step 7 Restore power to circuit and illuminate fixture.

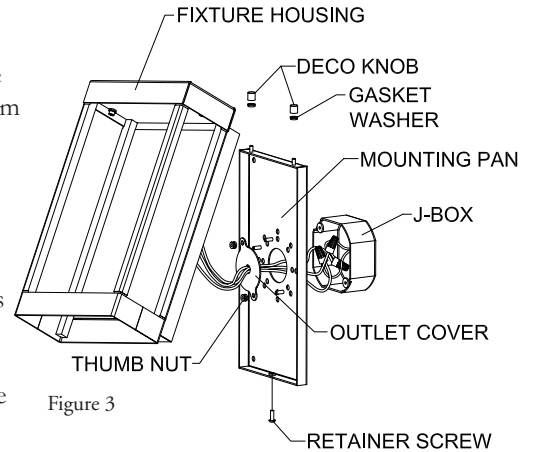


Figure 3



Figure 1



Figure 2



Figure 4



Figure 5