

**Instructions for Installation:**  
Poggi Custom Sconce

**Lamping Specifications:**

- LED  
Integral driver 120-277v

Lutron 2-wire dimming

**IMPORTANT! AT ALL TIMES WIRING TO BE DONE PER NATIONAL ELECTRIC CODES (NEC) OR APPLICABLE LOCAL CODES**

**IMPORTANT | CAUTION  
READ ALL INSTRUCTIONS THOROUGHLY.  
TURN OFF POWER AT CIRCUIT BREAKER OR FUSE BOX BEFORE PROCEEDING.**

Step 1 Carefully unpack the fixture and remove the decorative knobs that retain the universal mounting pan into the fixture housing. Place the diffuser cylinders in a location where they will not become damaged during fixture installation.

Step 2 Turn off power at the circuit before proceeding. Attach the mounting plate over the outlet box in a vertical position.

Step 3 Make wire connections between the fixture and the outlet box: connect black fixture wire to black supply wire (load typical); white fixture wire to white supply wire (neutral); attach fixture ground wire to ground wire or ground screw. Use wire connectors provided and push connections inside outlet box.

Step 4 Attach the fixture housing to the mounting plate and secure against the wall with the decorative knobs. Use care not to pinch or damage the insulation on the wires during installation.

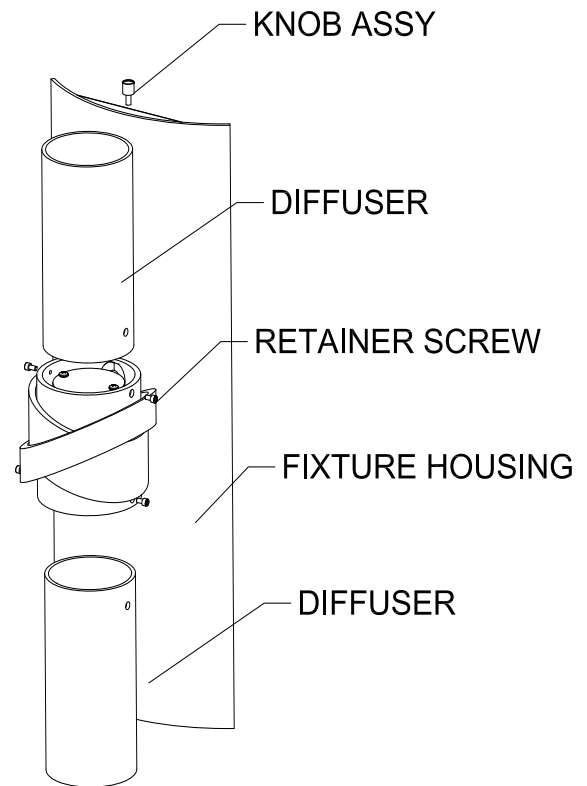


Figure 2

### DIFFUSER ACCENT INSTALLATION

Step 1 Prepare to install the diffusers in the fixture body. Make sure that the diffusers are handled with clean hands as the etched acrylic will display any smudges or marks if handled improperly.

Step 2 Install the upper diffuser cylinder into the housing body and secure into position with the cap head screws.

Step 3 Install the lower diffuser cylinder into the housing body and secure into position with the cap head screws.

Step 4 Restore power to circuit and illuminate light fixture.

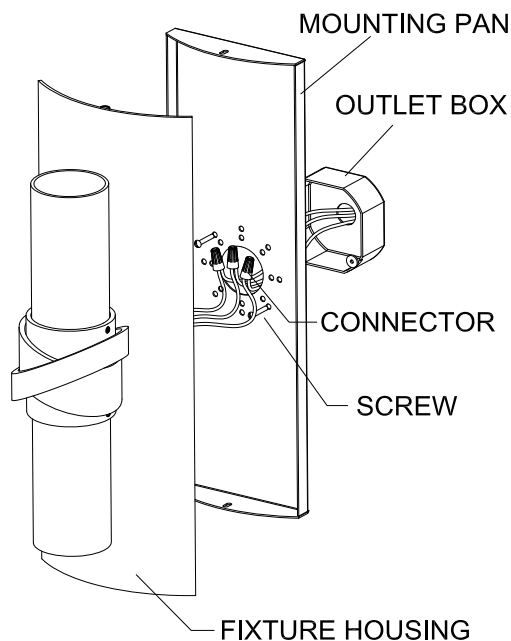


Figure 1