

Instructions for installation

- C-10691-3-3 Totem Round Pendant
- C-10691-3-5 Totem Round Pendant
- C-10691-3-7 Totem Round Pendant
- C-10691-5-3 Totem Round Pendant
- C-10691-5-5 Totem Round Pendant
- C-10691-5-7 Totem Round Pendant

IMPORTANT! AT ALL TIMES WIRING TO BE DONE PER NATIONAL ELECTRIC CODES (NEC) OR APPLICABLE LOCAL CODES

**IMPORTANT | CAUTION
READ ALL INSTRUCTIONS THOROUGHLY.
TURN OFF POWER AT CIRCUIT BREAKER OR FUSE BOX BEFORE PROCEEDING.**

Step 1 Carefully unpack the fixture and place on a sturdy surface that is protected by a soft cloth or blanket to prevent damage to the fixture or stem and LED assembly.

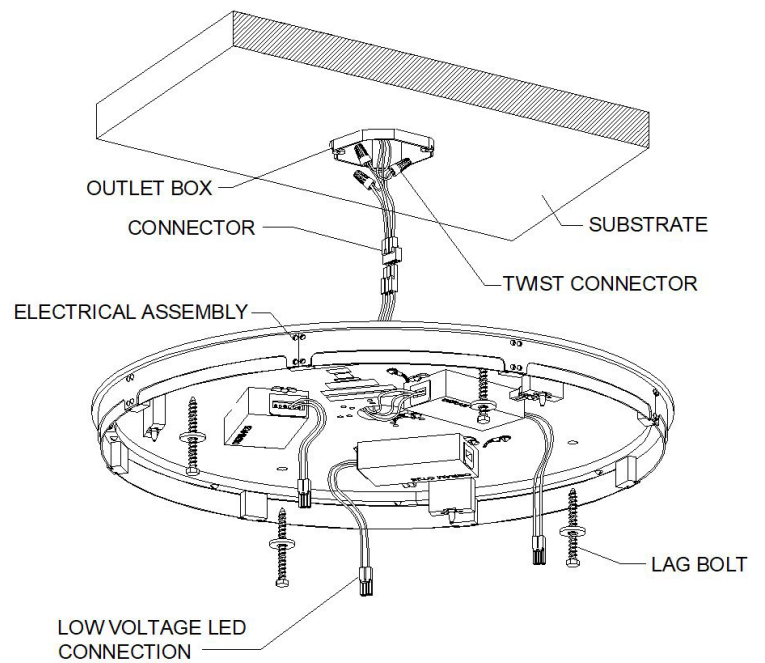
IMPORTANT: DO NOT RELY solely on the junction box to support the weight of this fixture. Fixture must be mounted to a structural member such as a ceiling stud/timber or similar structure with hardware that can adequately support the weight of the fixture.

Step 2 Turn off power at the circuit before proceeding. Carefully lift the ceiling plate assembly up and mark the additional locations where the fixture will be secured to the ceiling. If necessary remove the ceiling plate assembly and install anchors or other hardware in the ceiling that will appropriately support the fixture's weight.

Step 3 Secure fixture assembly to the ceiling. Make sure that any structural modification for installation meet or exceed local and state building codes.

Step 4 Make wire connections between the drivers AC input located in the fixture and the supply wires at the outlet box: connect black fixture wire to black supply wire (load typical); white fixture wire to white supply wire (neutral); attach fixture ground wire to ground wire or ground screw. Use wire connectors provided and push connections inside outlet box.

Note: This light fixture features a driver that can be dimmed using a 0-10v dimming control and an Analog (PWM) dimming technology. The purple wire should be connected to the dimming control positive and the gray wire should be connected to the dimming control negative.

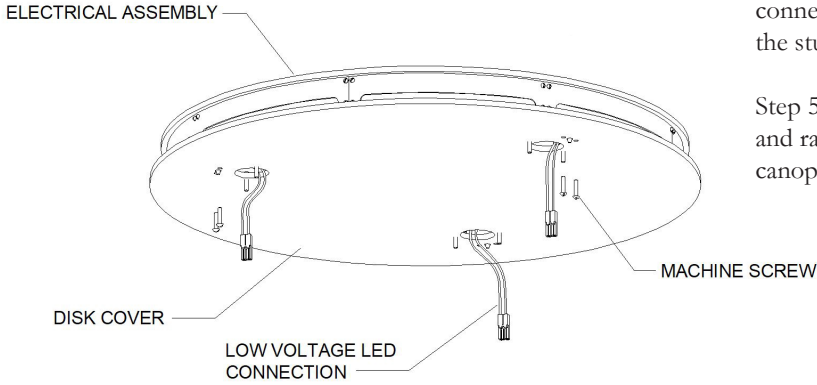


BOYD

Step 3 Raise and install the fixture shade assembly. Make wire connections between the ceiling assembly and the shade assemblies.

Step 4 Raise the fixture shade assembly upwards and tuck the wire connections into the ceiling assembly. Align the fixture disk with the studs in the support disk.

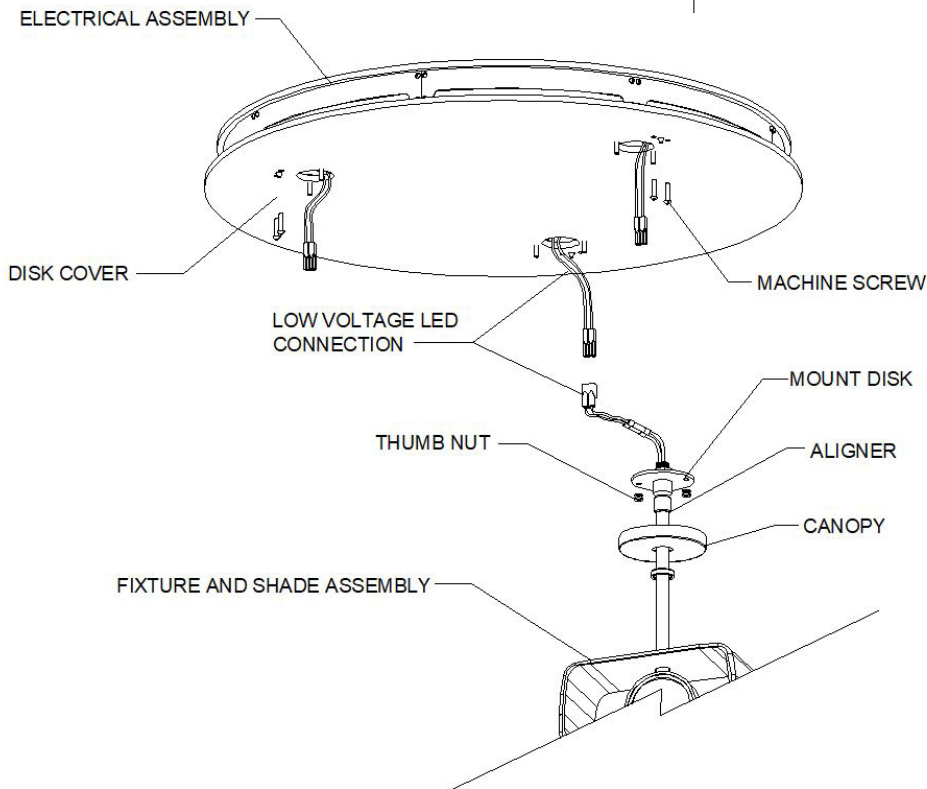
Step 5 Secure the shade assembly into position with thumb nuts and raise the canopy up towards the support disk. Secure the canopy against the support disk with aligner ring.



INSTALL THE SUPPORT DISK

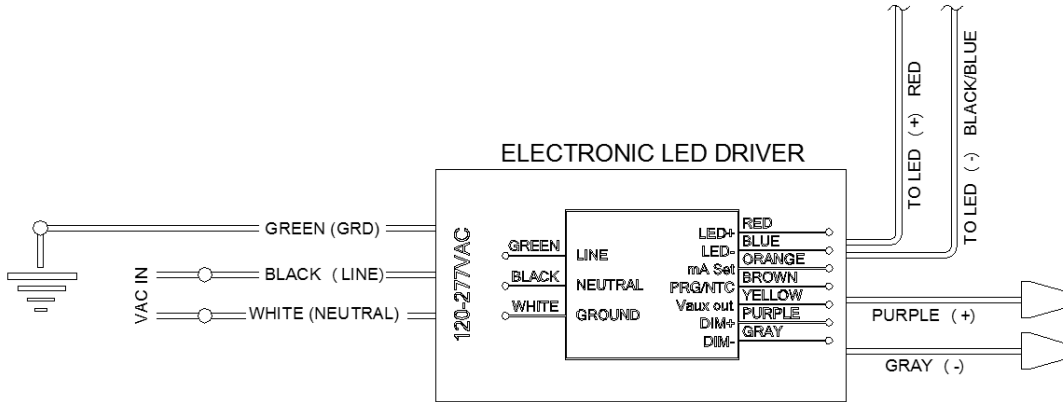
Step 1 Raise and install the support disk. Route the low voltage wire and connector assemblies through the center holes on the support disk. The support disk features holes that will align with the guide pins in the support blocks on the ceiling fixture assembly.

Step 2 Align the holes in the support disk with the guide pins in the support blocks that reside in the fixture assembly. Secure the plate into position using the machine screws.



BOYD

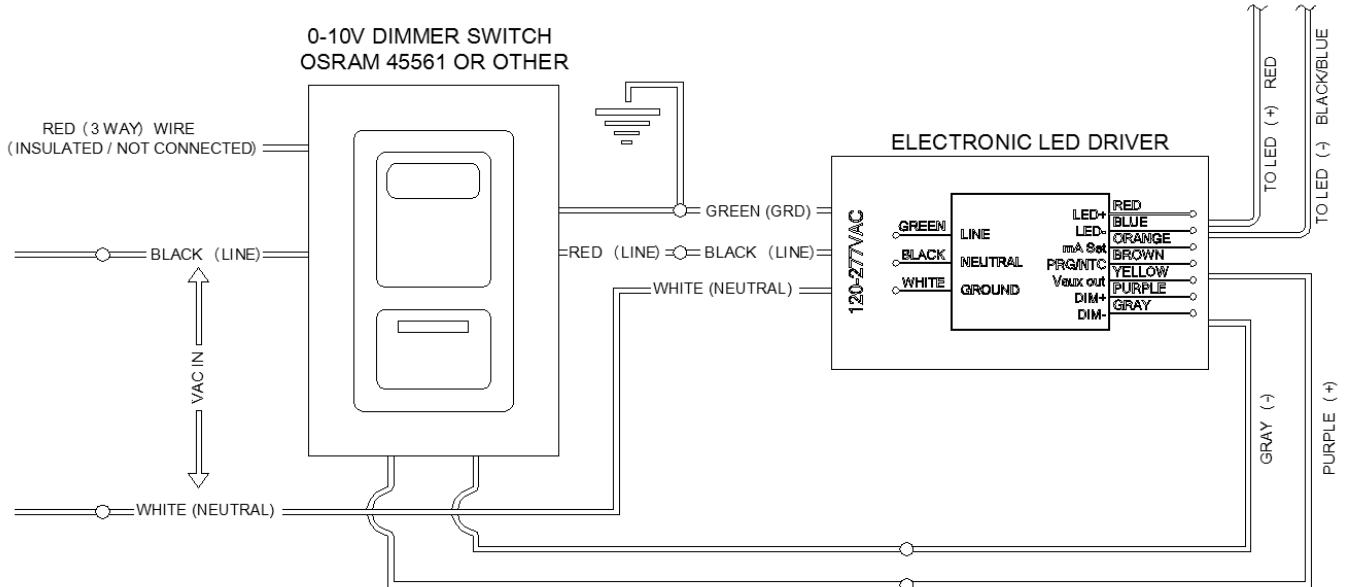
Note: This fixture is wired for a 0-10V low voltage dimming option. If dimming is not required, wire the fixture per figure 1. For the dimming option, wire the fixture per figure 2.



NON-DIMMING WIRING DIAGRAM
(NOT CONNECTED TO DIMMER SWITCH)

PURPLE (+) AND GRAY (-) CONTROL WIRES
ARE FOR 0-10V LOW VOLTAGE DIMMING OPTION:
- DO NOT CONNECT TO LINE VOLTAGE
- IF NOT USED, LEAVE CAPPED

FIGURE 1



0-10V DIMMING WIRING DIAGRAM
(CONNECTED TO DIMMER SWITCH)

Boyd Lighting Client Services
1455 Vapor Trail
Colorado Springs, CO 80916
Tel: +1.719.314.3850

FIGURE 2