



CABANA

901836FBN-NWA

CABANA 36" FAN

| DETAILS | |
|-------------|----------------|
| FAN FINISH: | Brushed Nickel |

| DIMENSIONS | |
|------------|-------|
| WIDTH: | 36" |
| HEIGHT: | 12.5" |

| LIGHT SOURCE | |
|--------------|------|
| VOLTAGE: | 120v |

| MOUNTING | |
|------------|---------|
| CANOPY: | 6" Dia. |
| LEAD WIRE: | 76" |

Part of the Regency Series, the traditional Cabana is a seamless way to enhance the comfort level and enjoyment of any room. Available in Appliance White, Metallic Matte Bronze, Matte Black and Brushed Nickel finish options, it complements spaces of all styles. Cabana achieves powerful air movement and is so versatile it can be used both indoors and outdoors. Blades are included with every fan.

PRODUCT DETAILS:

- This item includes a 4.5" down rod. Various lengths are available to customize the installation height.
- Suitable for use in wet (interior direct splash and outdoor direct rain or sprinkler) locations as defined by NEC and CEC. Meets United States UL Underwriters Laboratories.
- This item may be hung on a sloped ceiling
- Pull chain manual reverse, accessory controls available
- Add a functional light kit to customize the look of the fan
- The Regency Series features a range of traditional ceiling fans designed to enhance a wide variety of spaces with ease.
- Fan mounts directly to canopy or with an included downrod for dual mount capability
- Motor carries a lifetime warranty

HINKLEY

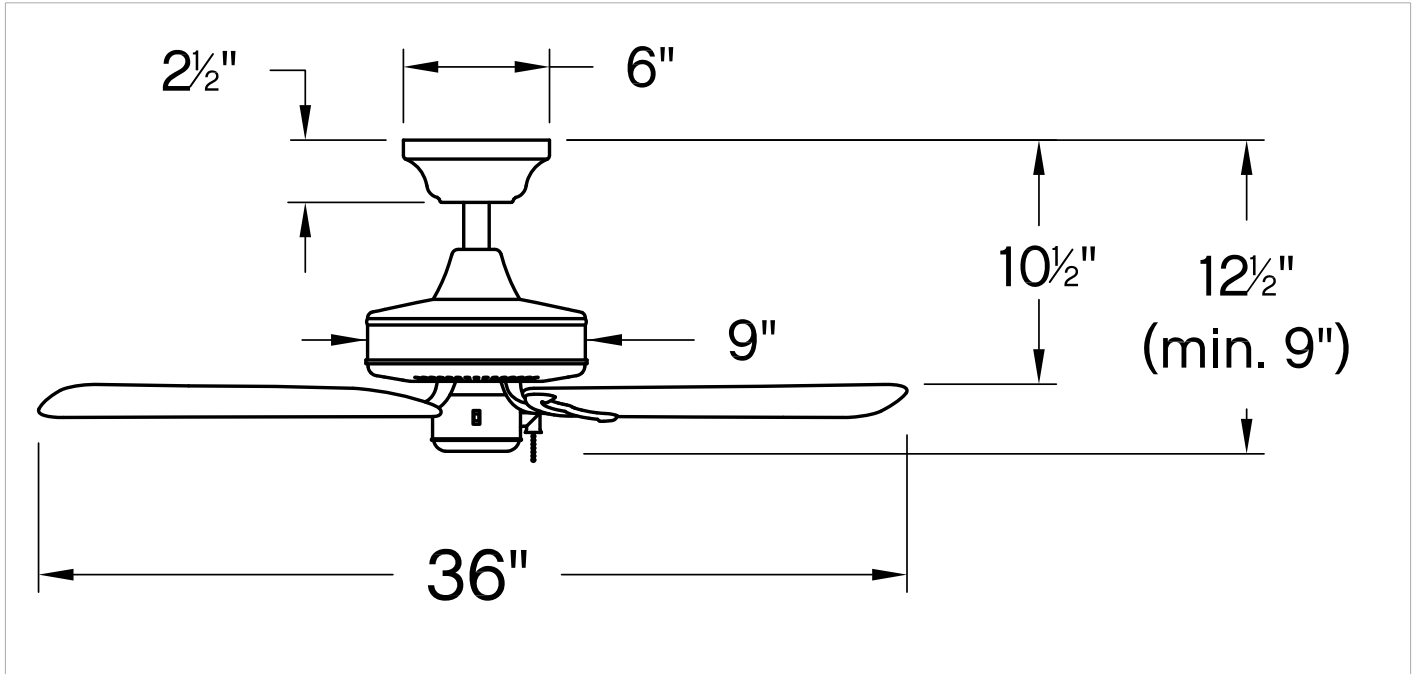
HINKLEY
33000 Pin Oak Parkway
Avon Lake, OH 44012

PHONE: (440) 653-5500
Toll Free: 1 (800) 446-5539

hinkley.com

CABANA 36" FAN

901836FBN-NWA



| PERFORMANCE SPECIFICATIONS | STANDARD | | DUAL MOUNT | |
|----------------------------|------------|---------------|------------|---------------|
| | HIGH SPEED | AVERAGE SPEED | HIGH SPEED | AVERAGE SPEED |
| Airflow | 3101 | 2566 | 2947 | 2947 |
| EnergyUse | 37.6 | 26.8 | 37.7 | 26.4 |
| EnergyCost | 11 | 8 | 11 | 7 |
| Efficiency | 82 | 96 | 78 | 92 |
| AMPS | 0.32 | 0.26 | 0.32 | 0.26 |
| RPMS | 242 | 193 | 242 | 193 |

AVERAGE PERFORMANCE AND ENERGY INFORMATION

ENERGYGUIDE

Estimated
Yearly Energy Cost
\$8

Cost Range of Similar Models (19" – 84")
\$3 | | | \$34

- Based on 12 cents per kWh and 6.4 hours use per day
- Your cost depends on rates and use
- Energy Use: 26.8 Watts

Airflow
2,566
Cubic Feet Per Minute

- The higher the airflow, the more air the fan will move
- Airflow Efficiency: 96 Cubic Feet Per Minute Per Watt

All estimates based on typical use, excluding lights ftc.gov/energy

Airflow Shown Is a Weighted Average of High and Low Cubic Feet per Minute Based on Downrod

HINKLEY

HINKLEY
33000 Pin Oak Parkway
Avon Lake, OH 44012

PHONE: (440) 653-5500
Toll Free: 1 (800) 446-5539

hinkley.com