

# Veram 18/24 Pendant

## Installation Instructions

cerno®

### General Product Information

This product is suitable for indoor dry and damp locations only.

This product is to be installed to a standard 4" junction box with 3" round plaster ring or an octagon junction box.

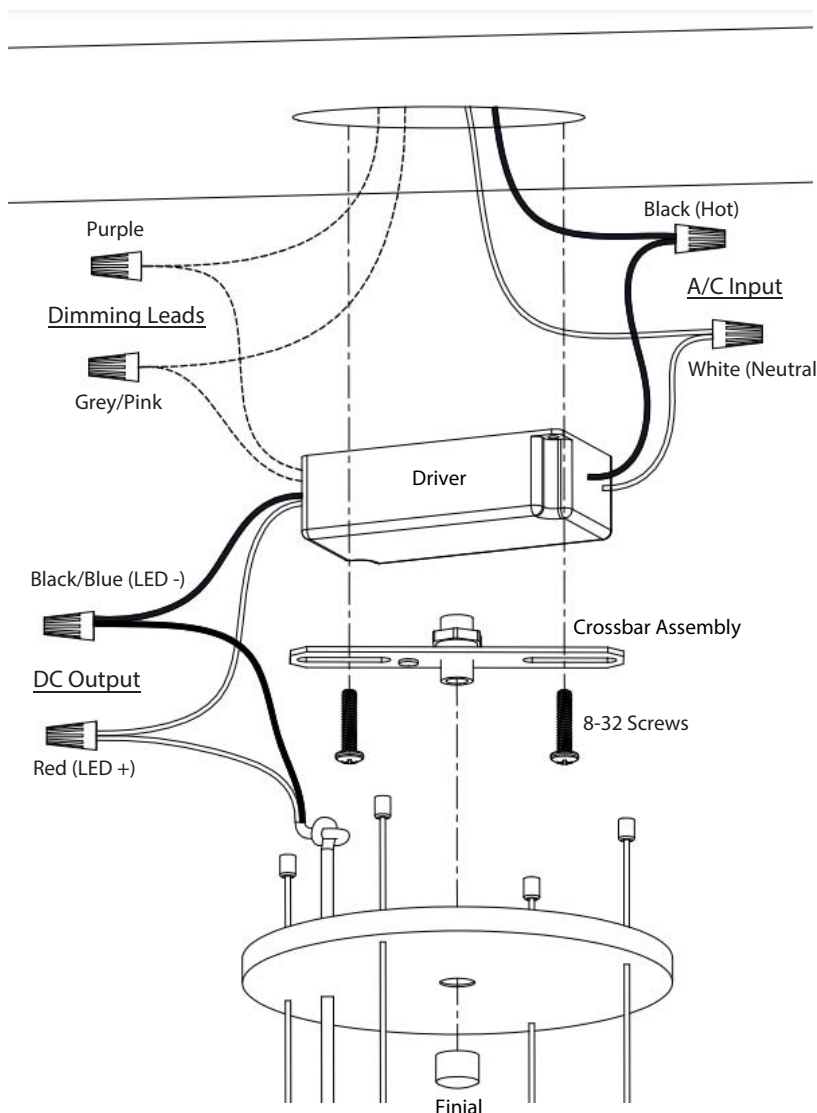
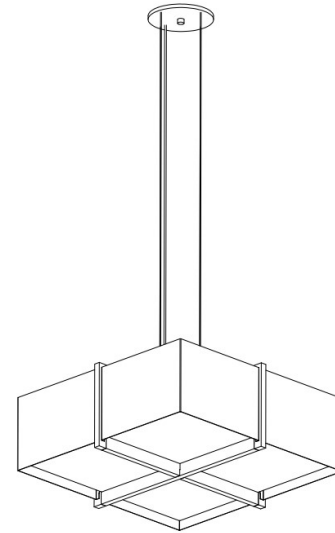
Bulb and Dimmability Notes:

Fixture can be dimmed with TRIAC, ELV, or 0-10V dimming at 120VAC input. For 240 or 277 VAC input, fixture is only dimmable with 0-10V dimming. Wiring details are outlined on third page on instructions.



### CAUTION - RISK OF FIRE

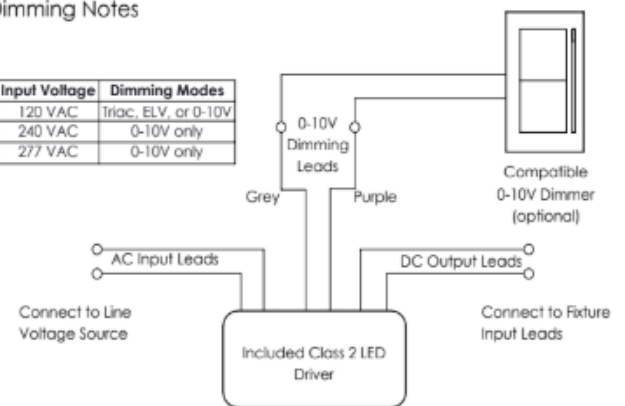
This product requires installation by a qualified electrician. Before installing be sure to read all instructions and **TURN POWER OFF TO THE JUNCTION BOX**



- 1 Pull line voltage wires out of the junction box. Make connections between fixture leads and line voltage wires.
  - 2 **CRITICAL NOTE:** If 0-10V dimming control is to be used, connect purple and gray driver leads to 0-10V dimmer. Otherwise, the tinned ends of these leads should be snipped off and the leads should be capped individually such that they remain isolated from one another.
- Once all connections have been made, push all excess wire and connections into the junction box.
- 3 Fasten the crossbar assembly to the junction box using the included #8-32 x 0.750" machine screws.
  - 4 Once the Canopy is secured, tighten the finial onto the pipe nipple on the crossbar assembly.

### Dimming Notes

Input Voltage	Dimming Modes
120 VAC	Triac, ELV, or 0-10V
240 VAC	0-10V only
277 VAC	0-10V only



## Installing the Shade

- 5 Slide the shade onto the ceiling assembly at an angle so that the hooks go above the polymer diffuser.
- 6 Rotate the shade so that all four hooks fall into the four holes in the polymer diffuser.

