

# Plura 18/24 Pendant

## Installation Instructions

cerno®

### General Product Information

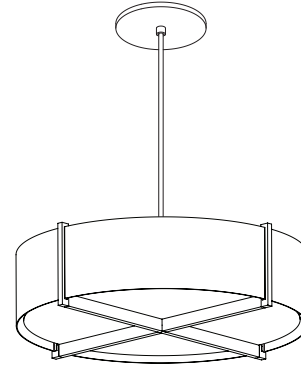
This product is suitable for indoor dry and damp locations only.

This product is to be installed to a standard 4" junction box with 3" round plaster ring or an octagon junction box.

#### Bulb and Dimmability Notes:

**GU-24 Version:** The ability to dim the fixture will depend on the type of bulb selected. The GU-24 version of this fixture accepts GU-24 based lamps (not included). Ensure that the lamps do not exceed the maximum rated wattage listed on socket.

**LED Version:** Fixture can be dimmed with TRIAC, ELV, or 0-10V dimming at 120VAC input. For 240 or 277 VAC input, fixture is only dimmable with 0-10V dimming. Wiring details are outlined on third page on instructions.



### CAUTION - RISK OF FIRE

This product requires installation by a qualified electrician. Before installing be sure to read all instructions and **TURN POWER OFF TO THE JUNCTION BOX**

## GU-24 Model Only

### Adjusting the Fixture Height

- 1 Measure the desired height (H) that you want the fixture to hang below the ceiling.
- 2 Thread the cable through the thumb nut, canopy, crossbar assembly and cord grip.
- 3 Tighten cord grip onto cable at desired height (H) using a small flathead screw driver. As an added safety measure, tie a knot in the cable above the cord grip.

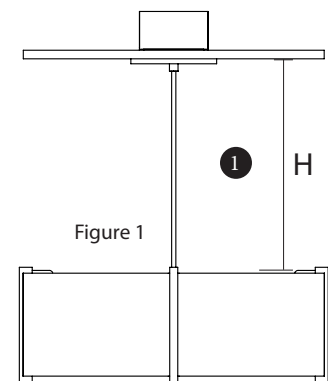


Figure 1

### Making Electrical Connections

- 4 Make electrical connections as shown in figure 2 using the supplied wire nuts.

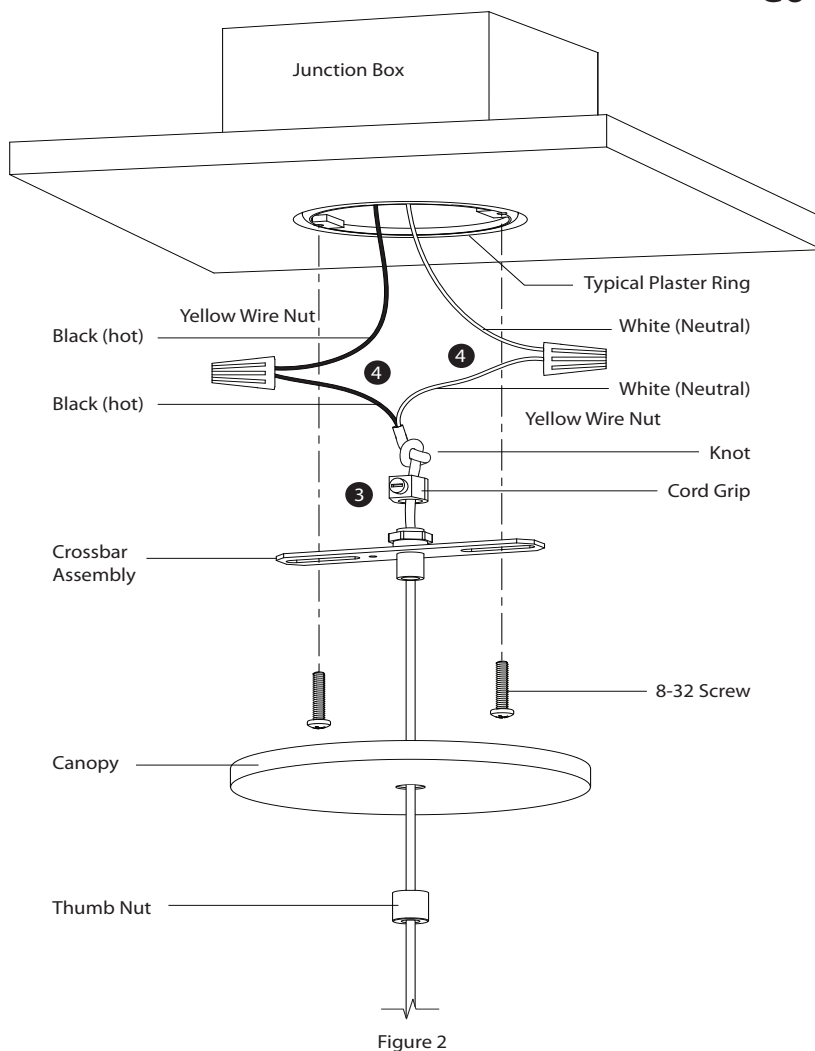


Figure 2

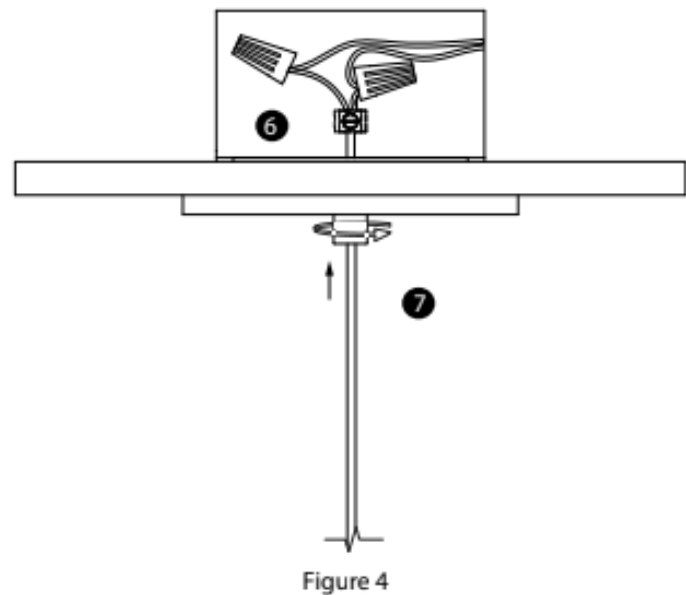
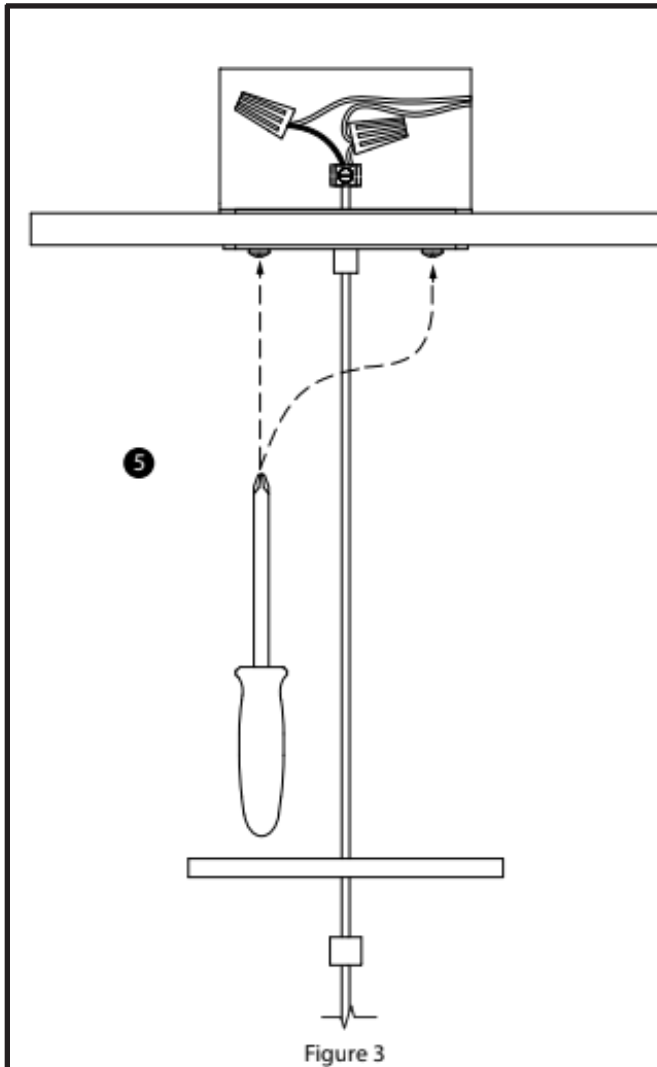
### GU-24 Model Only

#### Mounting the Fixture

- 5 Attach the crossbar assembly to the junction box using the supplied 8-32 screws.

#### Securing the Canopy

- 6 After electrical connections have been made, place wire connections and excess wire into the junction box.
- 7 Slide the canopy up the cable and secure it by screwing the thumb nut onto the crossbar assembly.



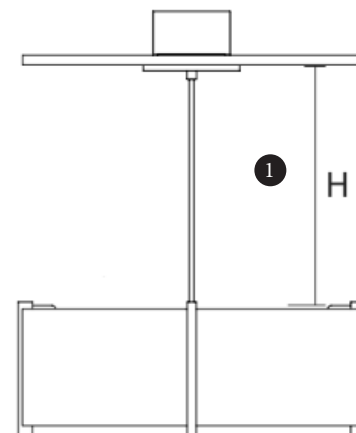
- 8 Install GU-24 bulbs (not included) into fixture sockets.

### LED Model Only

#### Installing the Canopy

- 1 Measure the desired height (H) that you want the fixture to hang below the ceiling.
- 2 Thread the cable through the thumb nut, canopy, crossbar assembly and cord grip.
- 3 Tighten cord grip onto cable at desired height (H) using a small flathead screw driver. As an added safety measure, tie a knot in the cable above the cord grip.

Note: See figure 6 for steps 2-3



LED Model Only

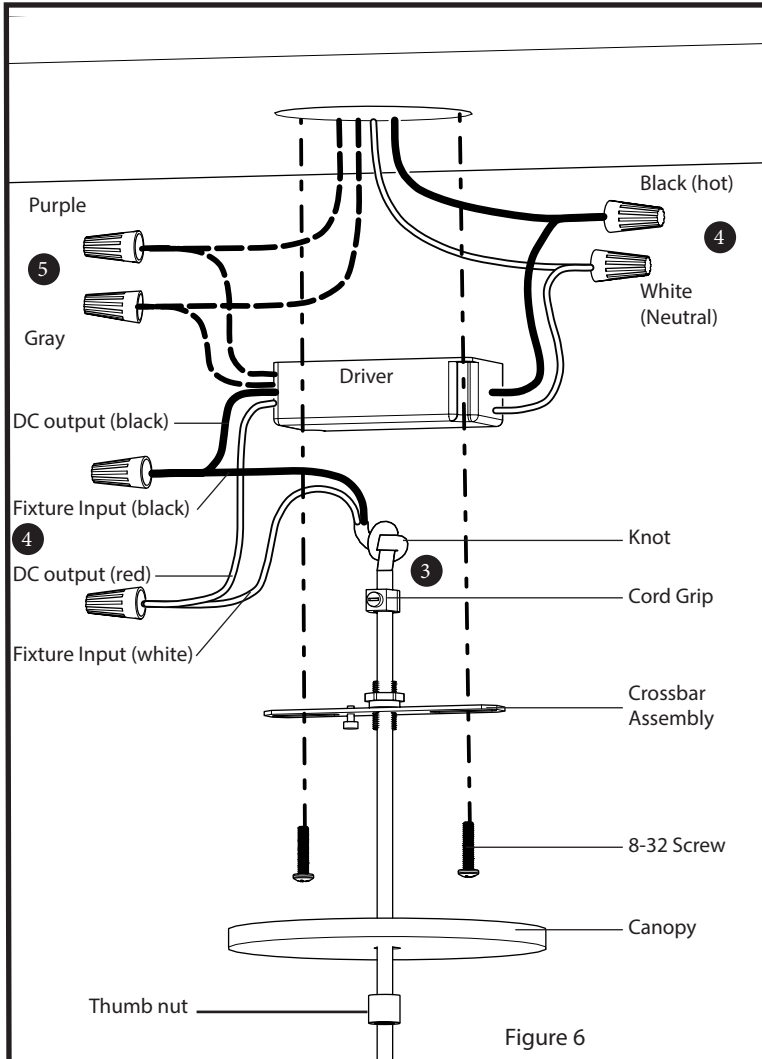


Figure 6

4 Pull line voltage wires out of the junction box. Make connections between fixture leads and line voltage wires.

5 CRITICAL NOTE: If 0-10V dimming control is to be used, connect purple and gray driver leads to 0-10V dimmer. Otherwise, the tinned ends of these leads should be snipped off and the leads should be capped individually such that they remain isolated from one another.

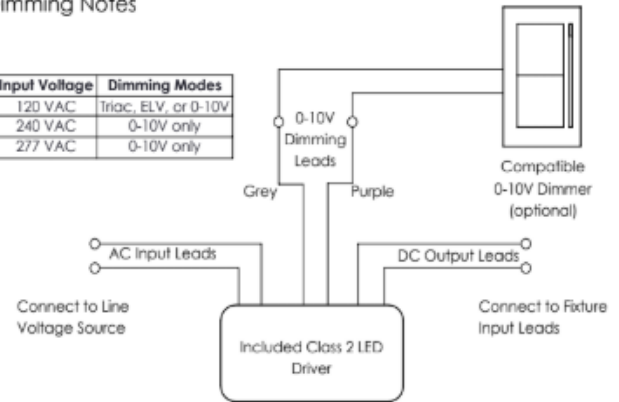
Once all connections have been made, push all excess wire and connections into the junction box.

6 Fasten the crossbar assembly to the junction box using the included #8-32 x 0.750" machine screws.

7 Once the Canopy is secured, tighten the thumb nut onto the pipe nipple on the crossbar assembly.

Dimming Notes

Input Voltage	Dimming Modes
120 VAC	Triac, ELV, or 0-10V
240 VAC	0-10V only
277 VAC	0-10V only



All Models

1 Slide the shade onto the Ceiling Assembly at an angle so that the hooks go above the polymer diffuser.

2 Rotate the shade so that all four hooks fall into the four holes in the polymer diffuser.

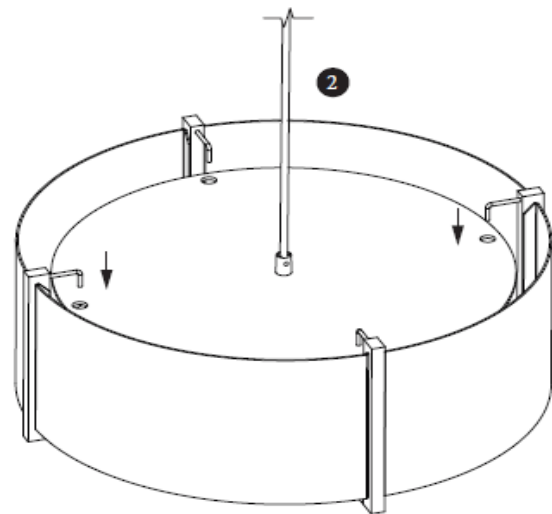
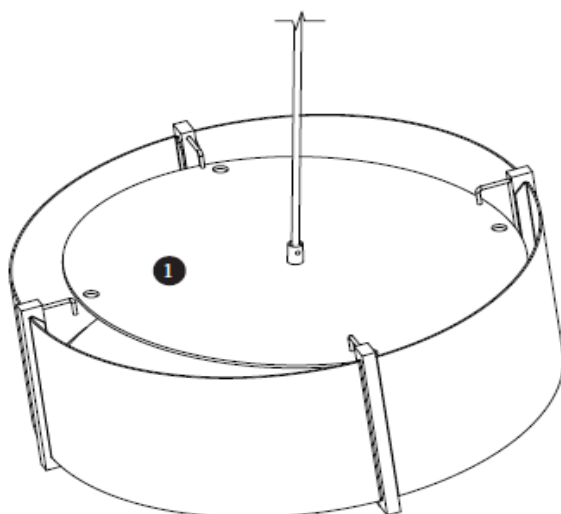



Figure 7

General Product information 

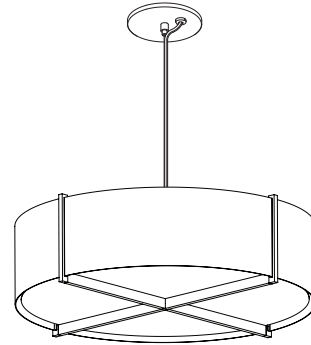
This product is suitable for indoor dry and damp locations only.

This product is to be installed to a 4" square junction box with a 3" round plaster ring or an octagon junction box.

Bulb and Dimmability Notes:

GU-24 Version: The ability to dim the fixture will depend on the type of bulb selected. The GU-24 version of this fixture accepts GU-24 based lamps (not included). Ensure that the lamps do not exceed the maximum rated wattage listed on socket.

LED Version: Fixture can be dimmed with TRIAC, ELV, or 0-10V dimming at 120VAC input. For 240 or 277VAC input, fixture is only dimmable with 0-10V dimming. Wiring details are outlined on second page of instructions.



**CAUTION - RISK OF FIRE**



This product requires installation by a qualified electrician. Before installing be sure to read all instructions and **TURN POWER OFF TO THE JUNCTION BOX**

**GU-24 Model Only**

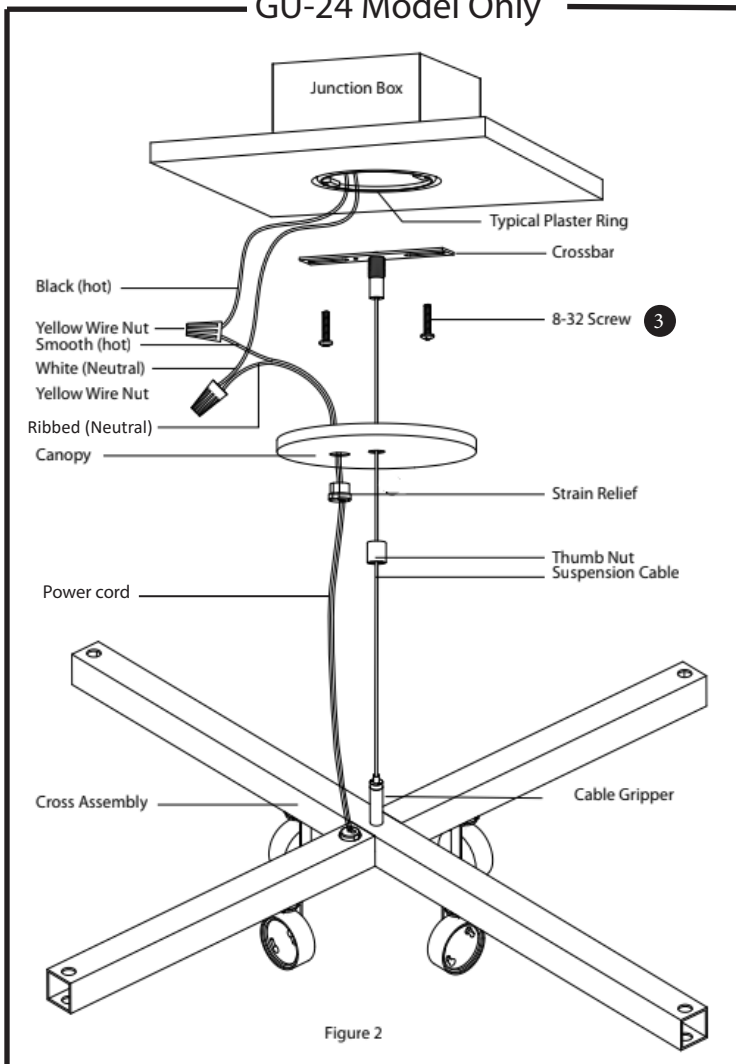


Figure 2

**All Models**

**Fasten Crossbar to Ceiling**

- 1 Place the shiny side of the top diffuser over the cross assembly. Thread the suspension cable through the canopy and thumb nut.
- 2 Push the end of the suspension cable into the Cable Gripper on top of the fixture Cross Assembly. The cable will exit out the side hole of the Cable Gripper. Pull cable until desired drop length H (figure 1) is achieved.

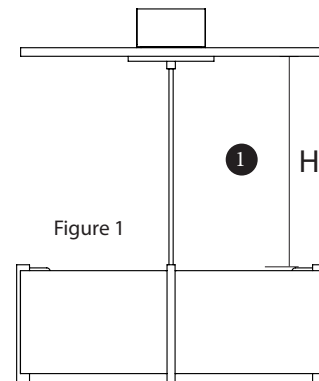
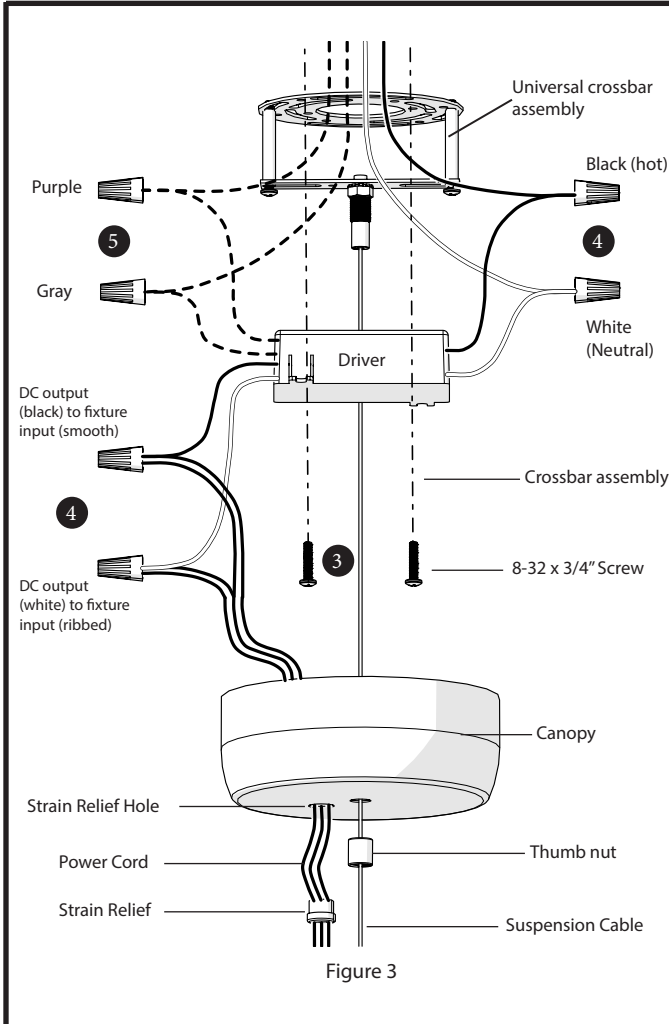


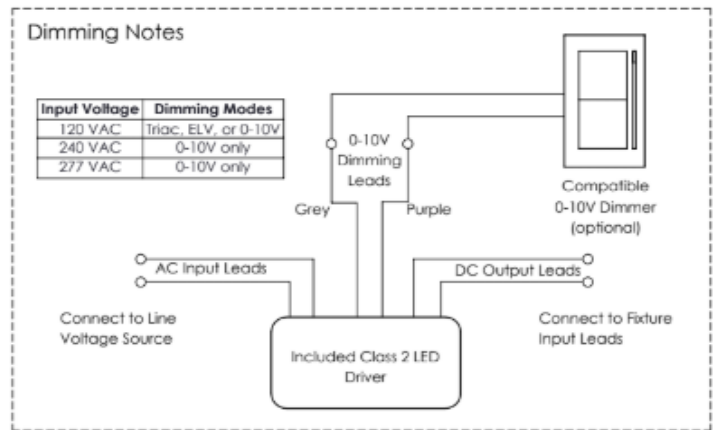
Figure 1

- 3 Fasten the Crossbar to the junction box using the included #8-32 machine screws.
- 4 Feed power cord from the fixture through the top diffuser and then through the strain relief hole in the canopy.
- 5 Make electrical connections as shown in figure 2 using the supplied wire nuts. One power lead should be smooth and the other should be ribbed. Connect the smooth conductor to the hot line and the ribbed conductor to the neutral line.
- 6 After electrical connections have been made, place wire connections and excess wire into the junction box.

LED Model Only



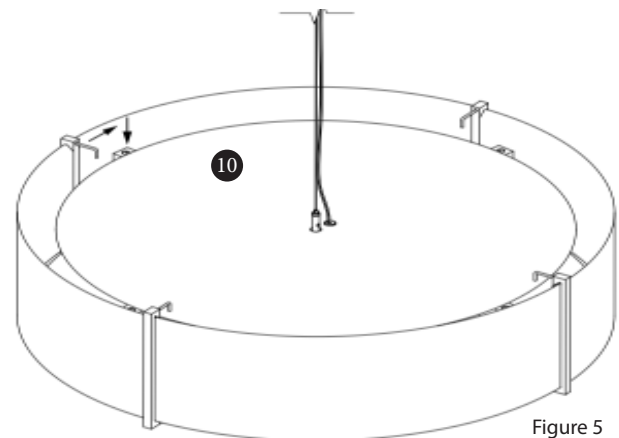
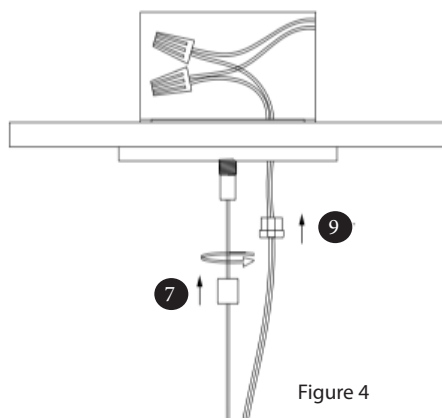
- 3 Fasten the universal crossbar assembly to the ceiling junction box using the included #8-32 x 3/4" machine screws.
- 4 Pull line voltage wires out of the junction box. Feed the clear power cord coming from the cross assembly through top diffuser and then through the strain relief hole in the canopy and make connections between line voltage wires, driver, and power cord.
- 5 **CRITICAL NOTE:** If 0-10V dimming control is to be used, connect purple and gray driver leads to 0-10V dimmer. Otherwise, the tinned ends of the leads should be snipped off and the leads should be capped individually such that they remain isolated from one another.
- 6 Once all connections have been made, push all excess wire connections into the junction box.



All Models

Securing the Canopy


- 7 Slide the canopy up the cable and secure it by screwing the thumb nut onto the crossbar assembly.
- 8 Use cable ties to fasten the power cord to the suspension wire.
- 9 Squeeze the strain relief onto the power wires just below the canopy. Once tightly compressed, press the strain relief into the strain relief hole in the canopy until fully engaged.



Installing the Shade

GU-24 Model Only :  
Install the GU-24 bulbs (not included) into fixture sockets.

- 10 All Models:  
Raise the shade and rotate so that all four hooks fall into the four holes in the cross assembly.

General Product information 

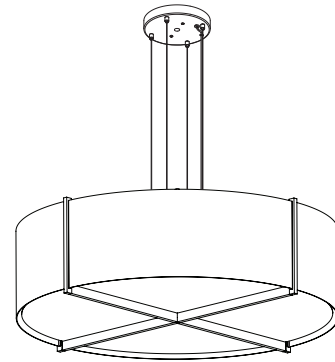
This product is suitable for indoor dry and damp locations only.

This product is to be installed to a 4" square junction box with a 3" round plaster ring or an octagon junction box.

Bulb and Dimmability Notes:

GU-24 Version: The ability to dim the fixture will depend on the type of bulb selected. The GU-24 version of this fixture accepts GU-24 based lamps (not included). Ensure that the lamps do not exceed the maximum rated wattage listed on socket.

LED Version: Fixture can be dimmed with TRIAC, ELV, or 0-10V dimming at 120VAC input. For 240 or 277VAC input, fixture is only dimmable with 0-10V dimming. Wiring details are outlined on second page of instructions.



**CAUTION - RISK OF FIRE**

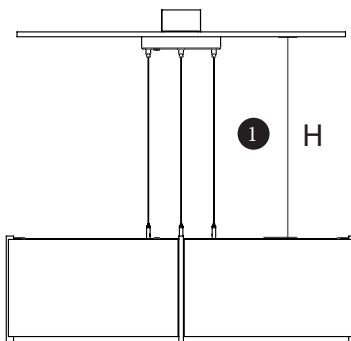


This product requires installation by a qualified electrician. Before installing be sure to read all instructions and **TURN POWER OFF TO THE JUNCTION BOX**

**All Models**

**Adjusting the Fixture Height**

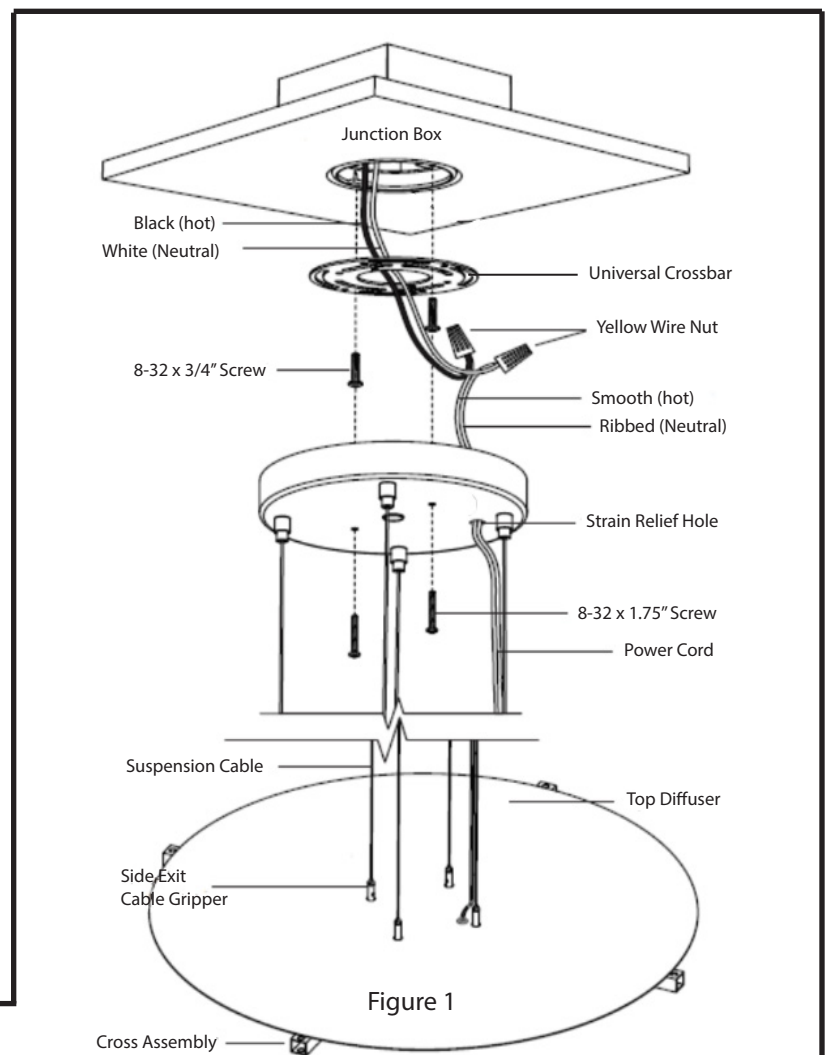
- 1 Place the shiny side of the top diffuser over the cross assembly. Measure the desired height (H) that you want the fixture to hang below the ceiling.
- 2 Adjust the length of the suspension cables to roughly the desired length by pushing them into the side-exit cable grippers located on top of the cross assembly. Final adjustments can be made after the fixture is mounted.



**GU-24 Model Only**

**Mounting the Fixture**

- 3 Fasten the universal crossbar to the ceiling junction box using the included #8-32 x 3/4" machine screws.
- 4 Pull line voltage wires through crossbar. Feed the clear power cord coming from the cross assembly through the top diffuser and then through the strain relief hole in the canopy and make connections between line voltage wires and power cord.
- 5 After electrical connections have been made, place wire connections and excess wire into the junction box.
- 6 Fasten the canopy to the universal crossbar using the included #8-32 x 1.75" screws.



LED Model Only

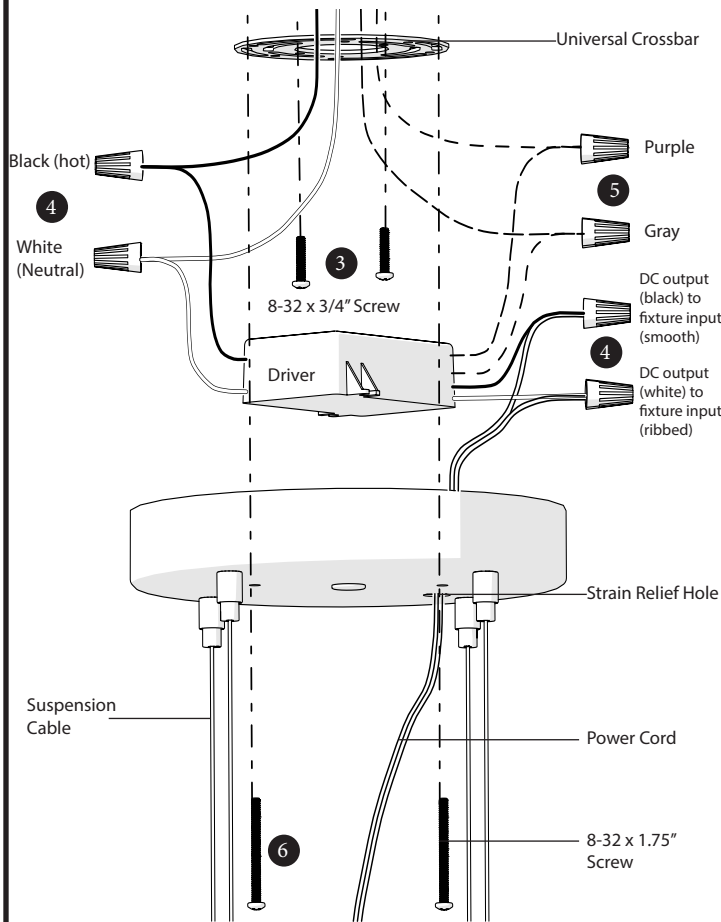
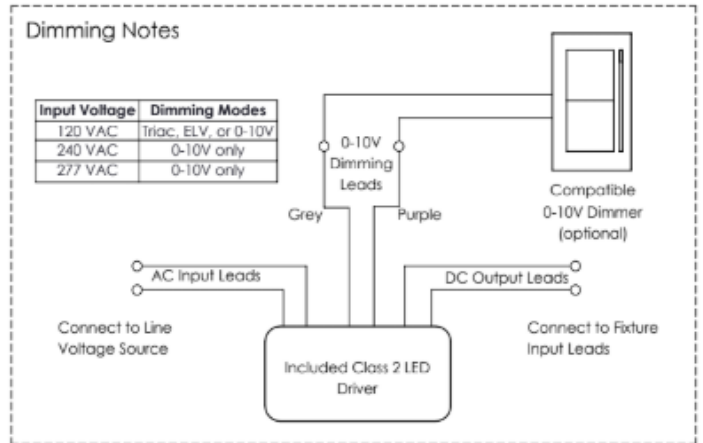


Figure 2

- 3 Fasten the universal crossbar to the ceiling junction box using the included #8-32 x 3/4" machine screws.
  - 4 Pull line voltage wires out of the junction box. Feed the clear power cord coming from the cross assembly through the top diffuser and then through the strain relief hole in the canopy and make connections between line voltage wires, driver, and power cord.
  - 5 **CRITICAL NOTE:** If 0-10V dimming control is to be used, connect purple and gray driver leads to 0-10V dimmer. Otherwise, the tinned ends of the leads should be snipped off and the leads should be capped individually such that they remain isolated from one another.
- Once all connections have been made, push all excess wire connections into the junction box.
- 6 The universal crossbar has two tapped #8-32 holes near its outer perimeter. Fasten the Canopy Assembly to the universal crossbar using the included #8-32 x 1.75" machine screws.



Leveling the Fixture

- 7 Level the fixture by making small adjustments to the length of each suspension cable. Pressing the small cylinder on top of the side-exit cable grippers will release the grip on the suspension cable.
- 8 Once the fixture is set at the correct height and is leveled, squeeze the black strain relief onto the clear power cord and press into the strain relief hole in the canopy. Once properly installed, the power cord should be held tightly and can not be pulled from the canopy.

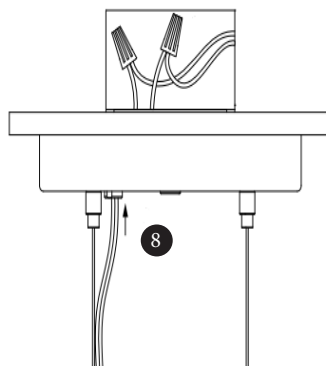


Figure 3

8A GU-24 Model Only

Once the cross assembly is suspended and leveled, install the GU-24 base bulbs (not included) into the four GU-24 sockets within the fixture

All Models

Installing Shade

- 9 Raise the shade towards the cross assembly. Align the brackets on the shade with the screws at the ends of the cross assembly. Use the lock nuts to secure the shade onto the light engine.

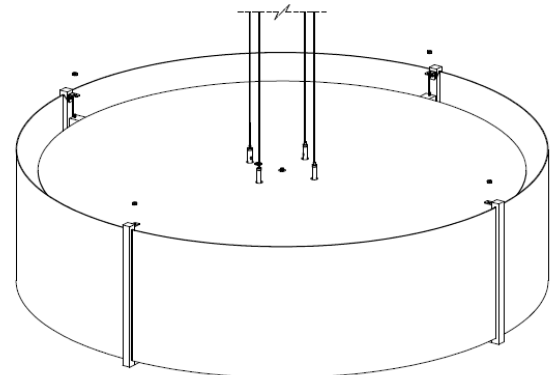


Figure 4