

# CALYPSO OUTDOOR GUADALOUPE (USA)

## TECHNICAL SHEET

**LOCATION :** *wet location*

**IP CODE :** IP65

**TPOLOGY :** *Suspended lamp*

**FINISHES and MATERIALS :**

*Satin brass body*

*Transparent glass diffuser*

**SHADE :**

*Waterproof fabrics*



BLACK



MINT



SALE E PEPE



WHITE

## CABLE

**MATERIAL :**

*Moss green waterproof braided cord*

**LENGTH OF THE CABLE :**

63 inc

## LIGHT SOURCE

**LIGHT SOURCE** *not included* :

1 x E26 LED

**POWER :** 8 W

## BOX SIZES

Box 1:

**WIDTH :** 21.7 inc

**DEPTH :** 9.5 inc

**HIGHT :** 11.8 inc

**WEIGHT :** 7.8 lb

Box 2:

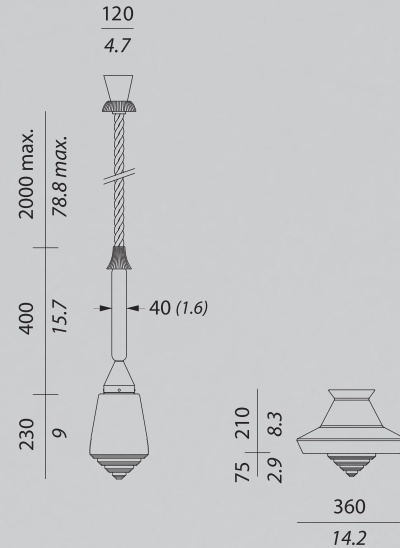
**WIDTH :** 17 inc

**DEPTH :** 17 inc

**HIGHT :** 10.3 inc

**WEIGHT :** 3.3 lb

## TECHNICAL DRAWINGS



## CERTIFICATION

ETL Certification  
Pending