

CALYPSO OUTDOOR MARTINIQUE (USA)

TECHNICAL SHEET

LOCATION : *wet location*

IP CODE : IP65

TPOLOGY : *Suspended lamp*

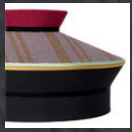
FINISHES and MATERIALS :

Satin brass body

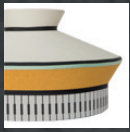
Transparent glass diffuser

SHADE :

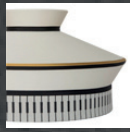
Waterproof fabrics



BLACK



YELLOW



BUILDING



WHITE

CABLE

MATERIAL :

Moss green waterproof braided cord

LENGTH OF THE CABLE :

63 inc

LIGHT SOURCE

LIGHT SOURCE *not included* :

1 x E26 LED

POWER : 8 W

BOX SIZES

Box 1:

WIDTH : 21.7 inc

DEPTH : 9.5 inc

HIGHT : 11.8 inc

WEIGHT : 7.8 lb

Box 2:

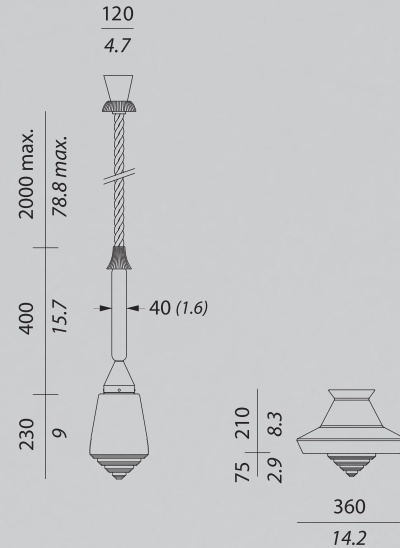
WIDTH : 17 inc

DEPTH : 17 inc

HIGHT : 10.3 inc

WEIGHT : 3.3 lb

TECHNICAL DRAWINGS



CERTIFICATION

ETL Certification
Pending