

Specifications/Features

Fixture

Low wattage, eco-friendly, LED track fixture provides high lumen output. Select from spot, medium and flood beam distributions. Dimming option allows illumination down to 10%. Note: Dimming option requires larger housing. See drawings for dimensions. Die cast aluminum housing with horizontal driver. Precision aiming adjustment. 350°+ Horizontal rotation, 180° vertical rotation. Integral ON/OFF switch and track polarity indicator are standard. Will accept (1) LF18 lens.

Lamp

(7) LEDs, 700mA constant current input; 18W/1200Lm total.
Color Temperature: 2700K (2725 ± 145)
3000K (3045 ± 175)
3500K (3465 ± 245)
4000K (3985 ± 275)

Electrical

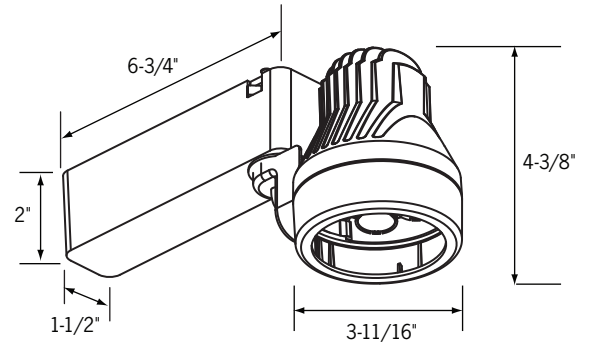
Driver: 120V primary and 700mA secondary, 60Hz.
Input current: 0.20A max

Warranty

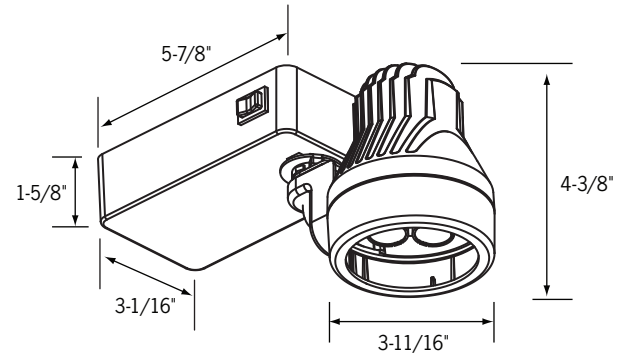
This complete fixture is covered by ConTech's full five (5) year replacement guarantee after date of purchase.

Listing

cCSAus Certified to UL standards. Suitable for dry locations.
Energy Star qualified.



Non-Dimming Housing



Dimming Housing

Ordering Information

Example Order: -

Fixture	Beam	Color Temp	Dimming Option	Finish	Accessories
<input type="text" value="CTL802818LH"/>	<input type="text" value="S"/>	<input type="text" value="27"/>	<input type="text" value="N"/>	<input type="text" value="B"/>	<input type="text" value="LA-35"/>
	M - Medium	3 - 3000K	D - Dimming	P - White	LA-44-(B,P,S) - Egg Crate Louver
	F - Flood	35 - 3500K		S - Silver	LF18 - A, B, CL, G, LB, R, RO, Y, 73, LS, SL, UV
		4 - 4000K			3-1/16" Dia. Tempered Glass Lenses

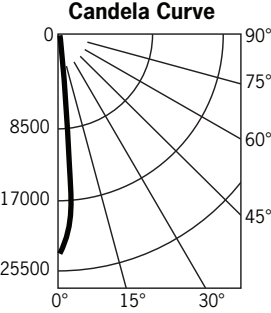
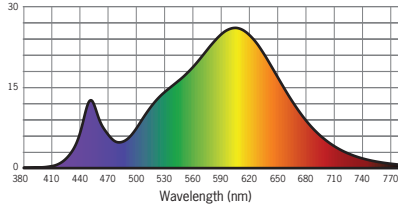
Color/Pattern Legend
-A (Amber), -B (Blue), -CL (Clear), -G (Green),
-LB (Light Blue), -R (Red), -RO (Rose),
-Y (Yellow), -73 (Spread Lens), -LS (Linear Spread Lens), -SL (Soft Light), -UV (Optivex UV Filter)

Photometrics

CTL802818LHS3

Designed for 50,000 Hour Lamp Life*; LM-63 Test No. 81023

Light Output (Fixture Lumens): 1061
Total Watts@120V: 17
Lumens Per Watt: 75
Color Rendering Index (CRI)¹: 83
Color Temperature (CCT)²: 3003K Warm White
Spectral Power Distribution Chart³
LM-79 Test No. 81024



FROM 0	CANDELA	LUMENS
0	25413	
5	15247	979
15	695	216
25	59	31
35	25	17
45	12	10
55	6	6
65	2	2
75	1	1
85	0	0
95	0	0

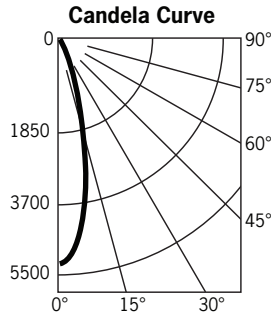
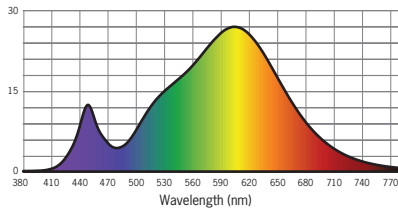
DISTANCE (FT.)	FOOTCANDELES (FC)	BEAM DIAMETER (FT.)
6'	705.9	1.2
8'	397.1	1.6
10'	254.1	2.0
12'	176.5	2.4
14'	129.7	2.8
16'	99.3	3.2

Beam Distribution: 11°
Spacing Criterion: 0.19

CTL802818LHM3

Designed for 50,000 Hour Lamp Life*; LM-63 Test No. 80828

Light Output (Fixture Lumens): 1319
Total Watts@120V: 17
Lumens Per Watt: 78
Color Rendering Index (CRI)¹: 82
Color Temperature (CCT)²: 3022K Warm White
Spectral Power Distribution Chart³
LM-79 Test No. 80840



FROM 0	CANDELA	LUMENS
0	5452	
5	4862	420
15	2099	574
25	454	227
35	82	58
45	29	23
55	13	12
65	3	3
75	1	1
85	1	1
95	0	0

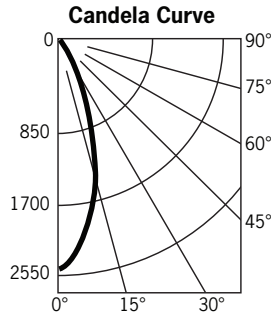
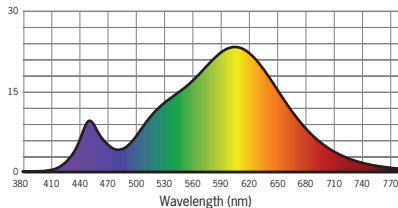
DISTANCE (FT.)	FOOTCANDELES (FC)	BEAM DIAMETER (FT.)
6'	151.4	2.5
8'	85.2	3.4
10'	54.5	4.2
12'	37.9	5.1
14'	27.8	5.9
16'	21.3	6.8

Beam Distribution: 25°
Spacing Criterion: 0.42

CTL802818LHF3

Designed for 50,000 Hour Lamp Life*; LM-63 Test No. 80829

Light Output (Fixture Lumens): 1120
Total Watts@120V: 17.5
Lumens Per Watt: 64
Color Rendering Index (CRI)¹: 82
Color Temperature (CCT)²: 2997K Warm White
Spectral Power Distribution Chart³
LM-79 Test No. 80841



FROM 0	CANDELA	LUMENS
0	2476	
5	2328	211
15	1492	409
25	623	291
35	194	128
45	62	50
55	22	20
65	6	6
75	2	2
85	2	2
95	0	0

DISTANCE (FT.)	FOOTCANDELES (FC)	BEAM DIAMETER (FT.)
6'	68.8	3.4
8'	38.7	4.6
10'	24.8	5.7
12'	17.2	6.9
14'	12.6	8.0
16'	9.7	9.2

Beam Distribution: 35°
Spacing Criterion: 0.57

1. Accuracy of rendering colors
2. Color appearance of light source
3. Colors present within the light source

*Dependent on surrounding temperatures