

CTL140

PAR38 Flat Back Cylinder Line Voltage Track Fixture

Specifications/Features

Fixture

Modern flat back design presents a crisp, high-tech silhouette. Deep set, black baffle provides lamp concealment for visual comfort. Yolk mount to provide a complementary balanced appearance. Integral ON/OFF switch and track polarity indicator are standard. Precise, rigid aiming. Full 360°+ rotation. Fixture will accept (1) LF40 lens, (1) LA-39 egg crate louver or BD40 barn doors by using the FA-40 accessory holder.

Lamp

(1) 250W PAR38 or 120W BR40 (max), E26 Medium Base.

Warranty

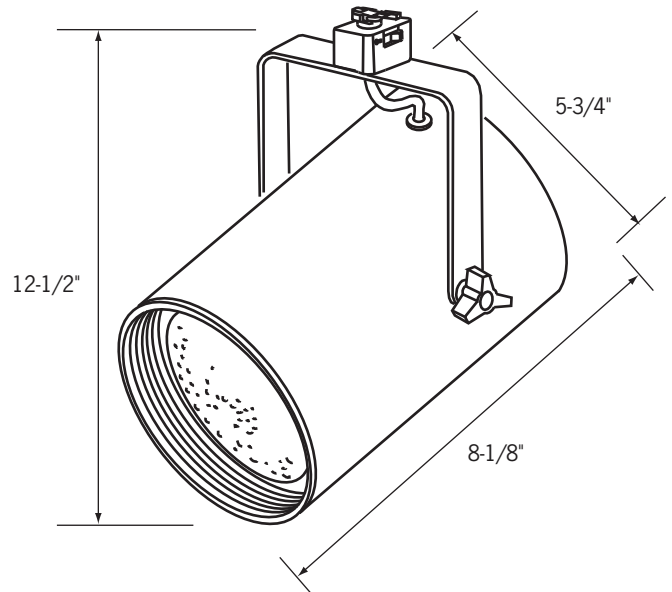
This fixture is covered by ConTech's full one (1) year replacement guarantee after date of purchase.

Listing

cCSAus Certified. Suitable for dry locations.

Fixture Compatibility

Standard ConTech track fixtures are cCSAus certified as-is for use with ConTech's many track systems, as well as with Juno®¹ Lighting track. By changing the prefix in the part number, ConTech can install inserts which make our fixtures compatible with other manufacturers. Replace "CTL" with "HTL" for Halo®² track, "LTL" for Lightolier®³ track, and "PTL" for Capri®⁴ track. For more information, please consult our factory.



Ordering Information

Example Order: —

Track System	Fixture	Finish	Accessory Holder	Accessories
<input type="text"/>	<input type="text"/>	<input type="text"/>	<input type="text"/>	<input type="text"/>

CTL - ConTech
HTL - Halo
LTL - Lightolier
PTL - Capri

140

B - Black
P - White

FA-40-(B, P, S)

LF40 - A, B, CL, G, LB, R, RO, Y, 73, LS, SL, UV
3-3/4" Dia. tempered glass lenses
LA-39-(B,P,S) - Egg-Crate Louver
BD40 - Black Barn Doors

Color/Pattern Legend
-A (Amber), **-B** (Blue), **-CL** (Clear), **-G** (Green), **-LB** (Light Blue), **-R** (Red), **-RO** (Rose), **-Y** (Yellow), **-73** (Spread Lens), **-LS** (Linear Spread Lens), **-SL** (Soft Light), **-UV** (Optivex UV Filter)

1. Juno is a registered trademark of Juno Lighting
2. Halo is a registered trademark of Cooper Lighting
3. Lightolier is a registered trademark of Philips Lighting
4. Capri is a registered trademark of Philips Lighting