

# CTL520

## PAR20 Classic Bell Line Voltage Track Fixture

### Specifications/Features

#### Fixture

Classic design enhances any interior.  
Deep black phenolic baffle to provide accent lighting with exceptional visual comfort.  
Integral ON/OFF switch and track polarity indicator are standard.  
Fixture will accept (1) LF20 lens, (1) LA-37 egg crate louver or BD20 barn doors by using the FA-20 accessory holder.

#### Lamp

(1) 50W R20, (1) 50W PAR20 or (1) 60W A19 Lamp (max), E26 Medium Base.

#### Warranty

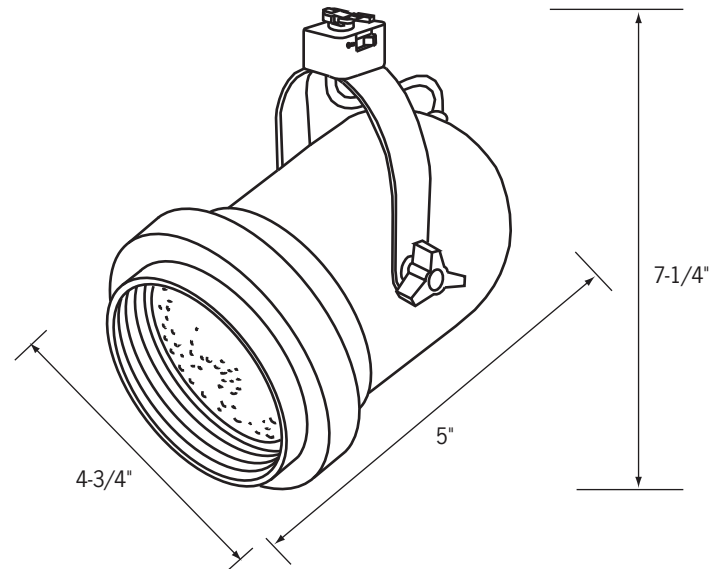
This fixture is covered by ConTech's full one (1) year replacement guarantee after date of purchase.

#### Listing

cCSAus Certified. Suitable for dry locations.

#### Fixture Compatibility

Standard ConTech track fixtures are cCSAus Certified as-is for use with ConTech's many track systems, as well as with Juno<sup>®1</sup> Lighting track. By changing the prefix in the part number, ConTech can install inserts which make our fixtures compatible with other manufacturers. Replace "CTL" with "HTL" for Halo<sup>®2</sup> track, "LTL" for Lightolier<sup>®3</sup> track, and "PTL" for Capri<sup>®4</sup> track. For more information, please consult our factory.



### Ordering Information

Example Order:  —

Track System	Fixture	Finish
<input type="text"/>	<input type="text"/>	<input type="text"/>

**CTL** - ConTech  
**HTL** - Halo  
**LTL** - Lightolier  
**PTL** - Capri

**520**

**B** - Black  
**P** - White

Accessory Holder
<input type="text"/>

**FA-20-(B, P, S)**

Accessories
<input type="text"/>

**LF20 - A, B, CL, G, LB, R, RO, Y, 73, LS, SL, UV**  
5-7/16" Dia. tempered glass lenses  
**LA-37-(B,P,S)** - Egg-Crate Louver  
**BD20** - Black Barn Doors

*Color/Pattern Legend*  
**-A** (Amber), **-B** (Blue), **-CL** (Clear), **-G** (Green), **-LB** (Light Blue), **-R** (Red), **-RO** (Rose), **-Y** (Yellow), **-73** (Spread Lens), **-LS** (Linear Spread Lens), **-SL** (Soft Light), **-UV** (Optivex UV Filter)

1. Juno is a registered trademark of Juno Lighting  
2. Halo is a registered trademark of Cooper Lighting  
3. Lightolier is a registered trademark of Philips Lighting  
4. Capri is a registered trademark of Philips Lighting