

CTL530

PAR30 Classic Bell Line Voltage Track Fixture

Specifications/Features

Fixture

Classic design enhances any interior.
Deep black phenolic baffle to provide accent lighting with exceptional visual comfort.
Integral ON/OFF switch and track polarity indicator are standard.
Fixture will accept (1) LF30 lens, (1) LA-38 egg crate louver or BD30 barn doors by using the FA-30 accessory holder.

Lamp

(1) 75W PAR30 Lamp, (1) 75W A19 or (1) 65W BR30 Lamp (max), E26 Medium Base.

Warranty

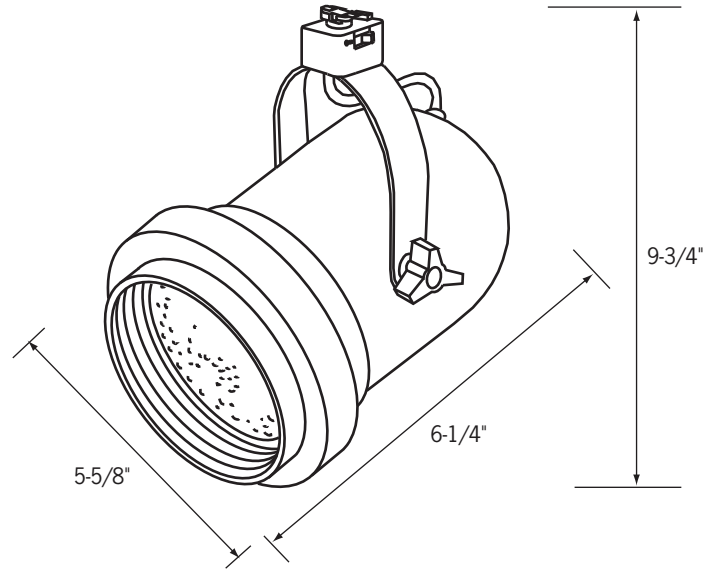
This fixture is covered by ConTech's full one (1) year replacement guarantee after date of purchase.

Listing

cCSAus Certified. Suitable for dry locations.

Fixture Compatibility

Standard ConTech track fixtures are cCSAus certified as-is for use with ConTech's many track systems, as well as with Juno®¹ Lighting track. By changing the prefix in the part number, ConTech can install inserts which make our fixtures compatible with other manufacturers. Replace "CTL" with "HTL" for Halo®² track, "LTL" for Lightolier®³ track, and "PTL" for Capri®⁴ track. For more information, please consult our factory.



Ordering Information

Example Order: —

Track System	Fixture	Finish
<input type="text"/>	<input type="text"/>	<input type="text"/>

CTL - ConTech
HTL - Halo
LTL - Lightolier
PTL - Capri

530

B - Black
P - White

Accessory Holder
<input type="text"/>

FA-30-(B, P, S)

Accessories
<input type="text"/>

LF30 - A, B, CL, G, LB, R, RO, Y, 73, LS, SL, UV
5-7/16" Dia. tempered glass lenses
LA-38-(B,P,S) - Egg-Crate Louver
BD30 - Black Barn Doors

Color/Pattern Legend
-A (Amber), **-B** (Blue), **-CL** (Clear), **-G** (Green), **-LB** (Light Blue), **-R** (Red), **-RO** (Rose), **-Y** (Yellow), **-73** (Spread Lens), **-LS** (Linear Spread Lens), **-SL** (Soft Light), **-UV** (Optivex UV Filter)

1. Juno is a registered trademark of Juno Lighting
2. Halo is a registered trademark of Cooper Lighting
3. Lightolier is a registered trademark of Philips Lighting
4. Capri is a registered trademark of Philips Lighting