

# CTL601

## Universal Lampholder Line Voltage Track Fixture

### Specifications/Features

#### Fixture

Simple design provides a clean look; half-yoke mounting design minimizes fixture presence.  
Adjustable socket housing fits up close to long neck as well as short neck lamps.  
May be track mounted or used in mono-point applications with the LA-18 mono-point accessory.  
Precise, rigid aiming and full 350° rotation.  
Integral ON/OFF switch and track polarity indicator are standard.  
Will accept Barn Doors (BD60).

#### Max. Lamp

(1) 50W PAR20, 75W PAR16, 75W PAR30 or 250W PAR38; 120V, E26 medium base.

#### Warranty

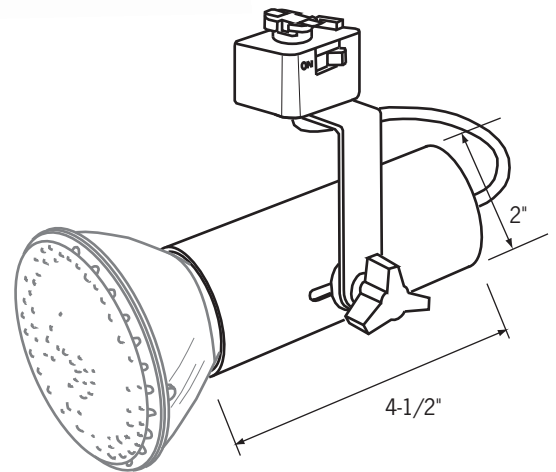
This fixture is covered by ConTech's full one (1) year replacement guarantee after date of purchase.

#### Listing

cCSAus Certified. Suitable for dry locations.

#### Fixture Compatibility

Standard ConTech track fixtures are cCSAus certified as-is for use with ConTech's many track systems, as well as with Juno<sup>®1</sup> Lighting track. By changing the prefix in the part number, ConTech can install inserts which make our fixtures compatible with other manufacturers. Replace "CTL" with "HTL" for Halo<sup>®2</sup> track, "LTL" for Lightolier<sup>®3</sup> track, and "PTL" for Capri<sup>®4</sup> track. For more information, please consult our factory.



Shown with Short Neck PAR30 Lamp

### Ordering Information

Example Order:  —

Track System

**CTL** - ConTech  
**HTL** - Halo  
**LTL** - Lightolier  
**PTL** - Capri

Fixture

**601**

Finish

**B** - Black  
**P** - White

Accessories

**BD60** - Black Barn Doors

1. Juno is a registered trademark of Juno Lighting  
2. Halo is a registered trademark of Cooper Lighting  
3. Lightolier is a registered trademark of Philips Lighting  
4. Capri is a registered trademark of Philips Lighting