

CTL603, CTL603A

Universal Lampholder with Side Swivel Line Voltage Track Fixture

Specifications/Features

Fixture

Fixture can be used with Long Neck PAR30 lamps as well as PAR16, PAR20, and PAR38 lamps. CTL603A has socket position for short neck lamps.

Vertical slide adjustment slot allows numerous fixture heights.

Half-yoke mounting design minimizes fixture presence.

May be track mounted or used in mono-point applications with the LA-18 mono-point accessory.

Precise, rigid aiming and full 350° horizontal rotation.

Integral ON/OFF switch and track polarity indicator are standard.

Max. Lamp

(1) 50W PAR20, 75W PAR16, 75W PAR30 or 250W PAR38; 120V, E26 medium base.

Warranty

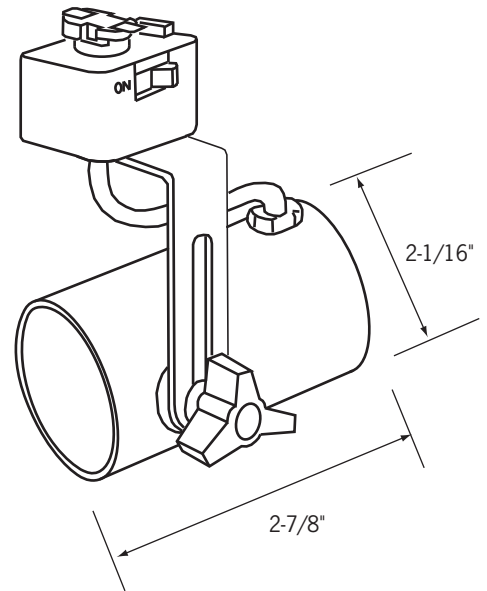
This fixture is covered by ConTech's full one (1) year replacement guarantee after date of purchase.

Listing

cCSAus Certified. Suitable for dry locations.

Fixture Compatibility

Standard ConTech track fixtures are cCSAus certified as-is for use with ConTech's many track systems, as well as with Juno^{®1} Lighting track. By changing the prefix in the part number, ConTech can install inserts which make our fixtures compatible with other manufacturers. Replace "CTL" with "HTL" for Halo^{®2} track, "LTL" for Lightolier^{®3} track, and "PTL" for Capri^{®4} track. For more information, please consult our factory.



Ordering Information

Example Order: —

Track System	Fixture	Finish
<input type="text"/>	<input type="text"/>	<input type="text"/>
CTL - ConTech HTL - Halo LTL - Lightolier PTL - Capri	603 - Long Neck PAR Lamps 603A - Short Neck PAR Lamps	B - Black P - White S - Silver

1. Juno is a registered trademark of Juno Lighting
 2. Halo is a registered trademark of Cooper Lighting
 3. Lightolier is a registered trademark of Philips Lighting
 4. Capri is a registered trademark of Philips Lighting