

CTL6130

PAR30 Lampholder with Tapered Cone Line Voltage Track Fixture

Specifications/Features

Fixture

Low profile molded side swivel design with "Sure-Set" precise aiming. Front relamping, short barreled tapered cone lampholder assembly is made of formed steel. Integral ON/OFF switch and track polarity indicator are standard. Will accept (1) LF30 lens or Egg Crate Louver (LA-38) by using FA-37A black accessory mounting clips. Satin Chrome finish includes black track adapter and fixture arm.

Lamp

(1) 75W PAR30, 120V, E26 medium base (max).
Lamp sold separately.

Warranty

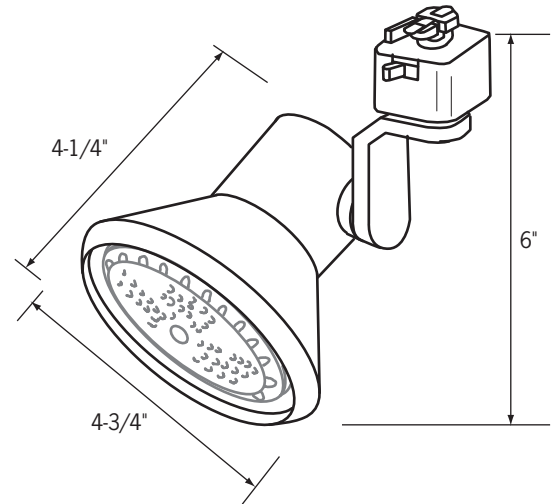
This fixture is covered by ConTech's full one (1) year replacement guarantee after date of purchase.

Listing

cCSAus Certified. Suitable for dry locations.

Fixture Compatibility

Standard ConTech track fixtures are cCSAus Certified as-is for use with ConTech's many track systems, as well as with Juno^{®1} Lighting track. By changing the prefix in the part number, ConTech can install inserts which make our fixtures compatible with other manufacturers. Replace "CTL" with "HTL" for Halo^{®2} track, "LTL" for Lightolier^{®3} track, and "PTL" for Capri^{®4} track. For more information, please consult our factory.



Ordering Information

Example Order: —

Track System	Fixture	Finish	Accessory Holder	Accessories
<input type="text"/>	<input type="text"/>	<input type="text"/>	<input type="text"/>	<input type="text"/>

CTL - ConTech
HTL - Halo
LTL - Lightolier
PTL - Capri

6130

B - Black
P - White
S - Silver
SC - Satin Chrome

FA-37A - Black Accessory Clips, Set of (3)

LF30-* - 4-11/16" Dia. tempered glass lenses

*A, B, CL, DPE, G, LB, R, RO, Y, 73, LS, SL, UV

LA-38-(B,P,S) - Egg-Crate Louver

Color/Pattern Legend

-A (Amber), **-B** (Blue), **-CL** (Clear), **-DPE** (Dichroic Peach), **-G** (Green), **-LB** (Light Blue), **-R** (Red), **-RO** (Rose), **-Y** (Yellow), **-73** (Spread Lens), **-LS** (Linear Spread Lens), **-SL** (Soft Light), **-UV** (Optivex UV Filter)

1. Juno is a registered trademark of Juno Lighting
2. Halo is a registered trademark of Cooper Lighting
3. Lightolier is a registered trademark of Philips Lighting
4. Capri is a registered trademark of Philips Lighting