

LTK3330

PAR30LN Builder's Line Voltage Track Kit

Specifications/Features

Fixture

The Builder's track light package provides a very economical three light fixture kit. Kit includes: (3) CTL330-P Fixtures (white finish), (1) LT-4-P (4-foot track section) and (1) LA-7-P (floating feed kit).

Stem mounting conceals wires while providing 350° rotation with full vertical adjustment.

A black phenolic baffle assures full cutoff.

These models may be used with LA-2 or LA-12 connectors and additional track sections.

Integral ON/OFF switch and track polarity indicator on each fixture are standard.

Each fixture will accept (1) LF30 lens, LA-38 Egg Crate Louver or BD30 Barn Doors by using the FA-30 accessory holder.

Lamp

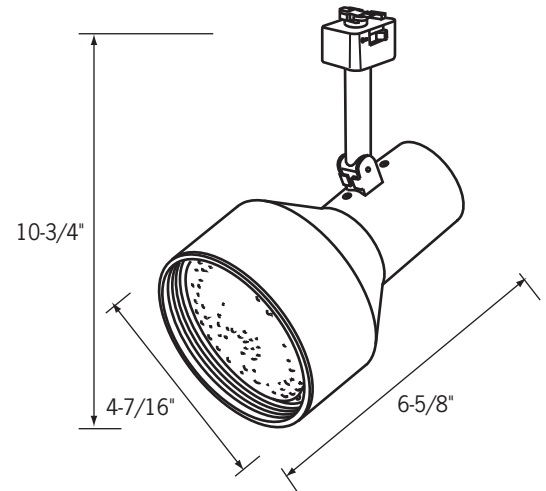
(3) 65W BR30 (max), (3) 75W PAR30LN (max) or (3) 100W A19 (max). ; 120V, E26 medium base.

Warranty

This fixture is covered by ConTech's full one (1) year replacement guarantee after date of purchase.

Listing

cULus listed. Suitable for dry locations.



Ordering Information

Example Order: -

Fixture

LTK3330

Finish

P - White

Accessory Holder

FA-30-(B,P,S)

Accessories

BD30 - Black Barn Doors
LA-38-(B,P,S) - Egg Crate Louver
LF30 - (A, B, CL, G, LB, R, RO, Y, 73, LS, SL, UV)
 4-11/16" Tempered glass lenses

Color/Pattern Legend

-A (Amber), -B (Blue), -CL (Clear), -G (Green),
 -LB (Light Blue), -R (Red), -RO (Rose), -Y (Yellow),
 -73 (Spread Lens), -LS (Linear Spread Lens),
 -SL (Soft Light), -UV (Optivex UV Filter)