

CTL8028AR111

Optica AR111 Low Voltage Track Fixture

Specifications/Features

Fixture

Sleek lamp head and vertical housing design enhance almost any space. Die cast aluminum housing. Lockable, precision aiming adjustment. 360° horizontal rotation, 160° vertical rotation. Open sides provide convenient relamping and venting. Integral ON/OFF switch and track polarity indicator are standard.

Lamp

(1) 75W AR111 max., G53 base.

Warranty

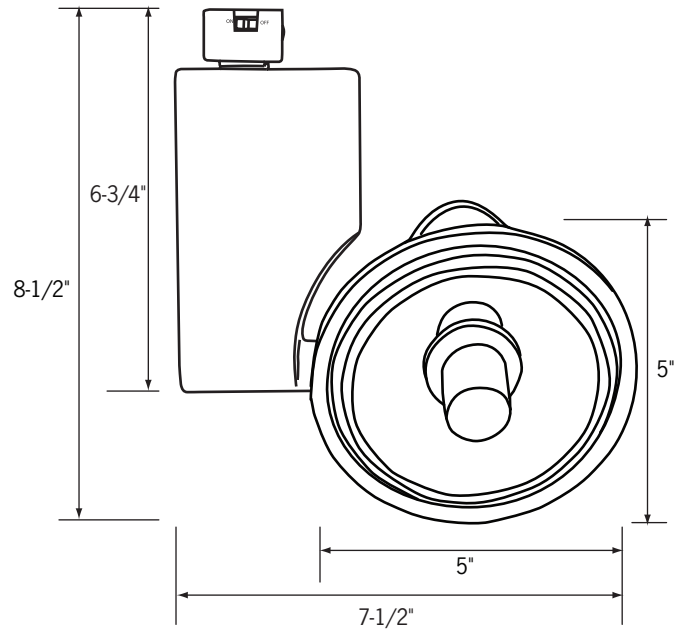
This fixture is covered by ConTech's full one (1) year replacement guarantee after date of purchase.

Listing

cULus listed. Suitable for dry locations.

Fixture Compatibility

Standard ConTech track fixtures are cCSAus Certified as-is for use with ConTech's many track systems, as well as with Juno®¹ Lighting track. By changing the prefix in the part number, ConTech can install inserts which make our fixtures compatible with other manufacturers. Replace "CTL" with "HTL" for Halo®² track, "LTL" for Lightolier®³ track, and "PTL" for Capri®⁴ track. For more information, please consult our factory.



Ordering Information

Example Order: –

Track System	Fixture	Finish
<input type="text"/>	<input type="text"/>	<input type="text"/>
CTL - ConTech HTL - Halo LTL - Lightolier PTL - Capri	8028AR111	B - Black P - White S - Silver

1. Juno is a registered trademark of Juno Lighting
 2. Halo is a registered trademark of Cooper Lighting
 3. Lightolier is a registered trademark of Philips Lighting
 4. Capri is a registered trademark of Philips Lighting