

CTL9836T/111

Low Voltage Micro/Lyte™ AR111 Track Fixture

Specifications/Features

Fixture

Side-by-side design gives the convenience of pre-wired fixture/transformer combination with minimal dimensions. The vertical positioned electronic transformer keeps the entire fixture to a scant 5-1/2" drop from the track surface. The fully adjustable (90° vertical, in both directions and 356° horizontal) lampholder allows for easy aiming that is firmly held in position. A convenient snap-off socket holder completes the electrical connection to the lamp terminals. Lamp shielding is not required if the lamp manufacturer states their lamp is acceptable for an open fixture, per UL1598. Phillips and Sylvania offer low pressure lamps. Integral ON/OFF switch and track polarity indicator are standard. Will accept FA-36 accessory clips and one (1) LF30 lens.

Lamp

(1) 75W AR111 lamp (max). Concealed light source and smooth beam spreads create a high level of versatility in commercial and hospitality applications.

Warranty

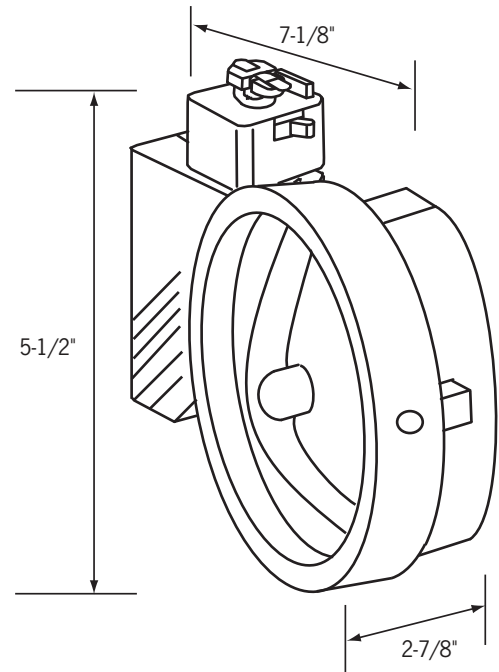
This fixture is covered by ConTech's full one (1) year replacement guarantee after date of purchase.

Listing

cULus listed. Suitable for dry locations.

Fixture Compatibility

Standard ConTech track fixtures are cCSAus Certified as-is for use with ConTech's many track systems, as well as with Juno®¹ Lighting track. By changing the prefix in the part number, ConTech can install inserts which make our fixtures compatible with other manufacturers. Replace "CTL" with "HTL" for Halo®² track, "LTL" for Lightolier®³ track, and "PTL" for Capri®⁴ track. For more information, please consult our factory.



Ordering Information

Example Order: -

Track System	Fixture	Finish	Accessory Holder	Accessories
<input type="text"/>	<input type="text"/>	<input type="text"/>	<input type="text"/>	<input type="text"/>

CTL - ConTech
HTL - Halo
LTL - Lightolier
PTL - Capri

9836T/111

B - Black
P - White
S - Silver

FA-36 - Accessory Clips
Set of (3)

LF30 - **A, B, CL, G, LB, R, RO, Y, 73, LS, SL, UV**
Tempered glass lenses
LA-38 - Egg Crate Louver

Color/Pattern Legend
-A (Amber), **-B** (Blue), **-CL** (Clear), **-LB** (Light Blue),
-R (Red), **-RO** (Rose), **-Y** (Yellow), **-73** (Spread Lens),
-LS (Linear Spread Lens), **-SL** (Soft Light),
-UV (Optivex UV Filter)

1. Juno is a registered trademark of Juno Lighting
2. Halo is a registered trademark of Cooper Lighting
3. Lightolier is a registered trademark of Philips Lighting
4. Capri is a registered trademark of Philips Lighting