

CTL2820

Front Relamping PAR20 Gimbal Line Voltage Track Fixture

Specifications/Features

Fixture

2-Plane gimbal design permits maximum horizontal and vertical swivel for excellent aiming.

"Sure-Set" yoke holds the fixture firmly in place.

Integral ON/OFF switch and track polarity indicator are standard.

Will accept (1) LF20 86MM lens by using FA-28 black accessory mounting clips.

Lamp

(1) 50W PAR20 Lamp (max.) 120V, E26 medium base.

Warranty

This fixture is covered by ConTech's full one (1) year replacement guarantee after date of purchase.

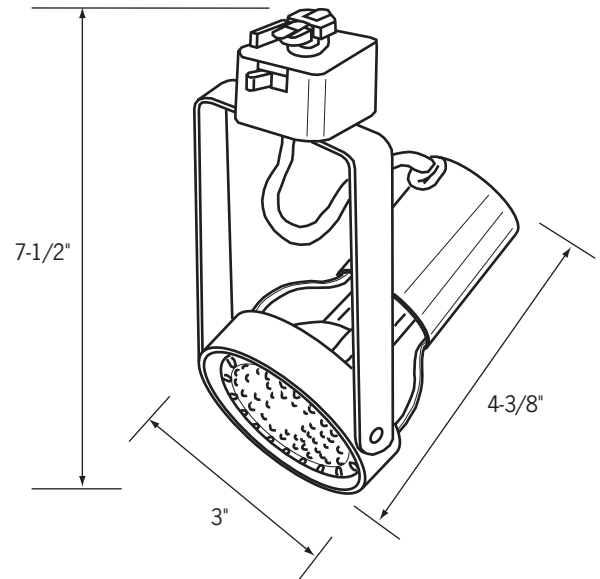
Listing

cCSAus Certified. Suitable for dry locations.

Fixture Compatibility

Standard ConTech track fixtures are cCSAus certified as-is for use with ConTech's many track systems, as well as with Juno^{®1} Lighting track.

By changing the prefix in the part number, ConTech can install inserts which make our fixtures compatible with other manufacturers. Replace "CTL" with "HTL" for Halo^{®2} track, "LTL" for Lightolier^{®3} track, and "PTL" for Capri^{®4} track. For more information, please consult our factory.



Ordering Information

Example Order: -

Fixture

CTL2820

Finish

B - Black
P - White
S - Silver

Accessory Holder

FA-28 - Black Accessory Clips, Set of (3)

Accessories

LF20-* 86MM - 3-3/8" Dia. tempered glass lenses

*A, B, CL, G, LB, R, RO, Y, 73, LS, SL, UV

Color/Pattern Legend

-A (Amber), **-B** (Blue), **-CL** (Clear), **-G** (Green), **-LB** (Light Blue), **-R** (Red), **-RO** (Rose), **-Y** (Yellow), **-73** (Spread Lens), **-LS** (Linear Spread Lens), **-SL** (Soft Light), **-UV** (Optivex UV Filter)

1. Juno is a registered trademark of Juno Lighting
2. Halo is a registered trademark of Cooper Lighting
3. Lightolier is a registered trademark of Philips Lighting
4. Capri is a registered trademark of Philips Lighting