

**Specifications/Features**

**Fixture**

Designed for MR16 12V halogen lamps.  
 "Sure-Set" yoke design provides accurate aiming and holds fixture in position without unsightly knobs.  
 Allows two lenses maximum.  
 All styles are equipped with a convenient on/off switch and polarity indicator.

**Lamp/Electrical**

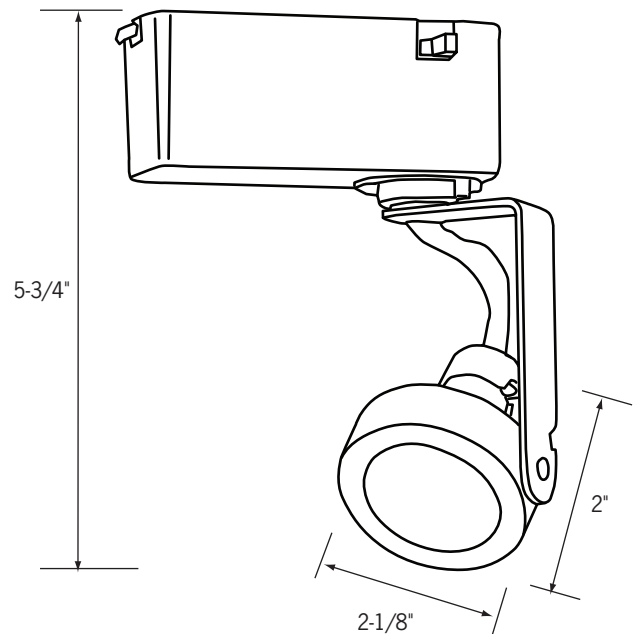
(1) 75W MR16 (max) Lamp, 12V  
 Must be used with LA2050N or LA2075N (120V/12V) transformer.  
 For mono-point applications, use LA1816.  
 On fixtures designed for use with MR16 lamps, ConTech Lighting provides a clear, tempered safety glass. This safety glass should only be used with open MR16 lamps, and not used with MR16 lamps that contain an integral glass lens. This safety glass should be removed if use of MR16 with front glass is required.

**Warranty**

This fixture is covered by ConTech's full one (1) year replacement guarantee after date of purchase.

**Listing**

cULus listed. Suitable for dry locations.



**Ordering Information**

Example Order:  -

Fixture

**CTL8116**

Finish

**P** - White  
**B** - Black  
**S** - Silver

Transformer

**LA2050N-B** - 50W Transformer, Black  
**LA2050N-P** - 50W Transformer, White  
**LA2075N-B** - 75W Transformer, Black  
**LA2075N-P** - 75W Transformer, White

Accessories

**LF16** - **A, B, CL, G, LB, R, RO, Y, 73, LS, SL, UV**  
 2" Tempered glass lenses  
**FA-16** - Honeycomb Louver  
**LA-816** - Black Snoot  
**THS-16** - Thermal Heat Shield

Color/Pattern Legend

**-A** (Amber), **-B** (Blue), **-CL** (Clear), **-LB** (Light Blue),  
**-R** (Red), **-RO** (Rose), **-Y** (Yellow), **-73** (Spread Lens),  
**-LS** (Linear Spread Lens), **-SL** (Soft Light),  
**-UV** (Optivex UV Filter)