

Specifications/Features

Fixture

2-plane gimbal design permits 360° horizontal swivel and 150° adjustability in the vertical plane for excellent aiming. "Sure-Set" yoke holds the fixture firmly in place. Integral ON/OFF switch and track polarity indicator are standard. Supplied with accessory clips (FA-38) that will accept (1) LF20 lens, LA-37 egg crate louver or BD830 black barn doors. The LA-36 honeycomb louver will fit between the lamp and gimbal ring.

Lamp

(1) 75W PAR30 Lamp (max.) 120V, E26 medium base.

Warranty

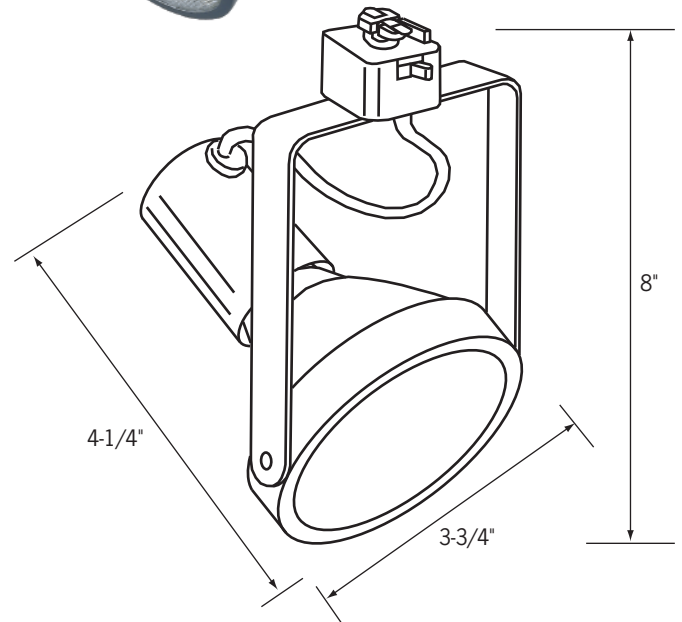
This fixture is covered by ConTech's full one (1) year replacement guarantee after date of purchase.

Listing

cCSAus Certified. Suitable for dry locations.

Fixture Compatibility

Standard ConTech track fixtures are cCSAus certified as-is for use with ConTech's many track systems, as well as with Juno^{®1} Lighting track. By changing the prefix in the part number, ConTech can install inserts which make our fixtures compatible with other manufacturers. Replace "CTL" with "HTL" for Halo^{®2} track, "LTL" for Lightolier^{®3} track, and "PTL" for Capri^{®4} track. For more information, please consult our factory.



Ordering Information

Example Order: —

Track System

Fixture

Finish

Accessories

CTL - ConTech
HTL - Halo
LTL - Lightolier
PTL - Capri

830

B - Black
P - White
U - UNLook
(Black Adapter/Black Cord)
US - Satin UNLook
(Silver Adapter/Black Cord)

For Use Within Gimbal Ring:

LA-36 - Black Honeycomb Louver

For Use With Accessory Clips:

LF20 - A, B, CL, G, LB, R, RO, Y, 73, LS, SL, UV

4-3/4" Dia. tempered glass lenses

LA-37-(B,P,S) - Egg-Crate Louver
BD830 - Black Barn Doors

Color/Pattern Legend

-A (Amber), **-B** (Blue), **-CL** (Clear), **-G** (Green),
-LB (Light Blue), **-R** (Red), **-RO** (Rose), **-Y** (Yellow),
-73 (Spread Lens), **-LS** (Linear Spread Lens),
-SL (Soft Light), **-UV** (Optivex UV Filter)

1. Juno is a registered trademark of Juno Lighting
2. Halo is a registered trademark of Cooper Lighting
3. Lightolier is a registered trademark of Philips Lighting
4. Capri is a registered trademark of Philips Lighting