

Catalog No. _____

Type _____

Project _____

Specifications/Features

Housing

120V Triac dimmable
250 Lumens / 4W per foot
Integral driver in each unit
Superior versatility, color rendering and efficiency.
Resistant to shock and vibration.
No infrared or ultraviolet radiation.
Thin profile; less than 1" in depth.
Bronze or white finish with frosted lens; available in 3 lengths. Other sizes available; please consult the factory.
Each unit includes one End-to-End connector.
Hardwire and plug-and-play power connectors sold separately.
Assorted flexible connections allow for continuous row applications as well as applications with bends and corners.
Linkable to 400W max.
Integral ON/OFF switch

Lamp

CCT: 3000K. Other color temperatures are available; please consult the factory.
CRI: 80+
12": 4W / 250lm
24": 8W / 500lm
33": 10W / 675lm

Mounting

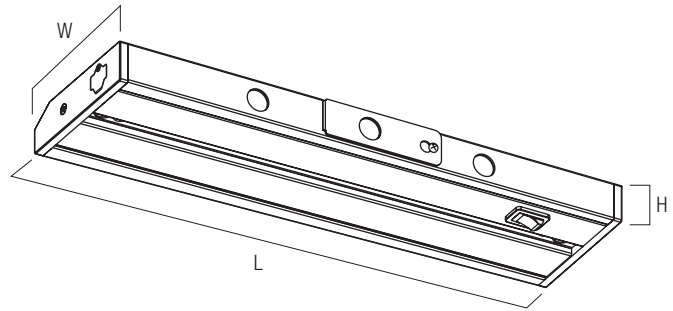
Built in LED driver and large knockout plate in the back makes for effortless installation.

Warranty

This complete fixture is covered by ConTech's full five (5) year replacement guarantee after date of purchase.

Listing

cULus listed. Suitable for dry locations.



MODEL	L	W	H
LPU12	12-1/4"	3-5/8"	15/16"
LPU24	24-1/4"	3-5/8"	15/16"
LPU33	32-3/4"	3-5/8"	15/16"

Ordering Information

Example Order: -

Fixture	Length	Color Temp	Finish
<input type="text" value="LPU"/>	<input type="text" value="12- 12-1/4\"/> <input type="text" value="24- 24-1/4\"/> <input type="text" value="33- 32-3/4"/>	<input type="text" value="30K - 3000K"/>	<input type="text" value="BR - Bronze
P - White"/>

Accessories

- LPACE-(B,P)** - End-to-End Connector
- LPAC6-(B,P)** - 6" Jumper Cable
- LPAC12-(B,P)** - 12" Jumper Cable
- LPAC24-(B,P)** - 24" Jumper Cable
- LPAC72-(B,P)** - 72" Jumper Cable
- LPAHW72-(B,P)** - 72" 3-Wire Hardwire Connector
- LPAPL72-(B,P)** - 72" Plug-and-Play Connector

Finish Codes: -B (Black), -P (White)