

Specifications/Features

Fixture

Precision-crafted die cast aluminum housing.
 OPen design for cooler operation and convenient front relamping.
 Dual-rail yoke design provides a "hi-tech", less bulky look.
 Sure-Set yoke for precise aiming without tools and full 350° rotation.
 Integral on/off switch and track polarity indicator are standard.
 See separate specification sheet for low voltage versions of this uniquely designed track fixture (CTL8016 & CTL8016/TAL).

Lamp/Electrical

Uses line voltage (120V) lamps for versatility and convenience.
 (1) 75W max. PAR16, E26 medium base.

Warranty

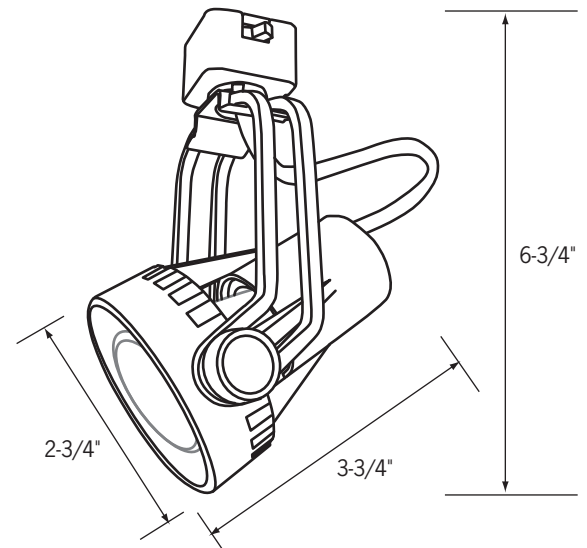
This fixture is covered by ConTech's full one (1) year replacement guarantee after date of purchase.

Listing

cCSAus Certified. Suitable for dry locations.

Fixture Compatibility

Standard ConTech track fixtures are cCSAus certified as-is for use with ConTech's many track systems, as well as with Juno^{®1} Lighting track. By changing the prefix in the part number, ConTech can install inserts which make our fixtures compatible with other manufacturers. Replace "CTL" with "HTL" for Halo^{®2} track, "LTL" for Lightolier^{®3} track, and "PTL" for Capri^{®4} track. For more information, please consult our factory.



Ordering Information

Example Order: -

Track System	Fixture	Finish
CTL - ConTech HTL - Halo LTL - Lightolier PTL - Capri	8016	B - Black P - White S - Silver U - Unfinished Aluminum

1. Juno is a registered trademark of Juno Lighting
 2. Halo is a registered trademark of Cooper Lighting
 3. Lightolier is a registered trademark of Philips Lighting
 4. Capri is a registered trademark of Philips Lighting