

**Specifications/Features**

**Fixture**

Economic design choice for simplicity and flexibility in applications. Adjustable socket for proper seating of any size PAR lamp; thumb-screw locks seating position. Stem style mounting arm has Sure-Set aiming adjustment for accurate positioning. Two deep baffle shades, LA-30 and LA-40, are available to conceal the lamp and create a step-cylinder fixture silhouette. May be track mounted or used in mono-point applications with the LA-18 mono-point accessory. Precise, rigid aiming and full 350° rotation. Integral ON/OFF switch and track polarity indicator are standard. LF-30 Shade will accept (1) LF30 lens, Egg Crate Louver (LA-38) or Barn Doors (BD30) by using the FA-30 accessory holder. LF-40 Shade will accept (1) LF40 lens, Egg Crate Louver (LA-39) or Barn Doors (BD40) by using the FA-40 accessory holder.

**Max. Lamp**

(1) 50W PAR20, 75W PAR16, 75W PAR30 or 250W PAR38; 120V, E26 medium base.

**Warranty**

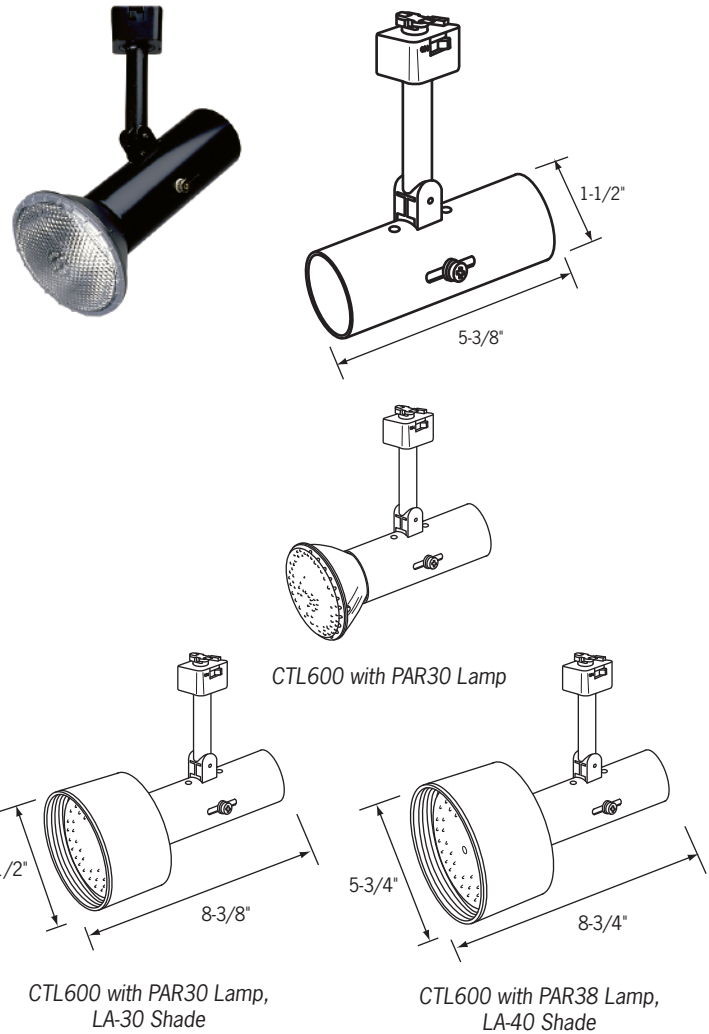
This fixture is covered by ConTech's full one (1) year replacement guarantee after date of purchase.

**Listing**

cCSAus Certified. Suitable for dry locations.

**Fixture Compatibility**

Standard ConTech track fixtures are cCSAus Certified as-is for use with ConTech's many track systems, as well as with Juno<sup>®1</sup> Lighting track. By changing the prefix in the part number, ConTech can install inserts which make our fixtures compatible with other manufacturers. Replace "CTL" with "HTL" for Halo<sup>®2</sup> track, "LTL" for Lightolier<sup>®3</sup> track, and "PTL" for Capri<sup>®4</sup> track. For more information, please consult our factory.



**Ordering Information**

Example Order: <input type="text" value="CTL600"/> - <input type="text" value="P"/> <input type="text" value="LA30-P"/> <input type="text" value="FA-30"/> <input type="text" value="LF30-LS"/>				
Fixture	Finish	Lampshade	Black Accessory Clips	Accessories
<input type="text" value="CTL600"/>	<input type="text" value="P"/>	<input type="text" value="LA30-P"/>	<input type="text" value="FA-30"/>	<input type="text" value="LF30-LS"/>
<b>CTL600</b>	<b>B</b> - Black <b>P</b> - White	<b>LA-30-(B, P)</b> - PAR30 Baffled Lamp shade, Black Baffle <b>LA-40-(B, P)</b> - PAR38 Baffled Lamp shade, Black Baffle	<b>FA-30</b> - For use with LA-30 Shade <b>FA-40</b> - For use with LA-40 Shade	<b>LF30-(A, B, CL, G, LB, R, RO, Y, 73, LS, SL, UV)</b> 4-11/16" Dia. Tempered Glass Lenses for use with LA-30 Shade <b>LA-38-(B,P,S)</b> - Egg-Crate Louver for use with LA-30 Shade <b>BD30</b> - Black Barn Doors for use with LA-30 Shade <b>LF40-(A, B, CL, G, LB, R, RO, Y, 73, LS, SL, UV)</b> 5-7/16" Dia. Tempered Glass Lenses for use with LA6838 Shade <b>LA-39-(B,P,S)</b> - Egg-Crate Louver for use with LA6838 Shade <b>BD40</b> - Black Barn Doors for use with LA-40 Shade

1. Juno is a registered trademark of Juno Lighting  
2. Halo is a registered trademark of Cooper Lighting  
3. Lightolier is a registered trademark of Philips Lighting  
4. Capri is a registered trademark of Philips Lighting

**Color/Pattern Legend**  
-A (Amber), -B (Blue), -CL (Clear), -DPE (Dichroic Peach), -G (Green), -LB (Light Blue), -R (Red), -RO (Rose), -Y (Yellow), -73 (Spread Lens), -LS (Linear Spread Lens), -SL (Soft Light), -UV (Optivex UV Filter)