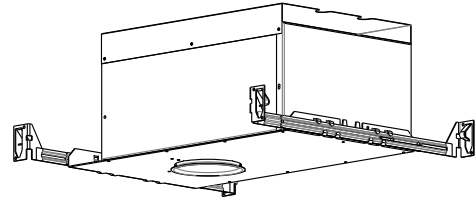


**3 1/2" 3000 SERIES**

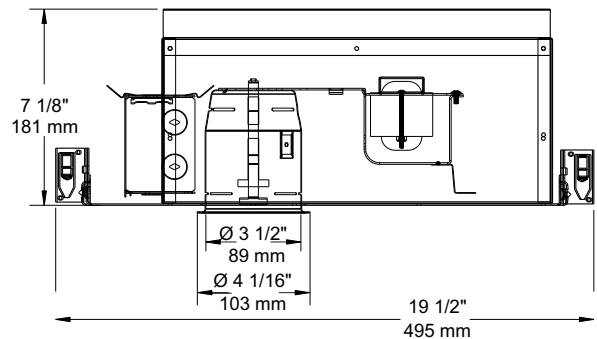
**ISMR3000M**

ISMR3000M2  
ISMR3000M3

**INSULATED CEILING HOUSING WITH MAGNETIC TRANSFORMER**



	Yes
	MR16 50W Max.
	ISMR3000M: 120 VOLTS (CANADA & USA) ISMR3000M2 : 277 VOLTS (USA) ISMR3000M3 : 347 VOLTS (CANADA)
	Magnetic Transformer EC50M 50 VA 120V / 12V EC50M2 50 VA 277V / 12V EC50M3 50 VA 347V / 12V
	T°C 110°C No 029
	3 3/4" (95 mm)
	E174023

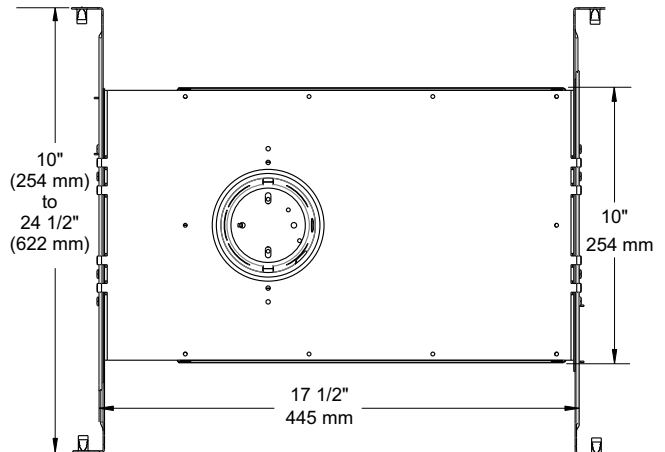


**COMPATIBLES TRIMS**

MR16 20W	MR16 35W			MR16 50W		
R3151W	R3151	S3145D	S3601	R3450D	T3200	T3450
R3651W	R3152	S3151	S3651	R3470	T3250	T3450D
T3185	R3601	S3400	T3152	T3000	T3260	T3450W
T3850	R3601W	S3400D	T3165	T3100	T3300	T3500
	R3602	S3450	T3600	T3125	T3400	T3500D
	R3651	S3450D	T3650	T3145	T3400D	T3500W
	R3652	S3500	T3652	T3145D	T3400W	T3700
	S3145	S3500D	T3800	T3145W		
			T3900			

**TECHNICAL SPECIFICATIONS**

0.021" (0.53 mm) thickness galvanized steel.  
Below-ceiling accessible. Perfect fit into ceiling. No light leakage.  
Hooks PAT#CAN 2,088,648 and #USA 5,377,088.  
Installs to ceilings up to 7/8" (22 mm) thick.



**ORDERING CODE**

Housing type	Series	Transformer	Voltage	Standards compliance
<b>ISMR</b>	<b>3000</b>	<b>M</b>		
Insulated IC rated housing for MR16	3 1/2" 3000 Series	Magnetic transformer	<b>No code</b> 120V/12V (CAN & USA) <b>2</b> 277V/12V (USA) <b>3</b> 347V/12V (CAN)	<b>Option</b> <b>P</b> Complies to Chicago Plenum <b>W</b> Complies to California Title 24



Project \_\_\_\_\_

Representative \_\_\_\_\_