

ECO2REL300-120D

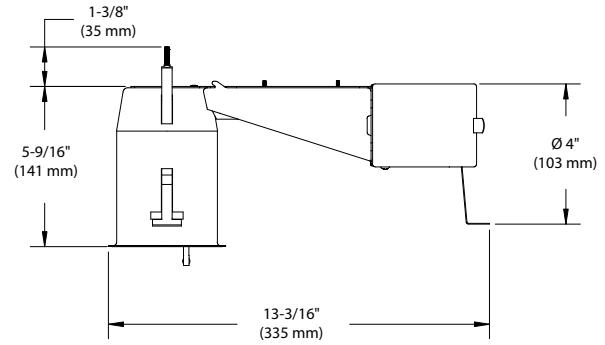
3-1/2" ECO²LED Series

Project	
Notes	
Fixture Type	
Date	

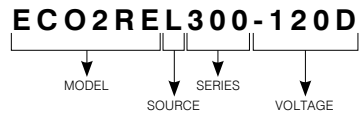
IC and Air Tight Remodel Housing

SPECIFICATIONS

HOUSING DETAILS	Up to 0,051" (1,3 mm) thick galvanized steel housing. Approved for installation in insulated ceilings and in direct contact with insulating material (except polyurethane). Junction box can support up to 10 x 14 gauge wires or 8 x 12 gauge wires. Below-ceiling accessible.
MOUNTING	Cutout diameter: Ø 3-5/8" (92 mm) Can fit ceilings up to 7/8" (22 mm) thick. Requires a 7" clearance beyond the ceiling level. Patented hook (PAT#CAN 2,088,648 and #USA 5,377,088) for ease of installation and a perfect fit to ceiling. No light leakage.
POWER	9W LED driver (9W power consumption)
VOLTAGE	120 Volts
DIMMING	Compatible with Electronic Low Voltage (ELV) dimmers. Due to constant evolution of associated dimmers we must test them regularly. We invite you to consult frequently our Web site to find our dimmer compatibility list: www.contrastlighting.com
COMPATIBLE TRIMS	ECO2L3A ECO2L3B ECO2L3C ECO2L3D
CERTIFICATION	<ul style="list-style-type: none"> cULus E343977 for damp locations; wet with shower trim only. Title 24 ASTM E283
WARRANTY	5 years on LED driver



CODIFICATION EXAMPLE



ORDERING CODE

MODEL	SOURCE	SERIES	VOLTAGE
ECO2RE	L	300	-120D
ECO2RE Remodel	L LED	300 300 Series	-120D 120V Compatible Dimming

