

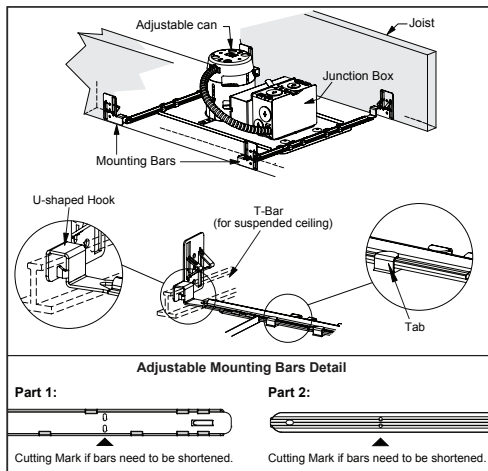
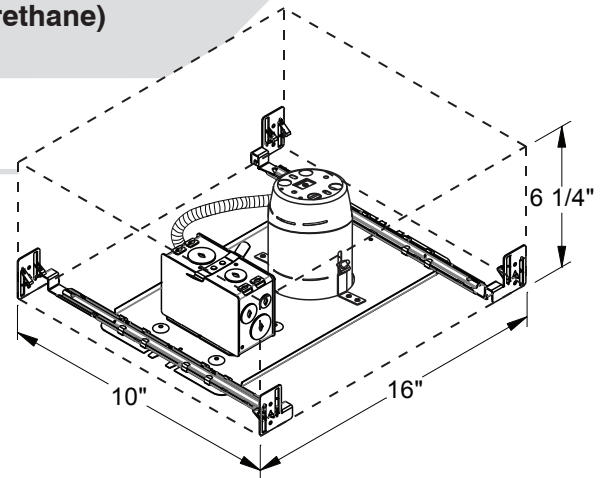
# INSTALLATION INSTRUCTIONS

## « IC » Airtight ECO<sup>2</sup>LED New Construction Housings (except polyurethane)

FOR USE IN INSULATED CEILING - SUITABLE FOR DAMP LOCATION

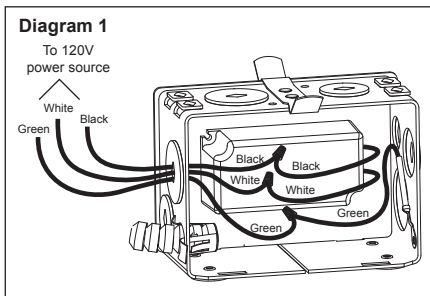
ECO2NWL200, ECO2NWL200-120D, ECO2NWL200-277,  
ECO2NWL300, ECO2NWL300-120D, ECO2NWL300-277

1. SHUT OFF ELECTRICAL SUPPLY AT SOURCE.
2. Locate position of mounting frames and install before the gypsum board. Fasten the mounting frame to the wood joist (or other ceiling type) with the adjustable mounting bars (10" to 24,5"). To shorten the bars to 10", remove bars and cut off at the knotch (See adjustable mounting bars detail view).
3. Once the correct bar length is known, fold down and press tabs to lock the plate to the mounting bars. Using pliers, tighten the U-shaped hooks on the T-bars.



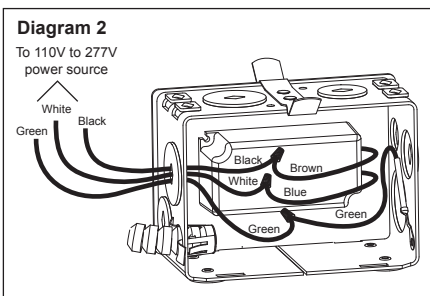
4. Bring the electrical wiring to the housing junction box as per applicable local electrical codes.
5. Open the junction box and connect the wires (**Diagram 1** - Black/Black, White/White and Green/Green) or (**Diagram 2** - Black/Brown, White/Blue and Green/Green). Before closing the junction box, be sure to pull the wire feeding the trim outside the pot, then close the junction box.

### ECO2NWL200-120D and ECO2NWL300-120D



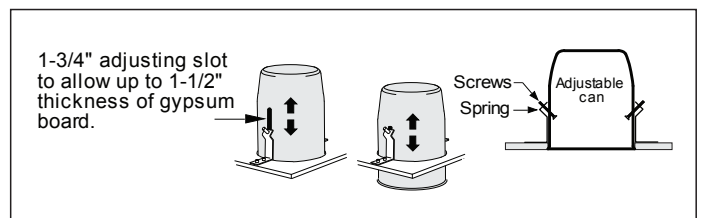
Compatible with ELV dimmers. Consult our Web site for compatible dimmer list.

### ECO2NWL200, ECO2NWL200-277, ECO2NWL300 and ECO2NWL300-277



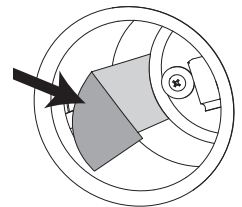
No compatible dimming.

6. Install the ceiling material and locate the center of mounting plate on the ceiling material.
7. Cut a hole to a diameter of:  
**200 Series: Ø 4-1/4" (108 mm)**  
**300 Series: Ø 3-5/8" (92 mm)**
8. Adjust the height of the can with the adjustment screws so that the lip is even with the ceiling.



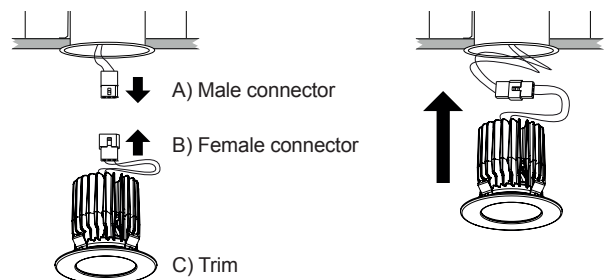
### INSTALLATION OF ALUMINUM TAPE

9. Remove the film on the back of the included aluminum tape.
10. Apply the aluminum tape inside the can covering entirely the hook openings on both sides of the can.
11. Complete installation



Connect the male and female connectors.

Push connected wires in the pot then push the trim in the can



Please keep these installation instructions for future maintenance.



**CAUTION** The use of another company's (non-Contrast) products or components in conjunction with Contrast products may not be covered by UL approvals, and could be hazardous. Such use automatically voids all Contrast warranties and responsibility for any problems that may result from such use.



**WARNING SHOCK AND FIRE HAZARD**  
Most dwellings built before 1985 have supply wires rated 60°C.  
Consult a qualified electrician before installing.

Due to constant evolution of dimmers we must test them regularly.  
We invite you to consult frequently our Web site to find our dimmer compatibility list: [www.contrastlighting.com](http://www.contrastlighting.com)

WARRANTY: CONTRAST LIGHTING M. L. INC. guarantees the components against manufacturing defects for a period of one (1) year, under normal use with proof of purchase. The obligation of the manufacturer consists in the cost of the components and does not cover the cost of labor and transport for replacement. For all claims, please contact your local supplier. See our Web site for additional warranty details. Note: 5 year warranty on driver and LED module.