

# ECO2ISL300-120D

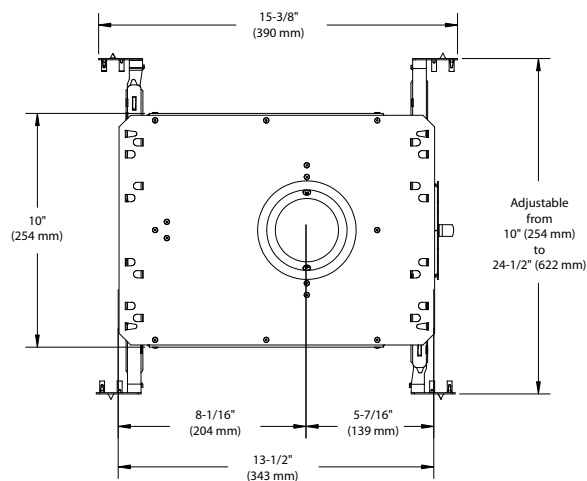
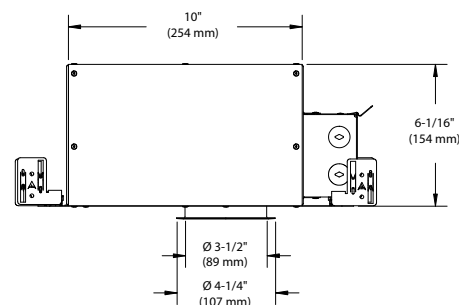
3-1/2" ECO<sup>2</sup>LED Series

## IC and Air Tight Box

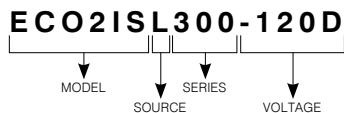
Project	
Notes	
Fixture Type	
Date	

### SPECIFICATIONS

HOUSING DETAILS	<p>Up to 0,051" (1,3 mm) thick galvanized steel housing with integrated "IC" box.</p> <p>Approved for installation in insulated ceilings and in direct contact with insulating material (except polyurethane).</p> <p>Junction box can support up to 10 x 14 gauge wires or 8 x 12 gauge wires.</p> <p>Below-ceiling accessible.</p> <p>Available with a specific "Chicago Plenum" junction box (optional).</p>
MOUNTING	<p><b>Cutout diameter: Ø 3-5/8" (92 mm)</b></p> <p>Can fit ceilings up to 1-1/2" (38 mm) thick.</p> <p>Requires a 7" clearance beyond the ceiling level.</p> <p>Contrast hooks for ease of installation and a perfect fit to ceiling.</p> <p>Mounting bars extend from 10" (254 mm) to 24-1/2" (622 mm) to fit in most ceilings.</p> <p>No light leakage.</p>
POWER	9W LED driver (9W power consumption)
VOLTAGE	120 Volts
DIMMING	<p>Compatible with Electronic Low Voltage (ELV) dimmers.</p> <p>Due to constant evolution of associated dimmers we must test them regularly.</p> <p>We invite you to consult frequently our Web site to find our dimmer compatibility list: <a href="http://www.contrastlighting.com">www.contrastlighting.com</a></p>
COMPATIBLE TRIMS	<p>ECO2L3A</p> <p>ECO2L3B</p> <p>ECO2L3C</p> <p>ECO2L3D</p>
CERTIFICATION	<ul style="list-style-type: none"> <li>cULus <b>E343977</b> for damp locations; wet with shower trim only</li> <li>Title 24</li> <li>ASTM E283</li> </ul>
WARRANTY	5 years on LED driver



### CODIFICATION EXAMPLE



### ORDERING CODE

MODEL	SOURCE	SERIES	VOLTAGE
<b>ECO2IS</b>	<b>L</b>	<b>300</b>	<b>-120D</b>
<b>ECO2IS</b>	IC and Air Tight Box	<b>L</b> LED <b>300</b> 300 Series	<b>-120D</b> 120V Compatible dimming

