

Concerto LED - LD2E

4" Series

Low Profile Square Adjustable Regressed Trim

DESCRIPTION

This series of adjustable round or square trims, offers a reflector and recessed lamp for a more discreet ambient lighting and visual comfort.

SPECIFICATIONS

COLOR TEMPERATURE	2,700K, 3,000K, 3,500K and 4,000K
CRI	80 + 90 + (only at 3,000K)

POWER SUPPLY	Several driver models available giving you 3 dimming options: ELV, 0-10V or Pulse Width Modulation (PWM).
--------------	---

LED MODULE	Bridgelux Vero 18, delivers a lumen maintenance greater than 70% after 50,000 hours of operation (L ₇₀). Provides a high quality true color and a clean white light without hot spots. Binning within 3 steps on MacAdam ellipse. Surpass ANSI binning requirements.
------------	--

DELIVERED LUMENS (Determined by the choice of housing)	Performance 1: 1,070 lumens, 69 lm/W Performance 2: 1,485 lumens, 65 lm/W
---	--

TRIM	Powder coated paint or plated die-formed steel. Different finishes available. Painted finishes available with Marine Grade option.
------	--

OPTIC SYSTEM	Interchangeable optional optical reflectors and lenses available to personalize your lighting. Protection lens covered with a high-performance film 98% effective. Lens of 1/8" (3 mm) thick and 1.9" (49 mm) Ø. Choice of available lenses: Clear (C), Frosted (F), Honeycombs (H), Linear (L), Prismatic (P) and Solite (S) Optical reflectors available: M: Narrow Flood → 27° W: Flood → 48°
--------------	--

AJUSTABILITY	Swivel: 360° 40° tilt and with locking position. Choose aiming angle then tighten screws to lock into position.
--------------	---

HEAT SINK	High quality aluminum injected heat sink ensuring maximum heat dissipation.
-----------	---

REFLECTOR	Anodized	Painted	
	Natural Anodized (AN)	White (01)* Black (02) Architectural Bronze (05)*	Antique Copper (06)* Matte White (11)* Metallic Grey (15)*
	Specular		
	Specular (SP)		

*These reflector colors are available only with the same trim color.

CEILING CUTOUT	Ø 4-1/4" (108 mm)
----------------	-------------------

COMPATIBLE HOUSINGS	Remodel Housing	New Construction Housing	Insulated Housing	
(Performance 2 trims work with either performance 1 and 2 housings.)	Performance 1 (1,500 lumens)	RELD200LE1 RELD200LD1 RELD200LA1	NWLD200LE1 NWLD200LD1 NWLD200LA1	ISLD200LE1 ISLD200LD1 ISLD200LA1
	Performance 2 (2,000 lumens)	RELD200LE2 RELD200LD2 RELD200LA2	NWLD200LE2 NWLD200LD2 NWLD200LA2	Not Available

For dimming, please refer to the selected housing specification sheet.

CERTIFICATION	• cULus E343977 for damp locations
---------------	------------------------------------

WARRANTY	1 year for standard finishes, 2 years on "Marine Grade" finish and 5 years on LED module.
----------	---

Project _____

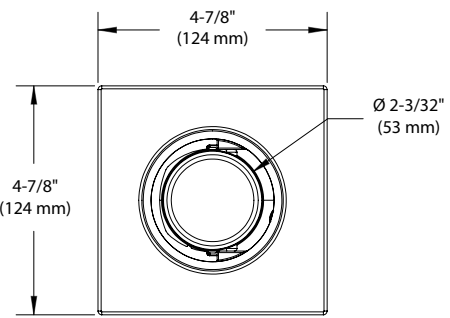
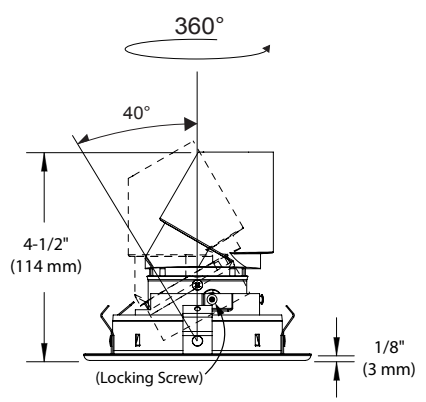
Notes _____

Fixture Type _____

Date _____



LD2EC-12BRSP (illustrated)



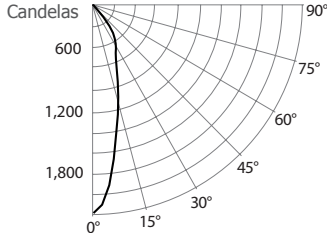
Concerto LED - LD2E

4" Series

PHOTOMETRIC DATA

3,000K, 80 + of CRI, Narrow Flood with performance 1 housing

CANDLEPOWER DISTRIBUTION



LIGHT CONE

Distance	FC	DIA
06'	59.9	2.9'
08'	33.7	3.9'
10'	21.6	4.9'
12'	15.0	5.9'
14'	11.0	6.8'
16'	8.4	7.8'

Beam: 27°
Beam Edge defined as 50% of Maximum Nadir Candle-power.

LUMINAIRE

Performance 1 LED	3,000K	Narrow Flood
CBCP / Lumens	2,157	/ 928
Watts	120V	277V
	15.9W	16.4W
Operating AMPS	0.13A	0.058A
Lumen Maintenance	L70 @ 50,000 Hrs	
CRI	80 +	
Lumens/Watt	58	
Spacing Criteria	0.4	
Certificate LM79-08	Based on test 475807	

COEFFICIENT OF UTILIZATION - %

Ceiling Reflect %	80	50	30				
Wall Reflect %	50	30	50	30	50	30	
RCR	0	119	119	111	111	106	106
	2	107	104	102	100	99	97
	4	97	93	94	90	92	89
	6	88	84	86	83	85	82
	8	80	76	79	75	78	74
	10	73	69	72	68	71	68

Zonal Cavity Method
Effective Floor Cavity Reflectance 20%

ZONAL LUMEN SUMMARY

ZONE	LUMENS	%LUMINAIRE
0-30	691	74.43%
0-40	898	96.78%
0-60	927	99.88%
60-90	1	0.12%
0-90	928	100%

MULTIPLE UNIT DATA - (RCR 2)

SPACING ON CENTER	INITIAL FOOTCANDLES	WATTS/SQ. FT.
5'	45	0.7
6'	25	0.4
7'	18	0.28
8'	18	0.28
9'	11	0.18

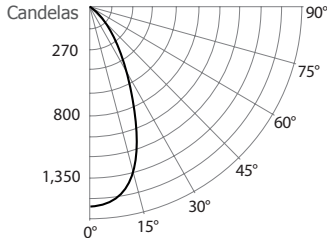
Local 38' x 38' x 10'. Workplan located 2 1/2' (30°).
Reflection factor of 80%/50%/30%.

CANDELAS DISTRIBUTION

DEGREES/VERTICAL	CANDELAS	DEGREES/VERTICAL	CANDELAS
0	2,157	45	12
5	1,879	55	1
10	1,356	65	1
15	987	75	0
20	700	85	0
25	547	90	0
35	354		

3,000K, 80 + of CRI, Flood with performance 1 housing

CANDLEPOWER DISTRIBUTION



LIGHT CONE

Distance	FC	DIA
06'	42.1	5.3
08'	23.7	7.1
10'	15.2	8.9
12'	10.5	10.7
14'	7.7	12.5
16'	5.9	14.3

Beam: 48°
Beam Edge defined as 50% of Maximum Nadir Candle-power.

LUMINAIRE

Performance 1 LED	3,000K	Flood
CBCP / Lumens	1,515	/ 1,062
Watts	120V	277V
	15.5W	16W
Operating AMPS	0.13A	0.057A
Lumen Maintenance	L70 @ 50,000 Hrs	
CRI	80 +	
Lumens/Watt	69	
Spacing Criteria	0.8	
Certificate LM79-08	Based on test 475809	

COEFFICIENT OF UTILIZATION - %

Ceiling Reflect %	80	50	30				
Wall Reflect %	50	30	50	30	50	30	
RCR	0	119	119	111	111	106	106
	2	107	104	102	99	99	97
	4	97	93	94	90	92	89
	6	88	84	86	82	85	82
	8	80	76	79	75	78	74
	10	73	69	72	68	71	68

Zonal Cavity Method
Effective Floor Cavity Reflectance 20%

ZONAL LUMEN SUMMARY

ZONE	LUMENS	%LUMINAIRE
0-30	811	76.30%
0-40	1,025	96.50%
0-60	1,059	99.60%
60-90	4	0.40%
0-90	1,062	100%

MULTIPLE UNIT DATA - (RCR 2)

SPACING ON CENTER	INITIAL FOOTCANDLES	WATTS/SQ. FT.
5'	52	0.69
6'	29	0.39
7'	20	0.27
8'	20	0.27
9'	13	0.17

Local 38' x 38' x 10'. Workplan located 2 1/2' (30°).
Reflection factor of 80%/50%/30%.

CANDELAS DISTRIBUTION

DEGREES/VERTICAL	CANDELAS	DEGREES/VERTICAL	CANDELAS
0	1,515	45	14
5	1,485	55	2
10	1,396	65	2
15	1,250	75	1
20	1,015	85	1
25	700	90	0
35	358		



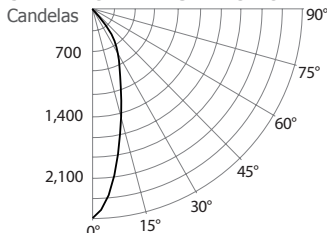
Concerto LED - LD2E

4" Series

PHOTOMETRIC DATA

3,000K, 80 + of CRI, Narrow Flood with performance 2 housing

CANDLEPOWER DISTRIBUTION



LIGHT CONE

Distance	FC	DIA
06'	68.6	3.5'
08'	38.6	4.6'
10'	24.7	5.8'
12'	17.2	6.9'
14'	12.6	8.1'
16'	9.7	9.2'

Beam: 32°
Beam Edge defined as 50% of Maximum Nadir Candle-power.

LUMINAIRE

Performance 2 LED	3,000K Narrow Flood	
CBCP / Lumens	2,471 / 1,247	
Watts	120V	277V
	23.1W	23.6W
Operating AMPS	0.19A	0.085A
Lumen Maintenance	L70 @ 50,000 Hrs	
CRI	80 +	
Lumens/Watt	54	
Spacing Criteria	0.5	
Certificate LM79-08	Based on test 606972	

COEFFICIENT OF UTILIZATION - %

Ceiling Reflect %	80			50			30		
Wall Reflect %	50	30	50	30	50	30	50	30	50
RCR	0	119	119	111	111	106	106	106	106
	2	107	103	101	99	99	97	97	97
	4	96	92	93	90	91	89	89	89
	6	88	83	86	82	84	81	81	81
	8	79	75	78	74	77	73	73	73
	10	72	67	71	67	70	66	66	66

Zonal Cavity Method
Effective Floor Cavity Reflectance 20%

ZONAL LUMEN SUMMARY

ZONE	LUMENS	%LUMINAIRE
0-30	914	73.29%
0-40	1,190	95.42%
0-60	1,246	99.92%
60-90	1	0.08%
0-90	1,247	100%

MULTIPLE UNIT DATA - (RCR 2)

SPACING ON CENTER	INITIAL FOOTCANDLES	WATTS/SQ. FT.
5'	61	1.02
6'	34	0.58
7'	24	0.4
8'	24	0.4
9'	15	0.26

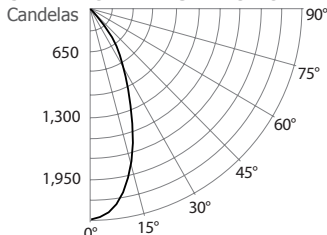
Local 38' x 38' x 10'. Workplan located 2 1/2' (30").
Reflection factor of 80%/50%/30%.

CANDELAS DISTRIBUTION

DEGREES/VERTICAL	CANDELAS	DEGREES/VERTICAL	CANDELAS
0	2,471	45	39
5	2,211	55	1
10	1,747	65	2
15	1,313	75	0
20	986	85	0
25	763	90	0
35	459		

3,000K, 80 + of CRI, Flood with performance 2 housing

CANDLEPOWER DISTRIBUTION



LIGHT CONE

Distance	FC	DIA
06'	64.6	4.9'
08'	36.3	6.6'
10'	23.2	8.2'
12'	16.1	9.9'
14'	11.9	11.5'
16'	9.1	13.2'

Beam: 45°
Beam Edge defined as 50% of Maximum Nadir Candle-power.

LUMINAIRE

Performance 2 LED	3,000K Flood	
CBCP / Lumens	2,324 / 1,484	
Watts	120V	277V
	23W	23.5W
Operating AMPS	0.19A	0.084A
Lumen Maintenance	L70 @ 50,000 Hrs	
CRI	80 +	
Lumens/Watt	64	
Spacing Criteria	0.7	
Certificate LM79-08	Based on test 606974	

COEFFICIENT OF UTILIZATION - %

Ceiling Reflect %	80			50			30		
Wall Reflect %	50	30	50	30	50	30	50	30	50
RCR	0	119	119	111	111	106	106	106	106
	2	107	104	102	100	99	97	97	97
	4	97	93	94	91	92	89	89	89
	6	89	84	87	83	85	82	82	82
	8	81	76	79	75	78	75	75	75
	10	74	69	72	68	72	68	68	68

Zonal Cavity Method
Effective Floor Cavity Reflectance 20%

ZONAL LUMEN SUMMARY

ZONE	LUMENS	%LUMINAIRE
0-30	1,139	76.76%
0-40	1,439	96.94%
0-60	1,484	99.95%
60-90	1	0.05%
0-90	1,484	100%

MULTIPLE UNIT DATA - (RCR 2)

SPACING ON CENTER	INITIAL FOOTCANDLES	WATTS/SQ. FT.
5'	72	1.02
6'	41	0.58
7'	28	0.4
8'	28	0.4
9'	18	0.26

Local 38' x 38' x 10'. Workplan located 2 1/2' (30").
Reflection factor of 80%/50%/30%.

CANDELAS DISTRIBUTION

DEGREES/VERTICAL	CANDELAS	DEGREES/VERTICAL	CANDELAS
0	2,324	45	20
5	2,255	55	1
10	2,058	65	1
15	1,743	75	0
20	1,347	85	0
25	980	90	0
35	499		

Concerto LED - LD2E

4" Series

LD2E MODEL PHOTOMETRIC DATA

With performance 1 housing

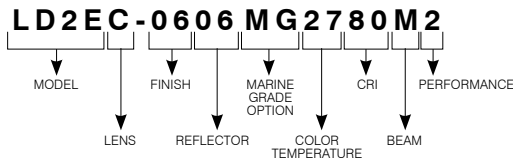
	Narrow Flood		Flood	
2,700K with 80 CRI	1,102 Lms	70.8 lm/W	927 Lms	59 lm/W
3,000K with 90 CRI	806 Lms	51 lm/W	815 Lms	51.6 lm/W
3,500K with 80 CRI	1,047 Lms	66.3 lm/W	1,124 Lms	71.6 lm/W
4,000K with 80 CRI	1,122 Lms	71 lm/W	1,246 Lms	78.6 lm/W

With performance 2 housing

	Narrow Flood		Flood	
2,700K with 80 CRI	1,302 Lms	60.6 lm/W	1,550 Lms	68.9 lm/W
3,000K with 90 CRI	1,061 Lms	49.3 lm/W	1,140 Lms	53 lm/W
3,500K with 80 CRI	1,352 Lms	62.9 lm/W	1,530 Lms	71.2 lm/W
4,000K with 80 CRI	1,454 Lms	64.1 lm/W	1,701 Lms	74.9 lm/W

* All .ies files are available on our Website.

CODIFICATION EXAMPLE



ORDERING CODE

MODEL	LENS	FINISH	REFLECTOR	MARINE GRADE	COLOR TEMPERATURE	CRI	BEAM	PERFORMANCE
LD2E								2
LD2E	C Clear	-01 White	ANODIZED	MG (optional)	27 2,700K	80 80+ CRI	M Narrow	2 Use with Performance 1 (1,500 lumens) or Performance 2 (2,000 lumens) Housings
	F Frosted	-02 Black	AN Natural Anodized	May be	30 3,000K	90 90+ CRI	Flood	
	H Honeycombs	-03 Gold Plated 24K		applied on	35 3,500K	(only with 3,000K)	(27°)	
	L Linear	-04 Chrome	SPECULAR	finishes: -01,	40 4,000K		W Flood	
	P Prismatic	-04BR Brushed Chrome	SP Specular	-02, -05, -06,		(48°)		
	S Solite	-05 Architectural Bronze		-11 and -15				
		-06 Antique Copper	PAINTED					
		-11 Matte White	01 White*					
		-12BR Brushed Nickel	02 Black					
		-13 Satin Nickel	05 Architectural Bronze*					
		-15 Metallic Grey	06 Antique Copper*					
		-17 Antique Nickel	11 Matte White*					
			15 Metallic Grey*					

*These reflector colors are available only with the same trim color.

For future on site modification of the light distribution.

Ordering codes: replacement lenses and reflectors.

Lenses (to modify light diffusion)

Linear: **103092** Honeycombs: **103089**
 Solite: **103098** Frosted: **316228**
 Prismatic: **103095** Clear: **103584**

Reflectors (to modify the beam angle)

For a Narrow Flood: **316082**
 For a Flood: **316211**

MARINE GRADE - Unless otherwise indicated, trims are for interior, cold and exterior locations where fixtures are not subject to direct rain or snow exposure as in soffits. **MARINE GRADE** treatment is recommended for exterior, shower and high salinity environment.

