

# IT3000T-LED

3-1/2" 3000 Series - Evolution LED

## IC Air Tight Remodel Housing for GU10 LED Lamp

Project	
Notes	
Fixture Type	
Date	

### SPECIFICATIONS

**HOUSING DETAILS** 18 gauge 0.051" (1.3 mm) thickness galvanized steel  
Approved for use in insulated ceilings in direct contact with the insulation material (except polyurethane).  
Air Tight.  
Flexible channel wire bracket (Patent Pending) made of 20 gauge steel, bending up to 45° vertically for ease of installation in confined spaces.  
Junction box can support up to 10 – 14 gauge wires or 8 – 12 gauge wires.  
Below-ceiling accessible.

**MOUNTING** **Cutout diameter: Ø 3-5/8" (92 mm)**  
Can fit in ceilings up to 7/8" (22 mm) thick.  
Requires a 6" (152 mm) clearance beyond the ceiling level.  
Patented hook (PAT#CAN 2.088.648 and #USA 5.377.088) for ease of installation and a perfect fit to ceiling.  
No light leakage.

**LAMP** **GU10 LED 9.8W MAX**  
This product was designed for GU10 LED lamp. If you want to use a dimmer, please refer regularly to the lamp manufacturer dimmer compatibility list.

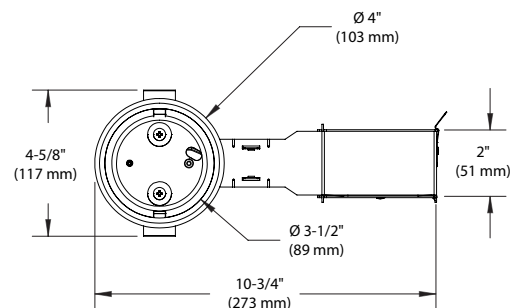
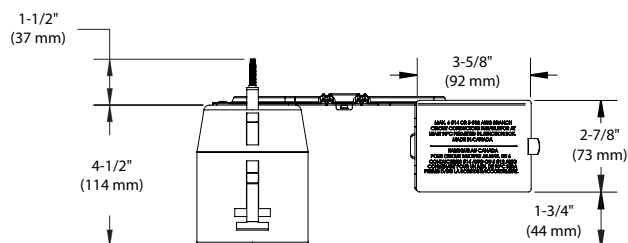
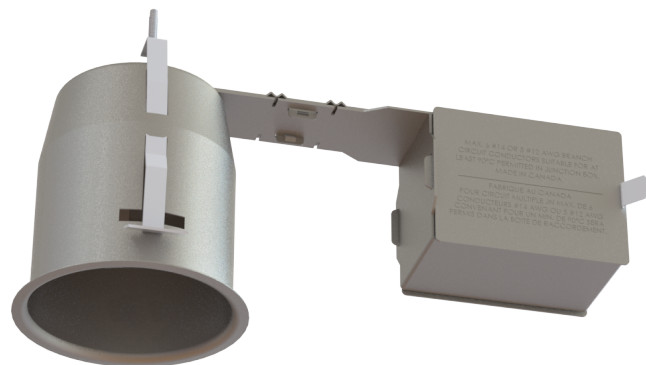
**VOLTAGE** 120 Volts

COMPATIBLE TRIMS	R3151	S3400	T3145W	T3400
	R3151W	S3450	T3152	T3400D
	R3152	S3450D	T3165	T3450
	R3171	T3000	T3185	T3450D
	R3450D	T3100	T3200	T3450W
	R3470	T3125	T3250	T3650
	R3652	T3145	T3250DG	T3652
	S3145	T3145D	T3260	T3850
	S3151	T3145DG	T3300	

**THERMAL PROTECTION** TC 194°F (90°C)

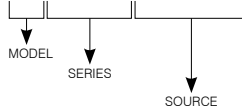
**CERTIFICATION**

- cULus **E343977** for damp locations
- Certified Air Tight ASTM E283



### CODIFICATION EXAMPLE

**IT3000T-LED**



### ORDERING CODE

MODEL	SERIES	SOURCE
<b>IT</b>	<b>3000</b>	<b>T-LED</b>
IT Remodel	3000 3-1/2" Series	T-LED GU10 LED Lamp

