

NW3000T-LED

3-1/2" 3000 Series - Evolution LED

IC Air Tight New Construction Housing for GU10 LED Lamp

Project _____

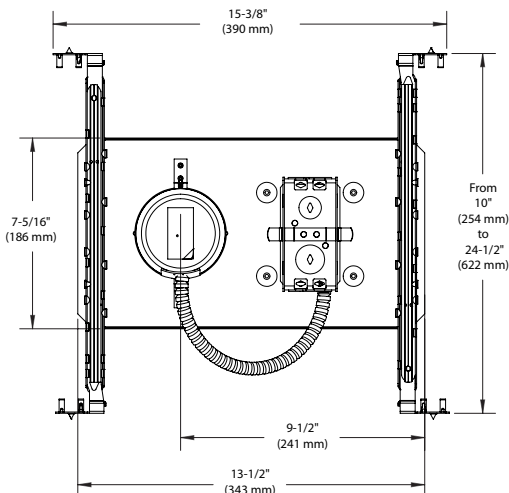
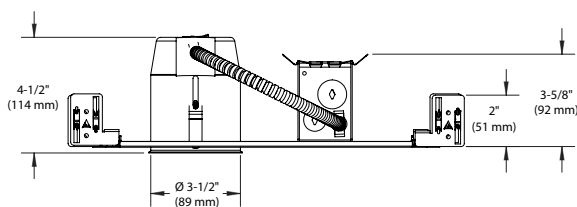
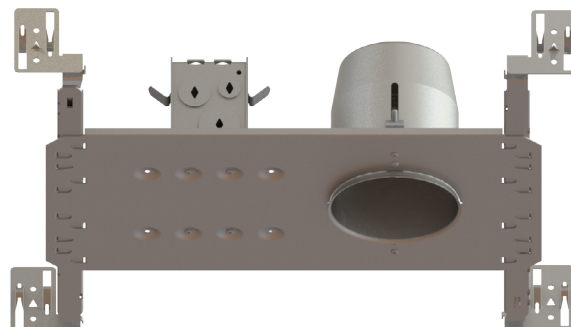
Notes _____

Fixture Type _____

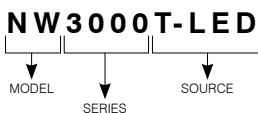
Date _____

SPECIFICATIONS

HOUSING DETAILS	18 gauge 0,051" (1,3 mm) thickness galvanized steel. Approved for installation in insulated ceiling with direct contact to insulating material (except polyurethane). Air Tight. Junction box can support up to 10 – 14 gauge wires or 8 – 12 gauge wires. Below-ceiling accessible.			
MOUNTING	Cutout diameter: Ø 3-5/8" (92 mm) Can fit in ceilings up to 1-1/2" (38 mm) thick. Requires a 4-1/2" (114 mm) clearance beyond the ceiling level. Contrast hooks for ease of installation and a perfect fit to ceiling. Mounting bars extend from 10" (254 mm) to 24-1/2" (622 mm) to fit in most ceiling structures (compatible with suspended ceilings). No light leakage.			
LAMP	GU10 LED 9,8W MAX This product was designed for GU10 LED lamp. If you want to use a dimmer, please refer regularly to the lamp manufacturer dimmer compatibility list.			
VOLTAGE	120 Volts			
COMPATIBLE TRIMS	R3151 R3151K R3151W R3151WK R3152 R3171 R3450D R3470 R3652 S3145	S3151 S3400 S3450 S3450D T3000 T3100 T3125 T3145 T3145D T3145DG	T3145W T3152 T3165 T3185 T3200 T3250 T3250DG T3260 T3300 T3400	T3400D T3450 T3450D T3450K T3450W T3650 T3652 T3850
THERMAL PROTECTION	TC 194°F (90°C)			
CERTIFICATION	<ul style="list-style-type: none"> cULus E343977 for damp locations Certified Air Tight ASTM E283 			



CODIFICATION EXAMPLE



ORDERING CODE

MODEL	SERIES	SOURCE
NW	3000	T-LED
NW New Construction	3000 3-1/2" Series	T-LED GU10 LED Lamp

