

INSTALLATION INSTRUCTIONS

Insulated Housing «IC» (except polyurethane)

FOR INSTALLATION IN INSULATED CEILING - SUITABLE FOR DAMP LOCATION

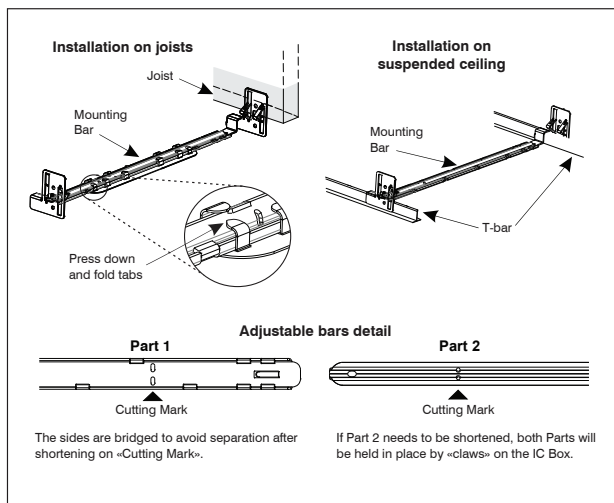
ISMR7000M35 - ISMR7000M352 - ISMR7000M353

WARNING - FIRE HAZARD

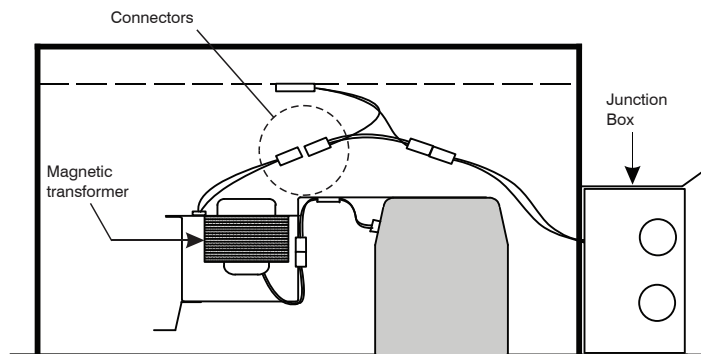
Only magnetic low voltage dimmers are approved for use with MR16 and LED MR16 lamps in Contrast lighting products with a magnetic transformer.

The use of any other dimmer may cause a fire.

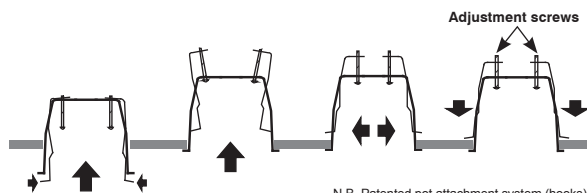
1. **SHUT OFF THE ELECTRICAL SUPPLY AT SOURCE.**
2. Pull out the adjustable can from the insulated housing and make sure that the wire connector is unplugged before pulling it down.
3. Locate position of fixtures and fasten the mounting frame to joists (or ceiling T-bars) with adjustable mounting bars 10" (254 mm) to 24-1/2" (622 mm).
4. To shorten bars to 10" (254 mm), remove the bars and cut off at the notch. When the correct bar length is set, fold down and press tabs to lock the plate onto the mounting bars. Tighten the two locking screws located on the mounting bars to lock the housing in place.



8. Identify the position of the fixtures centered with the opening of the mounting frame and make openings on ceiling, cut a hole:
7000 Series: Ø 4-5/16" (109 mm)
9. Connect the pot and junction box connectors.



10. Insert the pot and transformer assembly into the mounting frame, pushing the fastening hooks through the lateral openings.
11. Secure the fixture to ceiling with the two adjusting screws.



N.B. Patented pot attachment system (hooks):
Canada CA 2088648; USA 5,377,088

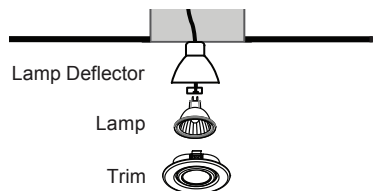
5. Open the junction box. Connect supply and ground wires with the enclosed plastic connectors, matching the colors together (Black/Black, White/White and Green/Green).

IMPORTANT : Leave an extra length of at least 10" po of supply leads and ground wire inside the junction box.

6. Close the box.
7. Close the ceiling.

12. Insert the lamp in the socket, push the lamp deflector on the lamp, fix lamp in trim and fix trim to pot.

***Use supplied glass lens only with unprotected MR16 lamps.**



Please keep these instructions for maintenance reference.



WARNING

The use of other company's (non-Contrast) products or components (e.g. trims) in conjunction with Contrast products may not be covered by UL approvals, and could be hazardous. Such use automatically voids all Contrast warranty and responsibility from any problems that may result from such use.



WARNING

SHOCK AND FIRE HAZARD

Most dwellings built before 1985 have supply wires rated 60°C. Consult a qualified electrician before installing.



It is very important not to exceed the lamp wattage indicated.

WARRANTY: CONTRAST LIGHTING M. L. INC. guarantees the components against manufacturing defects for a period of one (1) year, under normal use with proof of purchase. The obligation of the manufacturer consists in the cost of the components and does not cover the cost of labor and transport for replacement. For all claims, please contact your local supplier. See our Web site for additional warranty details.

CONTRAST
LIGHTING

CONTRAST LIGHTING M. L. INC.
1009 RUE DU PARC-INDUSTRIEL
LÉVIS QC G6Z 1C5
CANADA

Tel: 1-888-839-4624
Fax: 1-877-839-7057
info@contrastlighting.com
www.contrastlighting.com

PRINTED IN CANADA

© 2015 Contrast Lighting M.L. Inc.
All rights reserved
EC627 (Rev. C) - 103423
2015-03